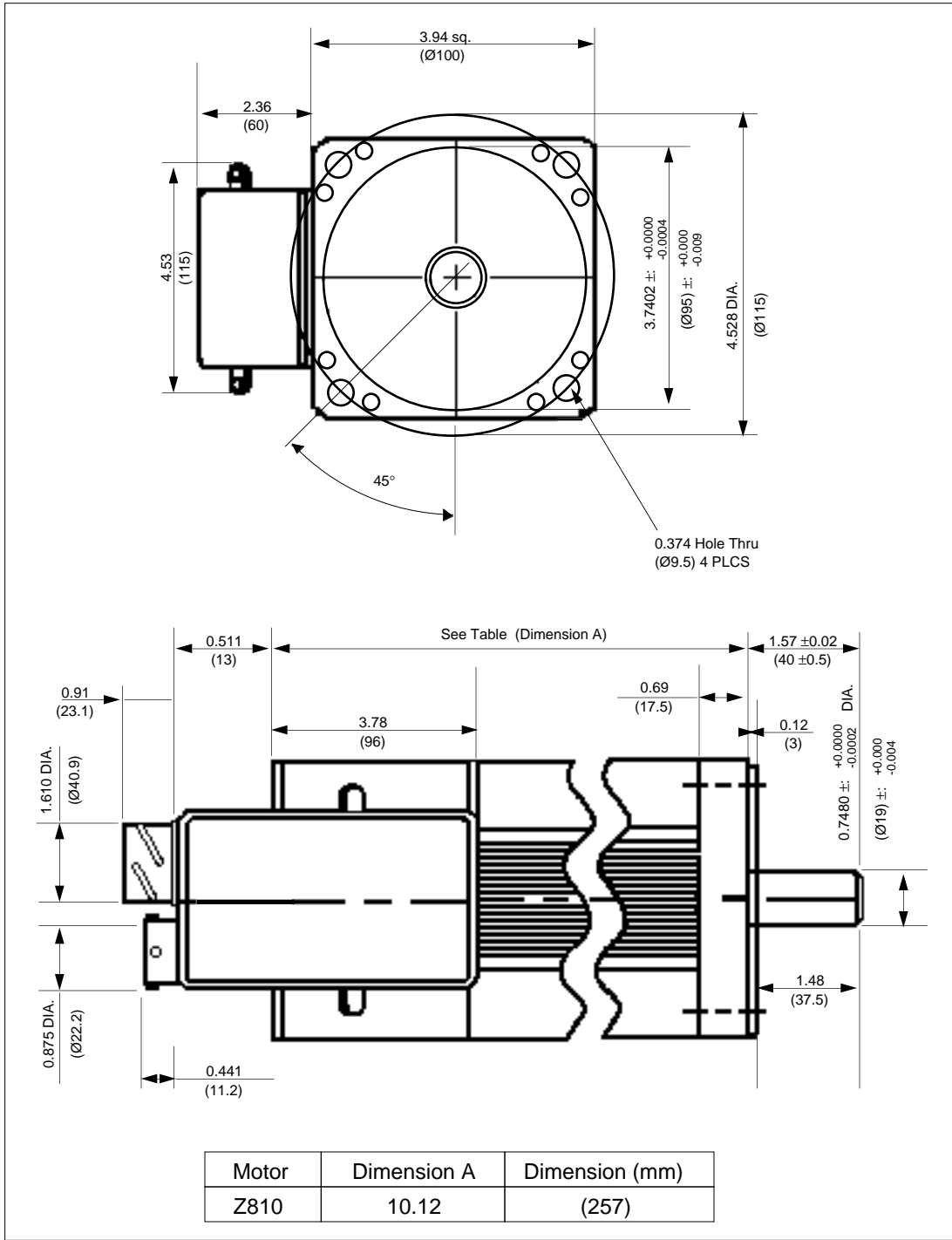
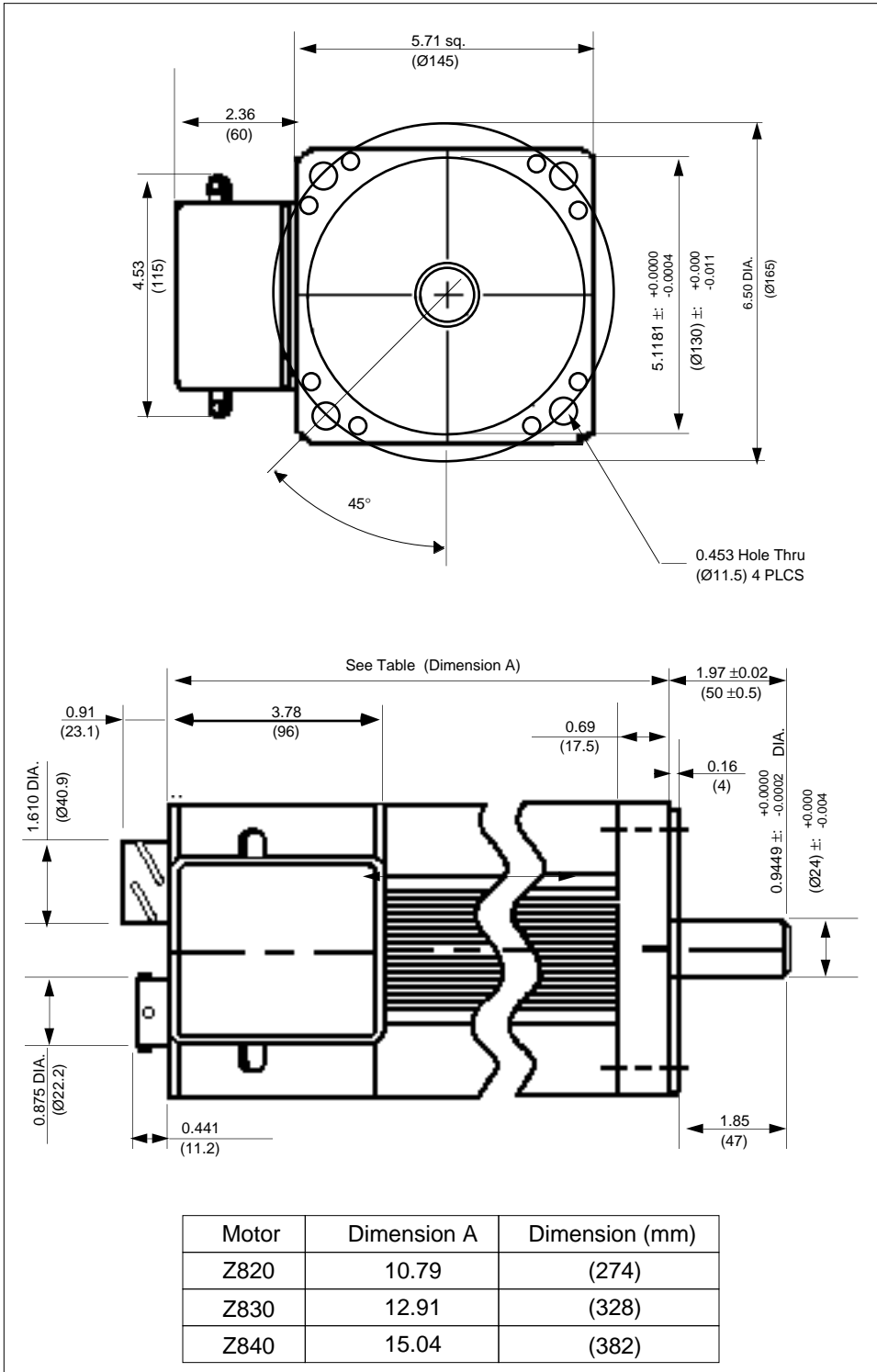


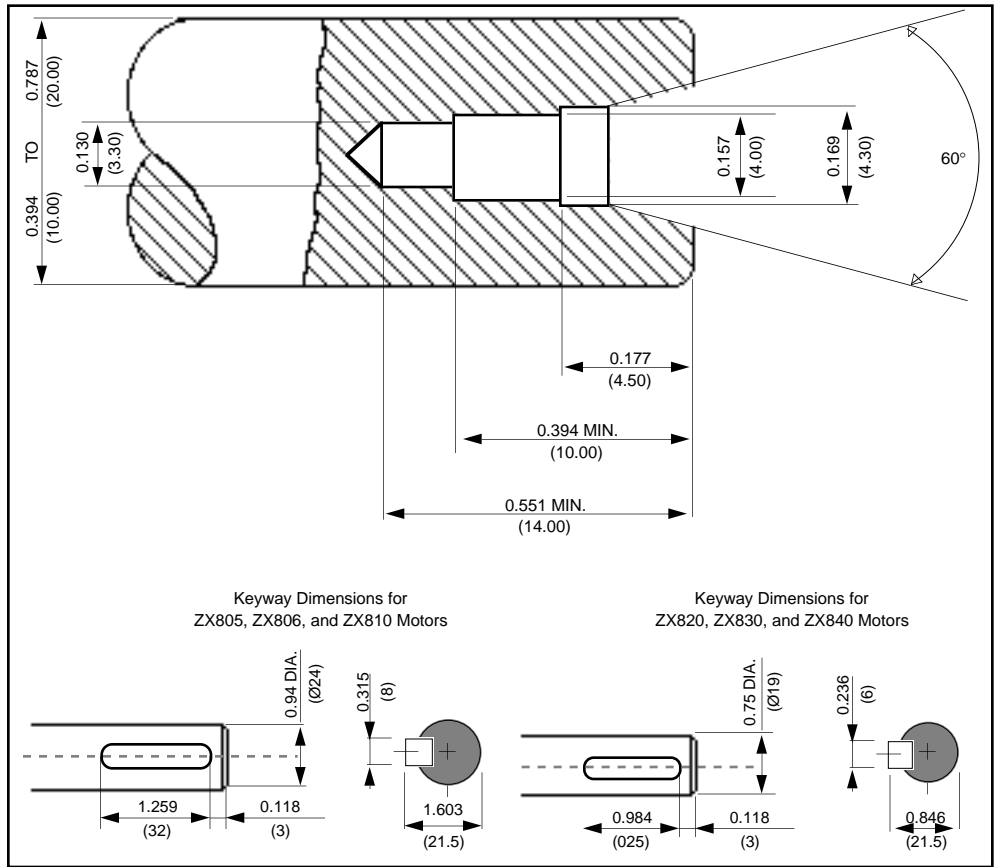
Z805 & 806 Motor Dimensions



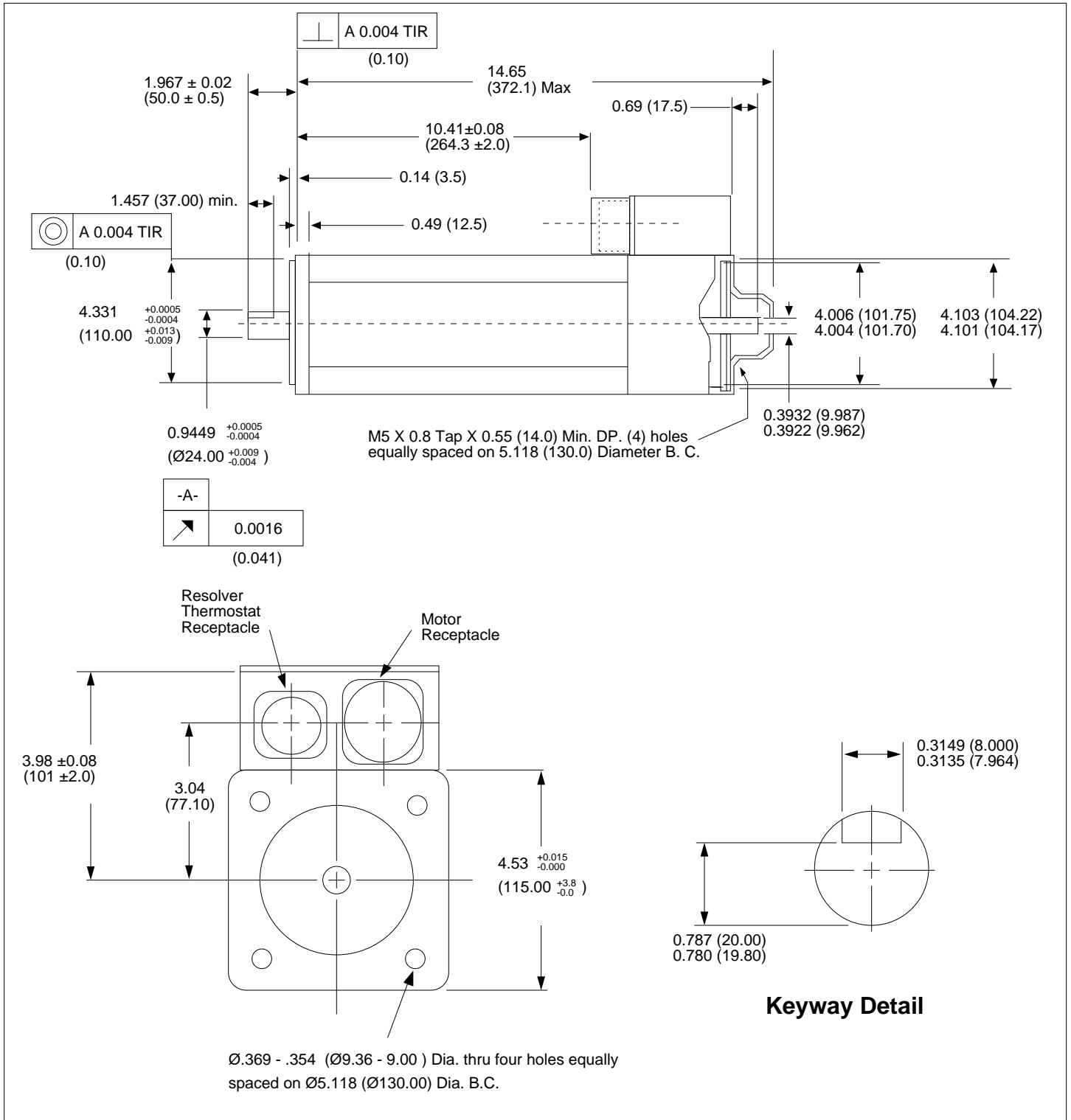
Z810 Motor Dimensions



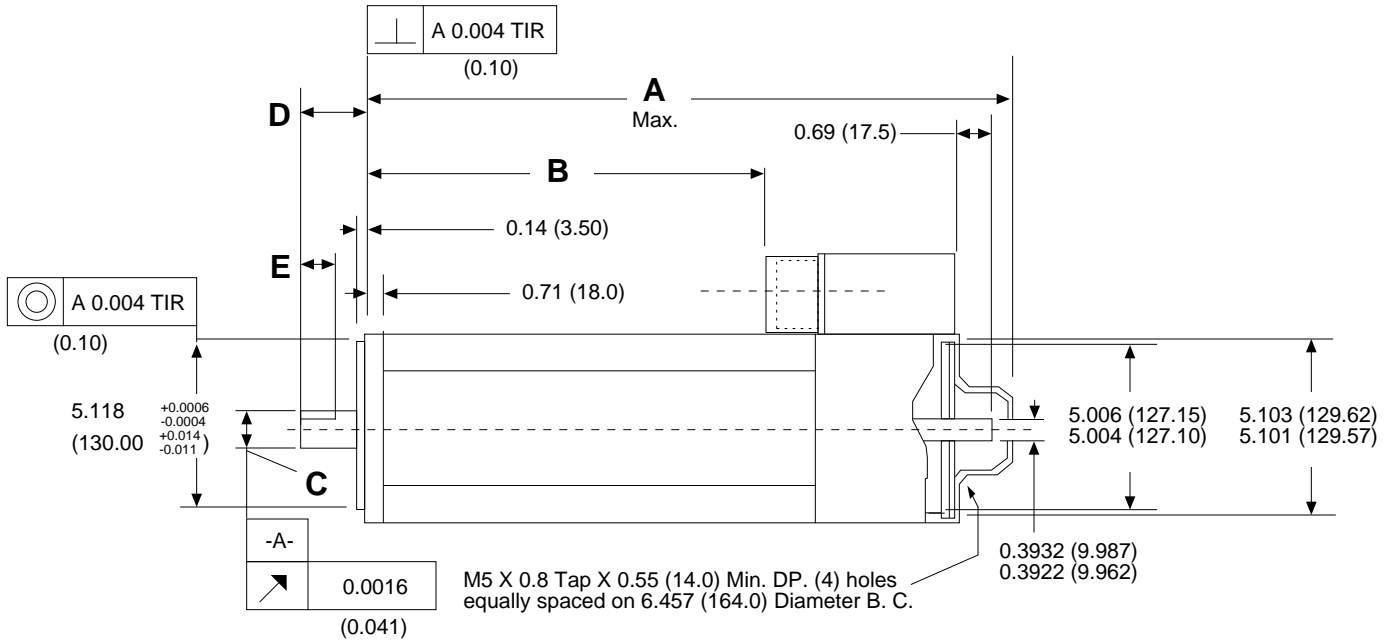
Z820, 830, & 840 Motor Dimensions



Z800 Motor Shaft Dimensions

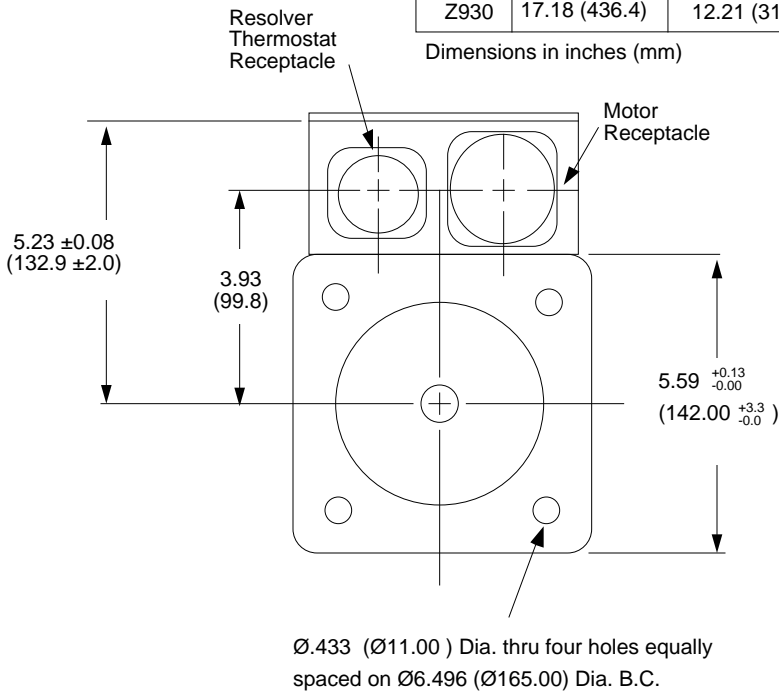


Z910 Motor Dimensions

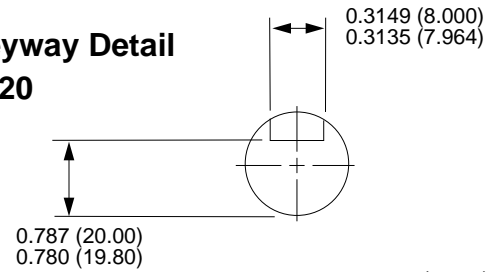


Motor	A Max	B ± 0.08 (2.0)	C $\begin{matrix} +.0005 (.009) \\ -.0004 (.004) \end{matrix}$	D $\begin{matrix} +.02 (.50) \\ -.02 (.50) \end{matrix}$	E Min.
Z920	14.48 (367.8)	8.17 (207.6)	.9449 (24.00)	1.967 (50.00)	1.457 (37.00)
Z930	17.18 (436.4)	12.21 (310.36)	1.260 (32.00)	3.00 (76.20)	2.457 (62.50)

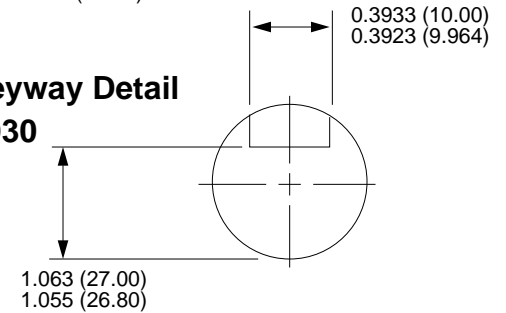
Dimensions in inches (mm)



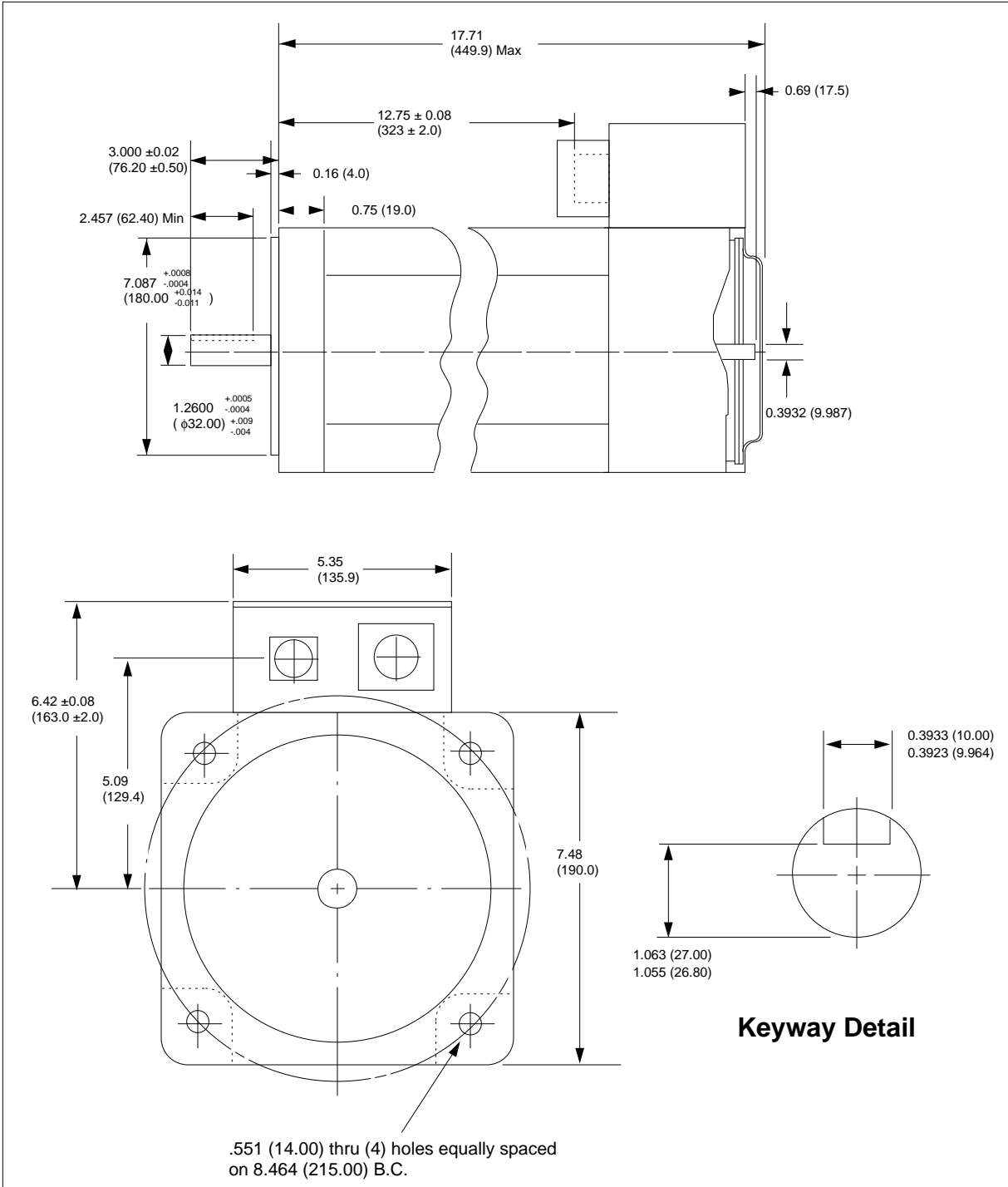
Keyway Detail Z920



Keyway Detail Z930



Z920 & Z930 Motor Dimensions



Z940 Motor Dimensions