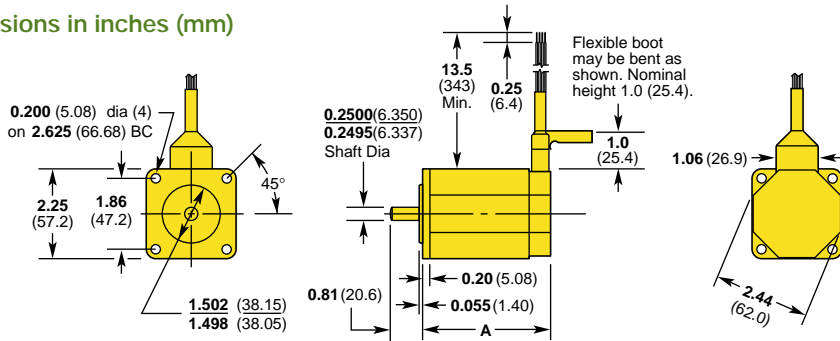


Stepper Motor Dimensions

Size 23 Frame, O Series

Dimensions in inches (mm)



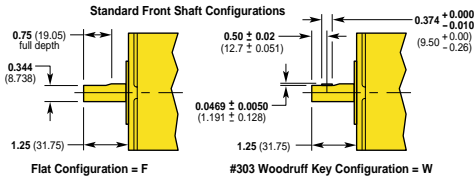
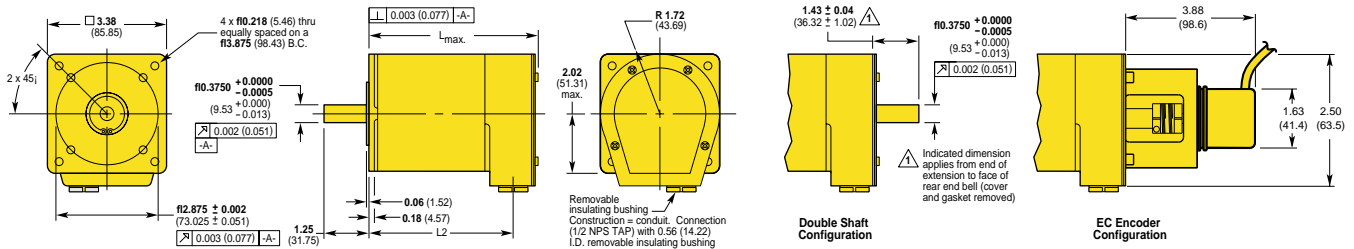
Frame Size 23

Model	A
OS2HA (OEM57-40)	1.60 (40.6)
OS21A (OEM57-51)	2.06 (52.3)
OS22A (OEM57-83)	3.10 (78.7)

Dimensions in inches (millimeters)

Size 34 Frame, R Series

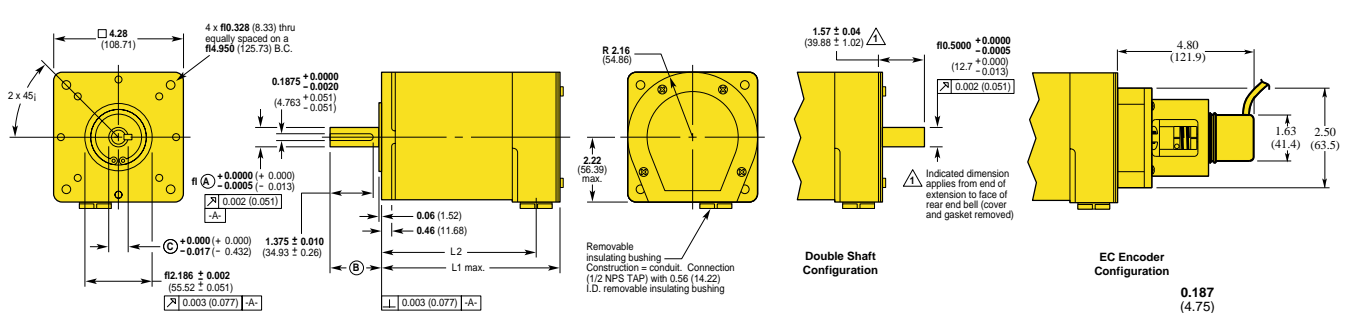
Dimensions in inches (mm)



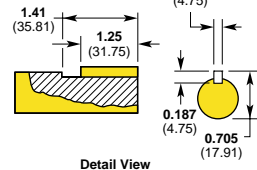
Model	Lmax	L2
RS31□-□□□NPS	3.62 (91.95)	2.87 (72.9)
RS32□-□□□NPS	4.77 (121.16)	4.02 (102.11)
RS33□-□□□NPS	6.05 (153.67)	5.30 (134.62)

Size 42 Frame, R Series

Dimensions in inches (mm)



Model	Lmax	L2	A	B	C
RS42□-□□□NPS	8.04 (204.22)	7.29 (185.17)	0.625 (15.87)	2.19 (55.63)	0.705 (17.91)
RE42□-□□□NPS	8.04 (204.22)	7.29 (185.17)	0.625 (15.87)	2.19 (55.63)	0.705 (17.91)
RE43C-□□□NPS	10.56 (268.23)	9.81 (249.18)	0.75 (19.05)	2.19 (55.63)	0.83 (21.09)



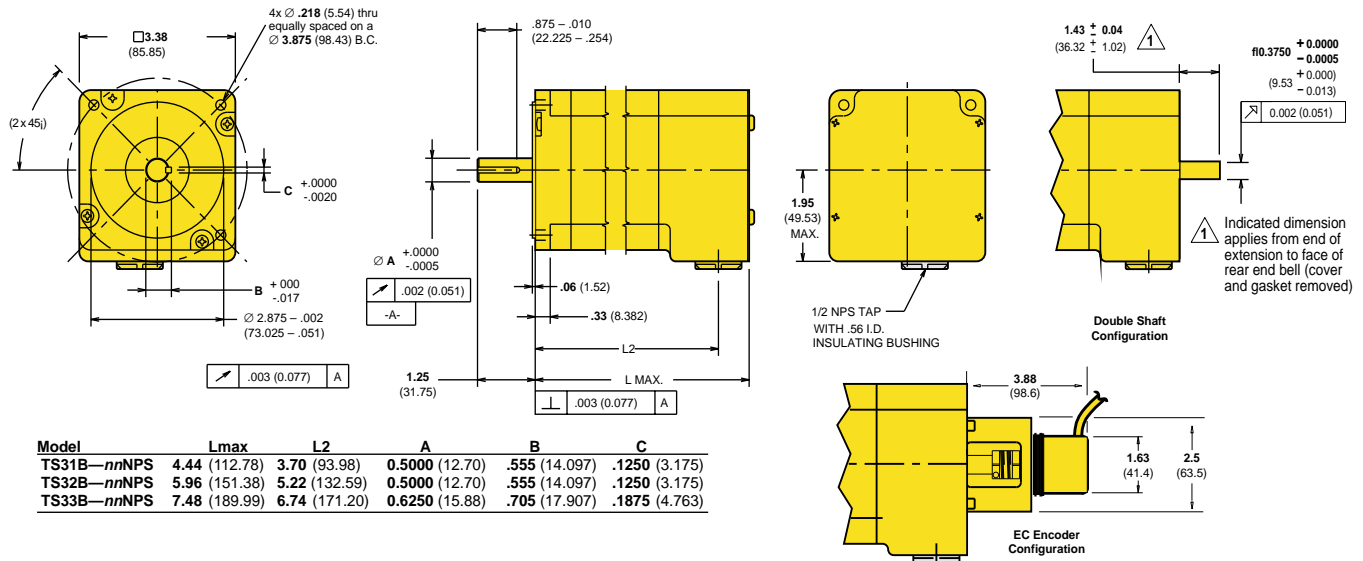
For servo motor information, please turn to that section of the catalog.

Gemini Offers Greater Flexibility and More Reliability Than Ever Before. Call 1-800-358-9070 Today.

Stepper Motor Dimensional Drawings

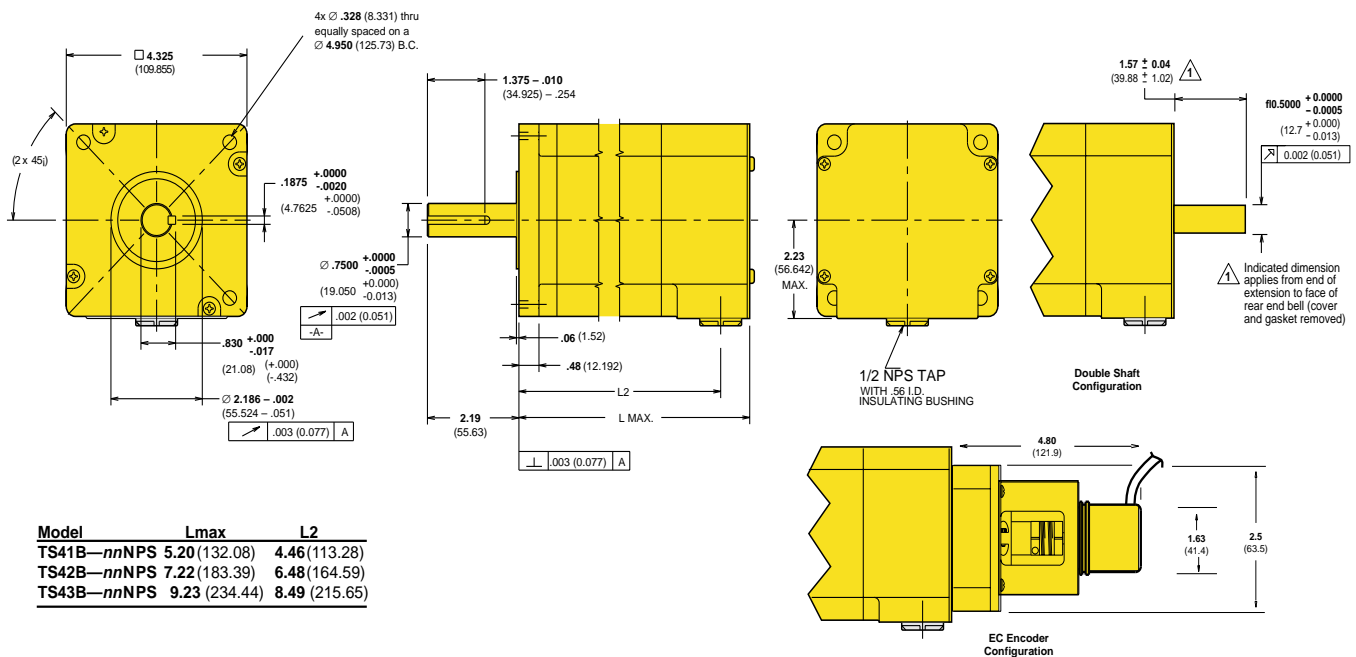
Size 34 Frame, T Series

Dimensions in inches (mm)



Size 42 Frame, T Series

Dimensions in inches (mm)

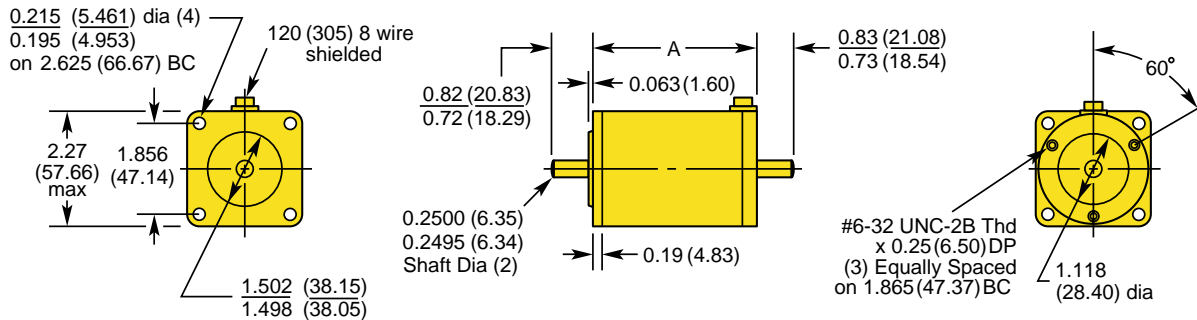


For servo motor information, please turn to that section of the catalog.

Stepper Motor Dimensional Drawings

Size 23 Frame, E Series (also known as ZETA Series)

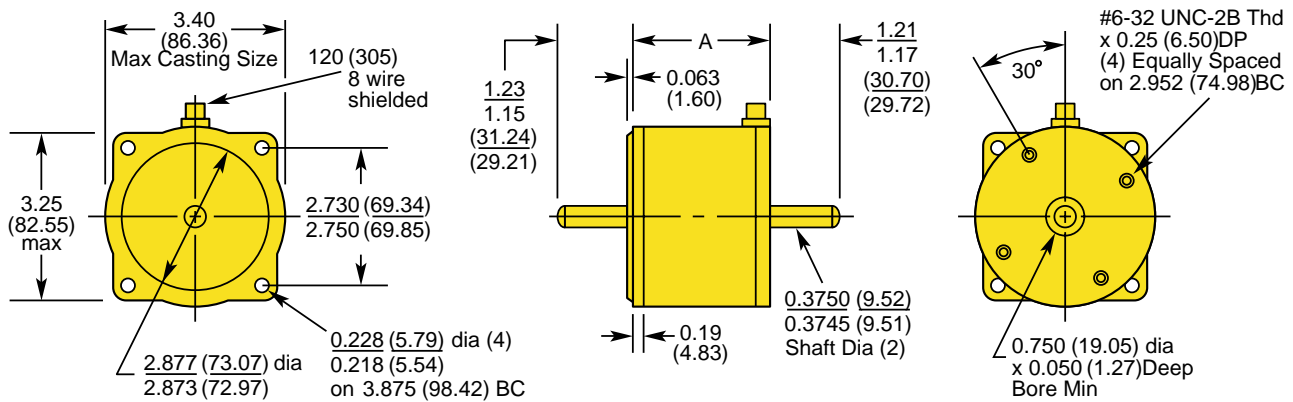
Dimensions in inches (mm)



Model	A
ES21B (ZETA 57-51)	2.0 (50.23)
ES22B (ZETA 57-83)	3.1 (75.23)
ES23B (ZETA 57-102)	4.0 (101.6)

Size 34 Frame, E Series (also known as ZETA Series)

Dimensions in inches (mm)



Model	A
ES31B (ZETA 83-62)	2.5 (62.0)
ES32B (ZETA 83-93)	3.7 (93.98)
ES33B (ZETA 83-135)	5.2 (129.0)

For servo motor information, please turn to that section of the catalog.

Gemini Offers Greater Flexibility and More Reliability Than Ever Before. Call 1-800-358-9070 Today.