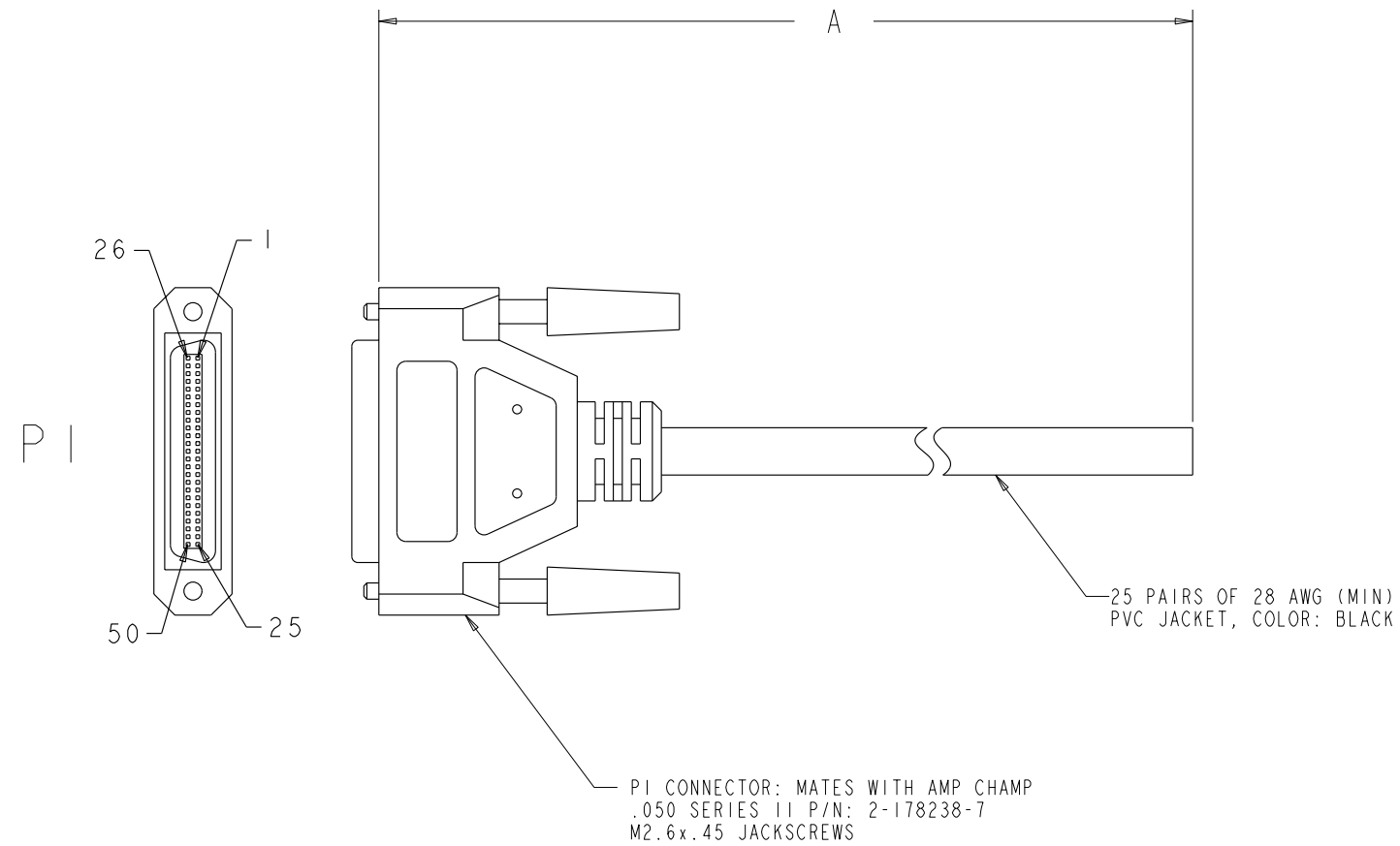
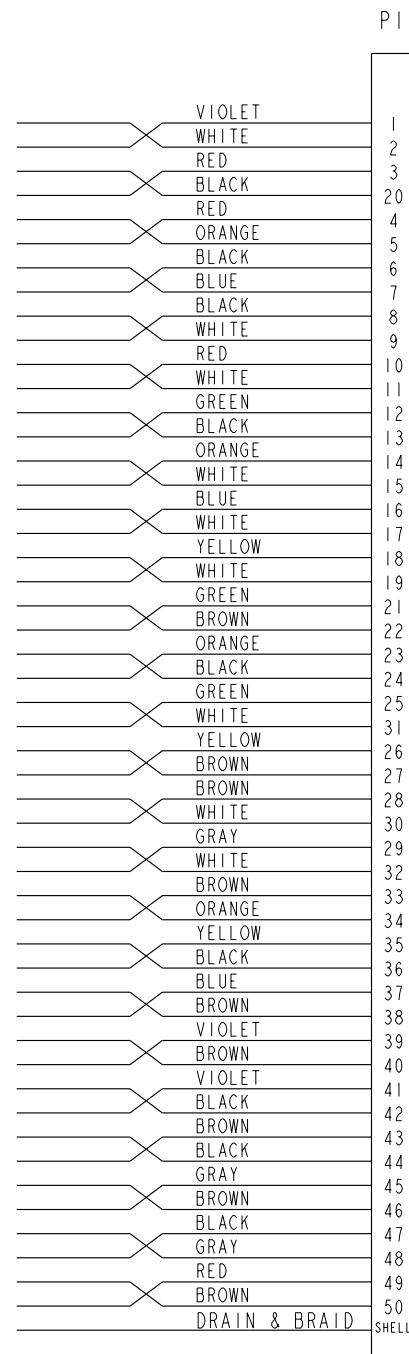


REV	DESCRIPTION	DATE	APPROVAL
A	INITIAL PROTOTYPE	5/15/01	AJC
B	INITIAL RELEASE PER ER#1867	10/04/01	AJC

NOTES:

1. CONTINUITY CHECK REQUIRED.
2. WIRE INSULATION TYPE: PCV
3. CONNECT DRAIN WIRE AND SHIELD TO CONNECTOR SHELL.
4. MARK PART WITH PART NUMBER, CURRENT REV, AND VENDOR I.D.
5. EQUIVALENTS ACCEPTED UPON WRITTEN APPROVAL OF FIRST ARTICLE COMPUMOTOR ENGINEERING.

WIRING DIAGRAM



LENGTH "A"	
DASH NO.	LENGTH (FT)
-04	4
-10	10

TOLERANCE CHART	
LENGTH	TOLERANCE
0 - 3 FT	+4" -0"
OVER 3 - 6 FT	+4" -2"
OVER 6 - 10 FT	+6" -4"

UNLESS OTHERWISE SPECIFIED	
.X ± 0.03	ANGLES ±1°
.XX ± 0.01	RMS FINISH
.XXX ± 0.005	63
DEBURR AND BREAK ALL SHARP EDGES	
MATERIAL:	APPROVALS
FINISH:	DATE
	DRAWN JDB 5/09/01
	CHECKED
	ENGR
	QC

Parker Compumotor

CABLE, GEMINI TO 6K, FLYING LEAD

SCALE: NONE D DRAWING NO. 71-019861-XX

DO NOT SCALE DRAWING SHEET 1 OF 1