

6.8.7. Example: Working with fast cams

Setting 2 fast cams to the Compax3 outputs O2 and O3.

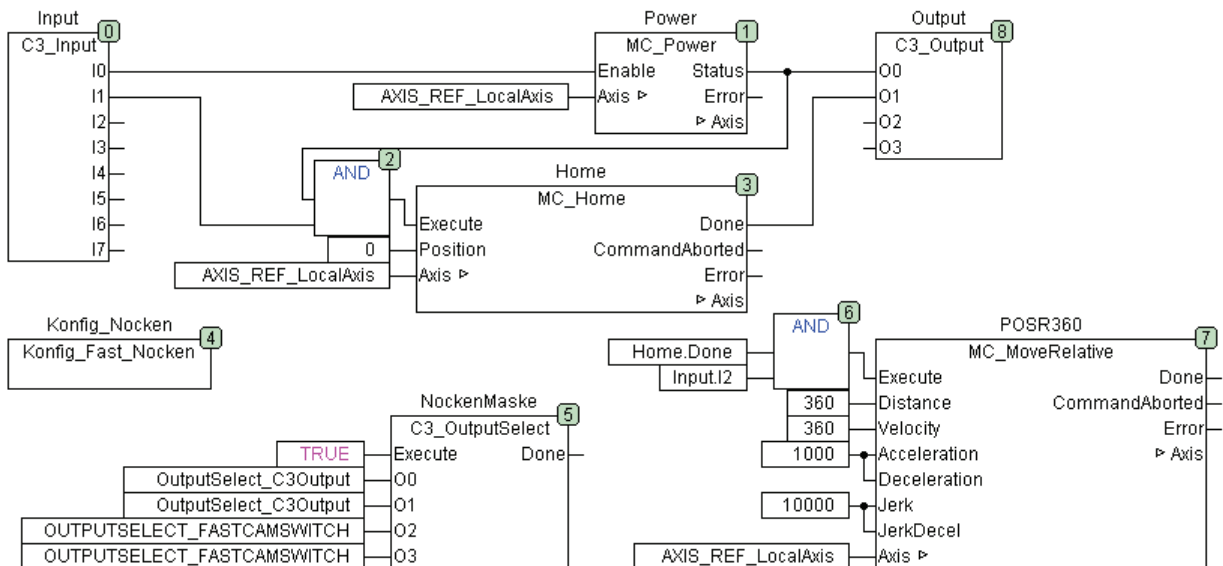
Related programs:

- ◆ ..\Examples\CamSwitch\2_schnelle_Nocken.C3P
- ◆ \Examples\CamSwitch\2_schnelle_Nocken.pro

Assignment:

- O0 = 1: Drive energized
- O1 = 1: Machine zero approached
- O2 = 1 fast cam 2 (170° ... 190°)
- O3 = 1 fast cam 3 (290° ... 310°)
- I0: Energize Drive
- I1: Start searching machine zero
- I2: Start of a 360° positioning (reset distance = 360°)

Solution:



ST Part

```

0001 FUNCTION_BLOCK Konfig_Fast_Nocken
0002 VAR_INPUT
0003 END_VAR
0004 VAR_OUTPUT
0005 END_VAR
0006 VAR
0007     vari1: BOOL;
0008 END_VAR
0009
0001 (* Settings for 2 Fast CAM_switches CAM_Fast 2 and 3 set to Output O2 and O3 *)
0002
0003 IF vari1=FALSE THEN
0004     C3Cam.ControlledSwitchesFast_Enable:=12; (*enable Cam_switch2 and 3 *)
0005
0006     C3Cam.ControlledSwitchFast2_Source:=1; (* actual position *)
0007     C3Cam.ControlledSwitchFast2_PositionOn:=170;
0008     C3Cam.ControlledSwitchFast2_PositionOff:=190;
0009     C3Cam.ControlledSwitchFast2_TimeOn:=T#0s; (* without TimeOn time *)
0010     C3Cam.ControlledSwitchFast2_TimeOff:=T#0s; (* without TimeOff time *)
0011
0012     C3Cam.ControlledSwitchFast3_Source:=1; (* actual position *)
0013     C3Cam.ControlledSwitchFast3_PositionOn:=290;
0014     C3Cam.ControlledSwitchFast3_PositionOff:=310;
0015     C3Cam.ControlledSwitchFast3_TimeOn:=T#0s; (* without TimeOn time *)
0016     C3Cam.ControlledSwitchFast3_TimeOff:=T#0s; (* without TimeOff time *)
0017
0018     C3Cam.ControlledSwitchesHysteresis_ActualPosition:=1;
0019
0020     C3Plus.ValidParameter_CamControlledSwitches:=1; (* one time, after Power ON *)
0021     vari1:=TRUE;
0022 END_IF

```

Note:

- ◆ With C3_OutputSelect the outputs O2 and O3 are assigned to the fast cams. Compax3 puts automatically the fast cams 2 and 3 to the outputs O2 and O3.
- ◆ The cam objects are set once after switching-on.