

MOTOR DATA @ 230 VAC (TRAP)

MOTOR PARAMETERS	UNITS	VALUE
HORSEPOWER	HP	1.62
KILOWATTS	KW	1.20
MAX. OPERATING SPEED	N. MAX RPM	5000
SPEED @ RATED TORQUE	N RATED RPM	4000
* CONTINUOUS RATED TORQUE @ 4000 RPM	IN-LBS[Nm]	25.5[2.9]
* CONTINUOUS STALL TORQUE	IN-LBS[Nm]	30.0[3.4]
CONTINUOUS LINE CURRENT	AMPS	7.3
PEAK TORQUE	IN-LBS[Nm]	105.0[11.9]
PEAK CURRENT	AMPS	26.8
MAX. THEORETICAL ACCEL.	RAD/SEC ²	92.025
TORQUE SENSITIVITY	Kt IN-LBS/AMPI Nm/AMP	4.1[0.47]
BACK EMF (LINE TO LINE)	Vrms/Krpm	36.6
D.C. RESISTANCE (P-P)	OHMS	1.5
INDUCTANCE (P-P)	MILLIHENRIES	5.1
ROTOR INERTIA W/ BRAKE	Jm IN-LBS-SEC ² Kg-M ²	.001141[.0001285]
STATIC FRICTION	Tf IN-LBS[Nm]	.5[.06]

*25°C AMBIENT WITH A MAXIMUM CASE TEMPERATURE OF 100°C ON MOTOR. MOTOR MOUNTED ON A 10" X 10" X 10" X 1/4" ALUMINUM HEATSINK. THERMOSTAT IN STATOR WINDINGS WILL OPEN IF WINDING TEMPERATURE EXCEEDS 155°C. THIS ALLOWS FOR AN APPROXIMATE +10% HEADROOM IN THE CONTINUOUS TORQUE RATING BEFORE THERMOSTAT OPENS.

MECHANICAL NOTES:

- AXIAL LOAD: 25 LBS MAX
- RADIAL LOAD: 40 LBS MAX @ 1" FROM FACE
- MOTOR SEALED TO IP65.
- MOTOR WEIGHT: 12.6 LBS. [5.7 kg]
- MOTOR FINISH: BLACK EPOXY
- MOTOR OUTPUT SHAFT: STAINLESS STEEL
- INCHES (MILLIMETERS)

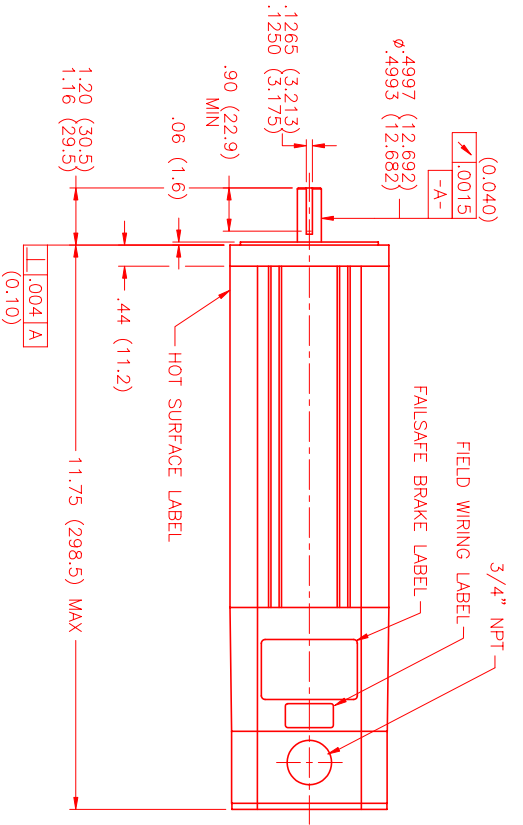
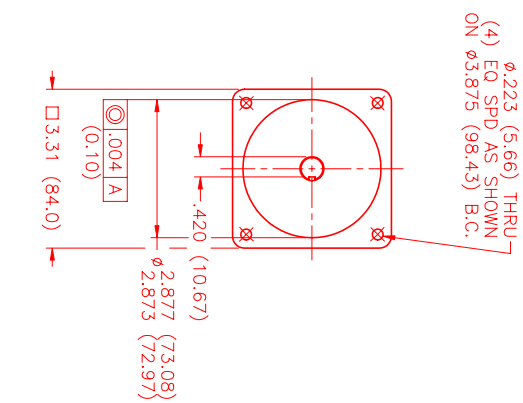
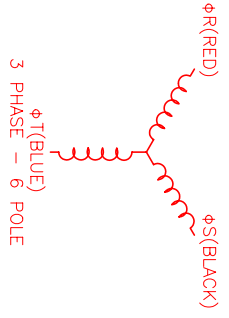
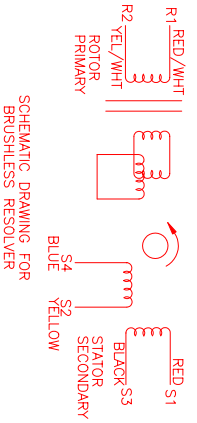
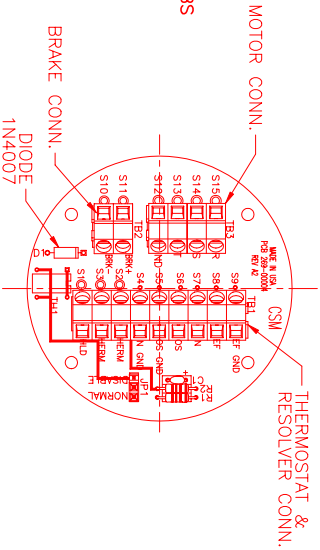
FAILSAFE BRAKE:

MIN HOLDING TORQUE: 60 IN-LBS
INPUT VOLTAGE: 24 VOLTS

CONNECTION CHART

MOTOR/BRAKE WIRE LEADS	RES/THERM WIRE LEADS
TERMINAL FUNCTION	TERMINAL FUNCTION
WIRE COLOR	WIRE COLOR
WIRE FUNCTION	WIRE FUNCTION
WIRE COLOR	WIRE COLOR
ΦR	REF GND
ΦS	RED/WHT
ΦT	SIN
PE GND	YELLOW
GRN/YEL	RED
BRK (+)	COS GND
BRK (-)	BLK
	SIN GND
	BLUE
	THERM
	BLACK
	RES SHLD
	GRN/YEL

TERMINAL FUNCTION	WIRE COLOR
S9	RED
S8	REF GND
S7	RED/WHT
S6	SIN
S5	YELLOW
S4	COS
S3	COS GND
S2	BLK
S1	RES SHLD



NO.	PART NUMBER	DESCRIPTION	QTY.
UNLESS SPECIFIED			
DECIMAL	XXX.XXX		
FRACTIONAL	XXX/XXX		
INCHES	XXX/XXX		
ANGLES	XXX/XXX		
DATE	7/23/99		
DRAWN	MVS		
CHECKED			
TITLE	"A"/TRAP/230/ENG/RES/NPT/BRK		
SCALE	1/2:1		
APPROVED			
DRAWING NUMBER	MPM892ATG6G3R		

REV.	DESCRIPTION	DATE	APPD.
PRELIMINARY		7/23/99	MVS

REV.	DESCRIPTION	DATE	APPD.
PRELIMINARY		7/23/99	MVS

MTS Automation Division

MTS Systems Corporation