

MOTOR DATA @ 230 VAC (TRAP)		UNITS	VALUE
MOTOR PARAMETERS			
HORSEPOWER	HP RATED	Hp	1.3
	KW RATED	KW	0.93
MAX. OPERATING SPEED	N. MAX	RPM	6000
SPEED @ RATED TORQUE	N RATED	RPM	5000
* CONTINUOUS RATED TORQUE @ 4000 RPM	IN-LBS[Nm]		15.8[1.84]
* CONTINUOUS STALL TORQUE	IN-LBS[Nm]		18.8[2.12]
CONTINUOUS LINE CURRENT	AMPS		6.2
PEAK TORQUE	In-LBS[Nm]	Tpk	56.0[6.4]
PEAK CURRENT	AMPS		19.0
MAX. THEORETICAL ACCEL.	RAD/SEC ²		110,000
TORQUE SENSITIVITY	Kt IN-LBS/AMP[Nm/AMP]		3.01[0.340]
BACK EMF (LINE TO LINE)	Vrms/Krpm		26.8
D.C. RESISTANCE (P-P)	OHMS		1.5
INDUCTANCE (P-P)	MILLIHENRIES		3.6
ROTOR INERTIA W/BRAKE	Jm IN-LBS-SEC ² [Kg-M ²]		0.00056[0.00063]
STATIC FRICTION	Tf	IN-LBS[Nm]	1.2[0.14]

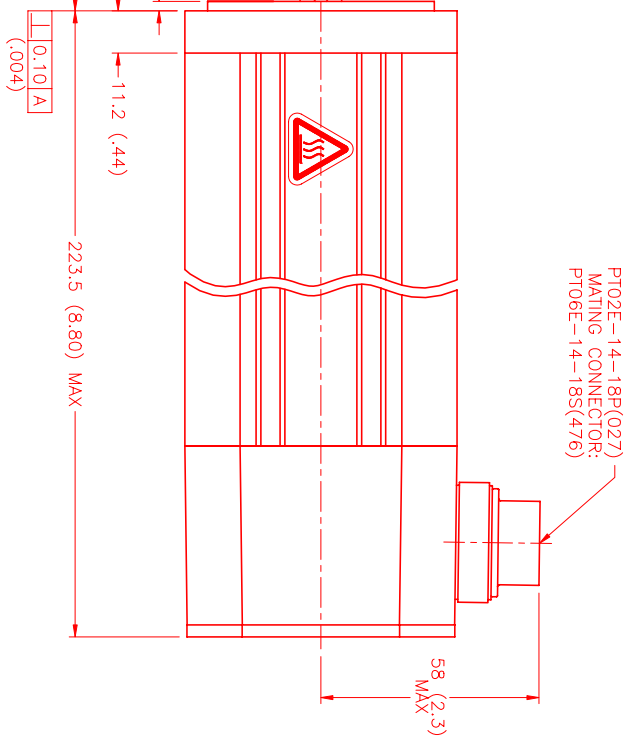
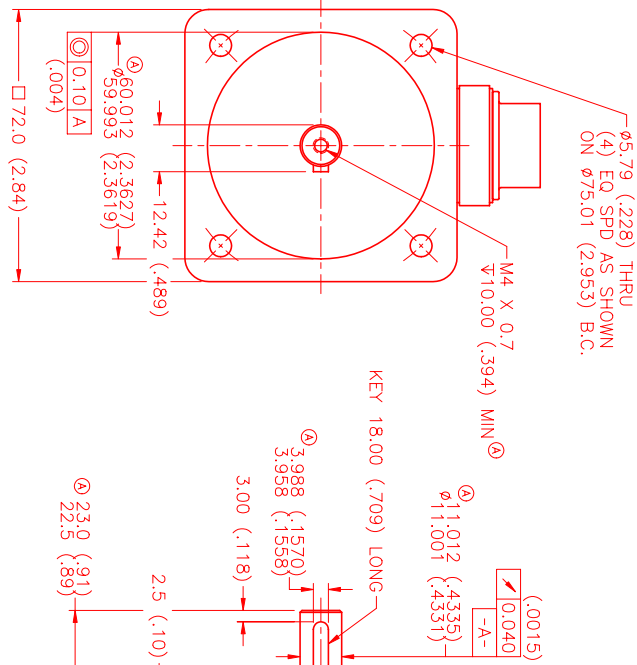
*25°C AMBIENT WITH A MAXIMUM CASE TEMPERATURE OF 85°C ON MOTOR. MOTOR MOUNTED ON A 1/2" X 1/2" X 1/2" ALUMINUM HEATSINK. THERMOSTAT IN STATOR WINDINGS WILL OPEN IF WINDING TEMPERATURE EXCEEDS 155°C. THIS ALLOWS FOR AN APPROXIMATE +10% HEADROOM IN THE CONTINUOUS TORQUE RATING BEFORE THERMOSTAT OPENS.

MECHANICAL NOTES:

- AXIAL LOAD: 20 LBS. MAX
- RADIAL LOAD: 35 LBS. MAX @ 1" FROM FACE
- MOTOR SEALED TO IP65.
- MOTOR WEIGHT: 7.2 LBS. [3.3 Kg]
- MOTOR FINISH: BLACK EPOXY
- MOTOR OUTPUT SHAFT: STAINLESS STEEL
- MILLIMETERS (INCHES)
- THIS MOTOR'S OUTPUT KEY IS A PRESS FIT.

FAILSAFE BRAKE:

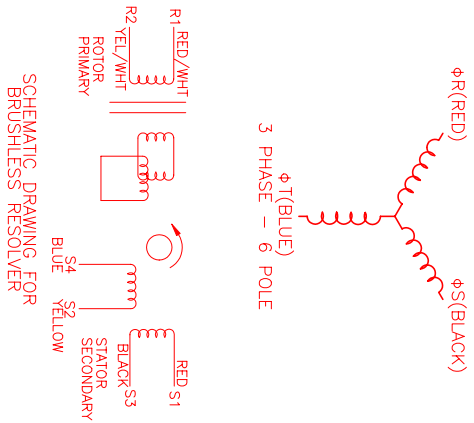
MIN. HOLDING TORQUE: 24 IN-LBS
INPUT VOLTAGE: 24 VOLTS



CONNECTION CHART
MOTOR/THERM/RES/BRK CONNECTOR:
PT02E-14-18P(027)
(270-00024)

MTR/RES/THERM	WIRE LEADS	WIRE COLOR
PIN	FUNCTION	WIRE COLOR
A	ΦR	RED
B	ΦS	BLACK
C	ΦT	BLUE
D	PE GND	GRN/YEL
U	THERM	BLACK
N	THERM	BLACK
H	SIN	YELLOW
G	COS GND	BLACK
S	COS	RED
F	SIN GND	BLUE
R	REF GND	YEL/WHI
E	REF	RED/WHI
J	RES SHLD	GRN/YEL
K	BRK (+)	DIODE
L	BRK (-)	IN4007
M	BRK SHLD	-
P	-	-
T	-	-

PT02E-14-18P(027)
MATING CONNECTOR:
PT06E-14-18S(476)



SCHEMATIC DRAWING FOR BRUSHLESS RESOLVER

REV.	DESCRIPTION	DATE	APP'D.
A	E.C.O. - 558	2/2/00	AJS

NO.	PART NUMBER	DESCRIPTION	QTY.
UNLESS SPECIFIED			
DECIMAL ANGLES ± 0.05			
DECIMAL DIMENSIONS ± 0.02			
ANGLES ± 1/2°			
FORM: MS			
DATE: 2/26/99			
CHECKED:			
APPROVED:			

MTS MTS Systems Corporation
Automation Division

ISSUING ENGINEER: MPM724BTG7G1R
SCALE: 1:1