

MOTOR DATA @ 230 VAC (TRAP)

MOTOR PARAMETERS	UNITS	VALUE
HORSEPOWER	HP RATED	35.7
KILOWATTS	KW RATED	26.7
MAX. OPERATING SPEED	N. MAX RPM	3000
SPEED @ RATED TORQUE	RPM	2400
* CONTINUOUS RATED TORQUE @ 2400 RPM	IN-LBS[Nm]	939.0[105.0]
* CONTINUOUS STALL TORQUE	IN-LBS[Nm]	1092.0[123.0]
CONTINUOUS LINE CURRENT	AMPS	123.0
PEAK TORQUE	IN-LBS[Nm]	1780.0[200.0]
PEAK CURRENT	AMPS	200.0
MAX. THEORETICAL ACCEL.	RAD/SEC ²	13,383
TORQUE SENSITIVITY	Kt IN-LBS/AMP[Nm/AMP]	8.9[1.0]
BACK EMF (LINE TO LINE)	Vrms/Krpm	79.0
D.C. RESISTANCE (P-P)	OHMS	.05
INDUCTANCE (P-P)	MILLIHENRIES	.96
ROTOR INERTIA	Jm IN-LBS-SEC ² [Kg-M ²]	.133[0.150]
STATIC FRICTION	Tf IN-LBS[Nm]	13.0[1.5]

*25°C AMBIENT WITH A MAXIMUM CASE TEMPERATURE OF 100°C ON MOTOR. MOTOR MOUNTED ON A 14" X 14" X 3/4" ALUMINUM HEATSINK. THERMOSTAT IN STATOR WINDINGS WILL OPEN IF WINDING TEMPERATURE EXCEEDS 155°C. THIS ALLOWS FOR AN APPROXIMATE +10% HEADROOM IN THE CONTINUOUS TORQUE RATING BEFORE THERMOSTAT OPENS.

- MECHANICAL NOTES:**
- AXIAL LOAD: 100 LBS MAX
 - RADIAL LOAD: 250 LBS MAX @ 1" FROM FACE
 - MOTOR SEALED TO IP65
 - MOTOR WEIGHT: 160 LBS [72.6 kg]
 - MOTOR FINISH: BLACK EPOXY
 - MILLIMETERS (INCHES)

ENCODER: (290-00052)
OH48-2000P6-L6-5V

CONNECTION CHART

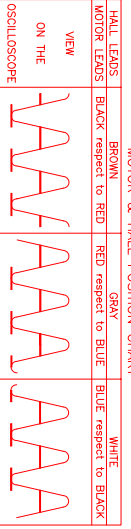
MOTOR CONNECTOR:
SG3102E-32-17P(027)
(270-00066)

MOTOR WIRE LEADS	WIRE FUNCTION	WIRE COLOR
A	ΦR	BLACK
B	ΦS	RED
C	ΦT	BLUE
D	PE GND	GRN/YEL

ENCODER/THERM CONNECTOR:

PT02E-14-18P(027)
(270-00024)

ENC/THERM WIRE LEADS	WIRE FUNCTION	WIRE COLOR
T	GROUND	BLACK
K	+5VDC	RED
B	CH A	BLUE
N	CH B	BLUE/BLK
P	CH B	GREEN
M	CH Z	GRN/BLK
U	CH Z	YELLOW
E	CH U	YEL/BLK
R	CH U	BROWN
F	CH V	BRN/BLK
S	CH V	GRAY
G	CH W	GRAY/BLK
H	CH W	WHITE
D	CH W	WHT/BLK
A	GND/CABLE	SHLD
L	THERM	BLACK
J	GND	GRN/YEL



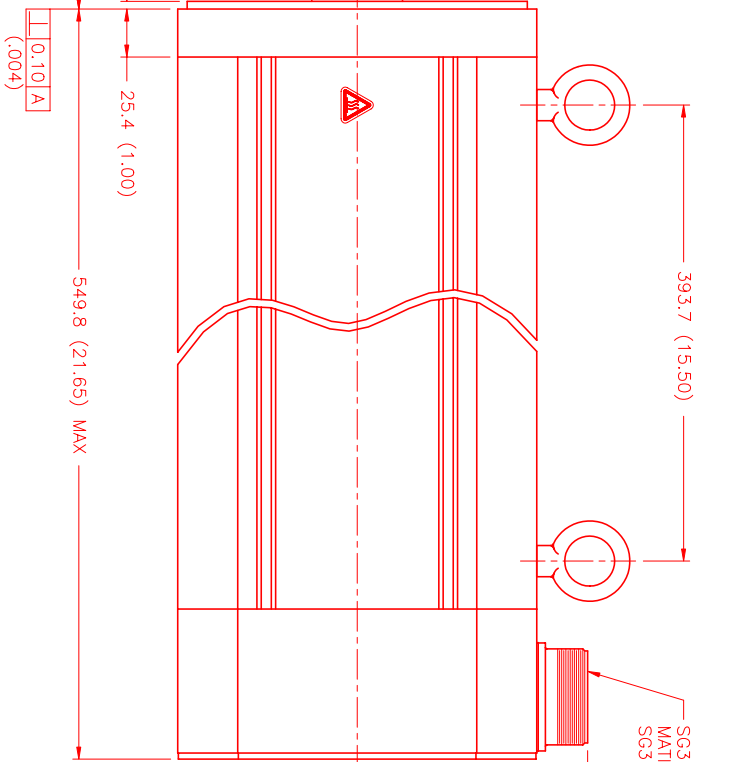
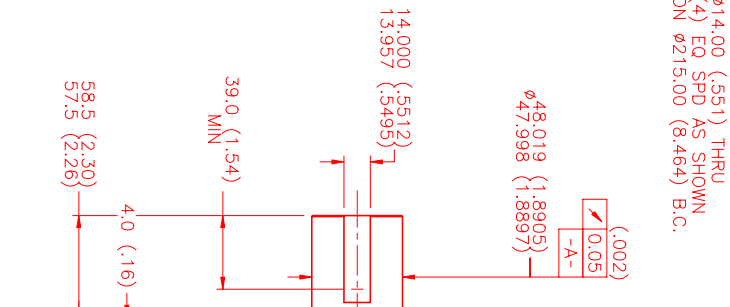
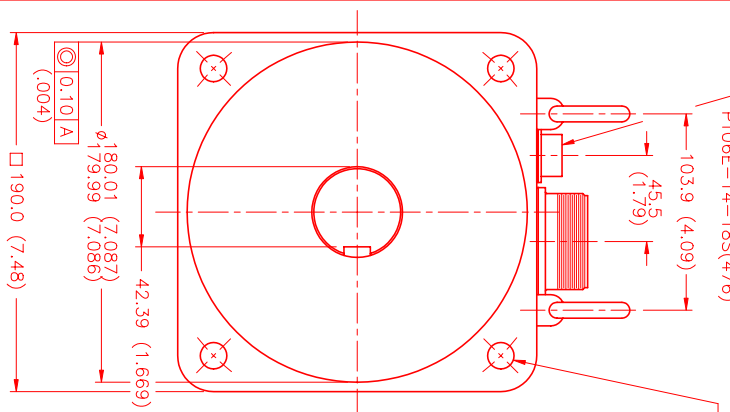
ON THE OSCILLOSCOPE

WAVE REPRESENTING STATOR OUTPUT (LOOKING AT THE FACE OF THE MOTOR)

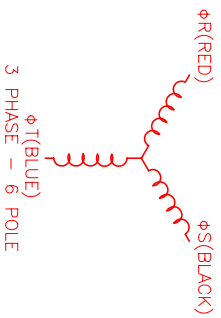
WAVE REPRESENTING HALL SENSOR

PT02E-14-18P(027)
MATING CONNECTOR:
PT06E-14-18S(476)

Ø14.00 (.551) THRU
(4) EQ SPD AS SHOWN
ON Ø215.00 (8.464) B.C.



SG3102E-32-17P(027)
MATING CONNECTOR:
SG3106E-32-17S(476)



NO.	PART NUMBER	DESCRIPTION	QTY.
1	SG3102E-32-17P(027)	MOTOR	1
2	PT02E-14-18P(027)	ENCODER/THERM CONNECTOR	1
3	SG3106E-32-17S(476)	MATING CONNECTOR	1

MTS MTS Systems Corporation
Automation Division

DATE: 8/13/99
DRAWN: MVS
CHECKED: MVS

TITLE: "A" /TRAP /230/MET/T2/CONN

SCALE: 1/2=1

REV.	DESCRIPTION	DATE	APPD.
PRELIMINARY		8/13/99	MVS