

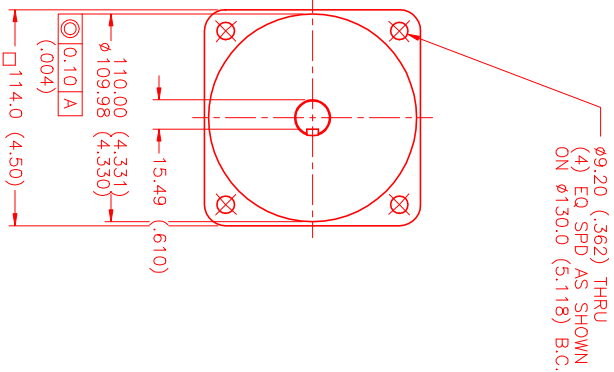
MOTOR DATA @ 460 VAC (TRAP)

MOTOR PARAMETERS	UNITS	VALUE
HORSEPOWER	HP	2.1
KILOWATTS	KW RATED	1.6
MAX. OPERATING SPEED	N MAX	4200
SPEED @ RATED TORQUE	RPM	3000
* CONTINUOUS RATED TORQUE @ 3000 RPM	N RATED	45.0 [5.1]
* CONTINUOUS STALL TORQUE	IN-LBS [Nm]	54.0 [6.1]
CONTINUOUS LINE CURRENT	AMPS	4.4
PEAK TORQUE	IN-LBS [Nm]	189.1 [21.3]
MAX. THEORETICAL ACCEL.	AMPS	15.3
TORQUE SENSITIVITY	RAD/SEC ²	54.029
BACK EMF (LINE TO LINE)	Kt [IN-LBS/AMP] [Nm/AMP]	12.4 [1.42]
D.C. RESISTANCE (P-P)	Vrms/krpm	110.0
INDUCTANCE (P-P)	OHMS	3.2
ROTOR INERTIA	MILLIHENRIES	24.0
STATIC FRICTION	Jm [IN-LBS-SEC ²] [Kg-M ²]	.0035 [.00039]
	Tf [IN-LBS] [Nm]	1.0 [0.11]

*25°C AMBIENT WITH A MAXIMUM CASE TEMPERATURE OF 100°C ON MOTOR. MOTOR MOUNTED ON A 12" X 12" X 1/2" ALUMINUM HEATSINK. THERMOSTAT IN STATOR WINDINGS WILL OPEN IF WINDING TEMPERATURE EXCEEDS 155°C. THIS ALLOWS FOR AN APPROXIMATE +10% HEADROOM IN THE CONTINUOUS TORQUE RATING BEFORE THERMOSTAT OPENS.

MECHANICAL NOTES:

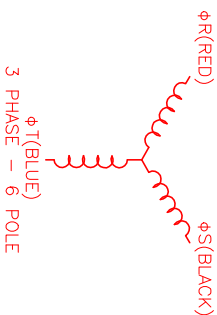
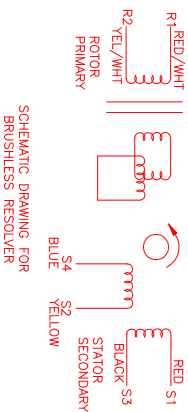
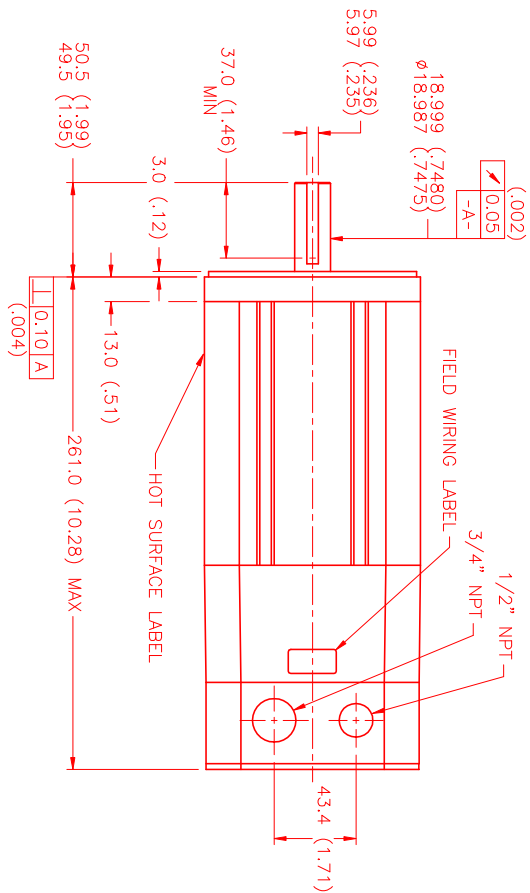
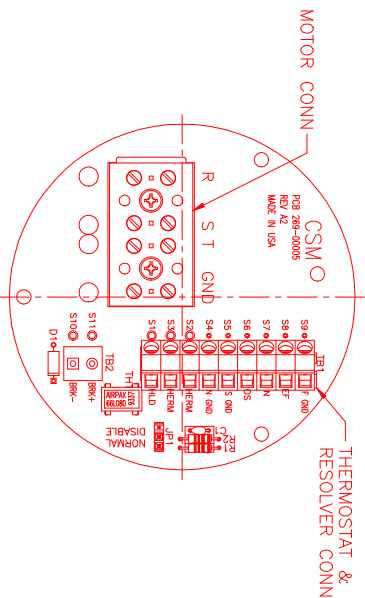
1. AXIAL LOAD: 50 LBS MAX
2. RADIAL LOAD: 100 LBS MAX @ 1" FROM FACE
3. MOTOR SEALED TO IP65.
4. MOTOR WEIGHT: 19.4 LBS. [8.8 Kg]
5. MOTOR FINISH: BLACK EPOXY
6. MOTOR OUTPUT SHAFT: STAINLESS STEEL
7. MILLIMETERS (INCHES)



CONNECTION CHART

MOTOR WIRE LEADS	WIRE FUNCTION	WIRE COLOR
TERMINAL	FUNCTION	COLOR
S9	ϕ R	RED
S8	ϕ S	BLACK
S7	ϕ T	BLUE
S6	PE GND	GRN/YEL

RES/THERM WIRE LEADS	WIRE FUNCTION	WIRE COLOR
TERMINAL	FUNCTION	COLOR
S9	REF GND	YEL/WHI
S8	REF	RED/WHI
S7	SIN	YELLOW
S6	COS	RED
S5	COS GND	BLACK
S4	SIN GND	BLUE
S3	THERM	BLACK
S2	THERM	BLACK
S1	RES SHLD	GRN/YEL



REV.	DESCRIPTION	DATE	APPD.
PRELIMINARY		6/18/99	MVS

NO.	PART NUMBER	DESCRIPTION	QTY.
UNLESS SPECIFIED			
DETAILS: 30X X 4 200			
SCALE: 1/2"			
DATE: 6/11/99			
DESIGNED BY: MVS			
CHECKED BY:			
APPROVED BY:			
DATE: 6/11/99			
TITLE: "C"/TRAP/460/MET/RES/NPT			
MATERIAL:			
QUANTITY:			
SCALE: 1/2:1			

MTS
Automation Division

RESISTANCE HEATING OF RESOLUTION RESOLVER IN THE PRESENCE OF
MOTOR WINDINGS IS PROHIBITED. RESOLUTION RESOLVER IS NOT TO BE
USED IN APPLICATIONS WHERE THE RESOLVER IS REQUIRED TO OPERATE
AT TEMPERATURES ABOVE 100°C. RESOLUTION RESOLVER IS NOT TO BE
USED IN APPLICATIONS WHERE THE RESOLVER IS REQUIRED TO OPERATE
AT TEMPERATURES ABOVE 100°C.

NO. PART NUMBER DESCRIPTION QTY.
UNLESS SPECIFIED
DETAILS: 30X X 4 200
SCALE: 1/2"
DATE: 6/11/99
DESIGNED BY: MVS
CHECKED BY:
APPROVED BY:
DATE: 6/11/99
TITLE: "C"/TRAP/460/MET/RES/NPT
MATERIAL:
QUANTITY:
SCALE: 1/2:1