

MOTOR DATA @ 230 VAC (TRAP)

MOTOR PARAMETERS	UNITS	VALUE
HORSEPOWER	HP RATED	1.2
KILOWATTS	KW RATED	.88
MAX. OPERATING SPEED	N MAX	2100
SPEED @ RATED TORQUE	N RATED	1500
* CONTINUOUS RATED TORQUE @ 1500 RPM	IN-LBS [Nm]	50.0 [5.6]
* CONTINUOUS STALL TORQUE	IN-LBS [Nm]	54.0 [6.1]
CONTINUOUS LINE CURRENT	AMPS	4.4
PEAK TORQUE	IN-LBS [Nm]	189.1 [21.3]
PEAK CURRENT	AMPS	15.3
MAX. THEORETICAL ACCEL.	RAD/SEC ²	48,487
TORQUE SENSITIVITY	Kt [IN-LBS/AMP] [Nm/AMP]	12.4 [1.42]
BACK EMF (LINE TO LINE)	Vrms/Krpm	110.0
D.C. RESISTANCE (P-P)	OHMS	3.3
INDUCTANCE (P-P)	MILLIHENRIES	24.4
ROTOR INERTIA W/BRAKE	Jm [IN-LBS-SEC ²] [Kg-M ²]	.00391 [0.0044]
STATIC FRICTION	Tf [IN-LBS] [Nm]	1.0 [11]

*25°C AMBIENT WITH A MAXIMUM CASE TEMPERATURE OF 100°C ON MOTOR. MOTOR MOUNTED ON A 12" X 12" X 1/2" ALUMINUM HEATSINK. THERMOSTAT IN STATOR WINDINGS WILL OPEN IF WINDING TEMPERATURE EXCEEDS 155°C. THIS ALLOWS FOR AN APPROXIMATE +10% HEADROOM IN THE CONTINUOUS TORQUE RATING BEFORE THERMOSTAT OPENS.

- MECHANICAL NOTES:**
- AXIAL LOAD: 50 LBS MAX
 - RADIAL LOAD: 100 LBS MAX @ 1" FROM FACE
 - MOTOR SEALED TO IP65.
 - MOTOR WEIGHT: 23.5 LBS. [10.7 kg]
 - MOTOR FINISH: BLACK EPOXY
 - MOTOR OUTPUT SHAFT: STAINLESS STEEL
 - MILLIMETERS (INCHES)

CONNECTION CHART

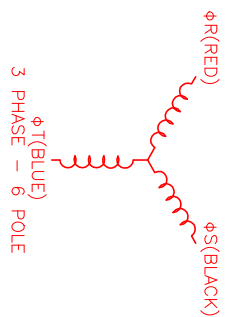
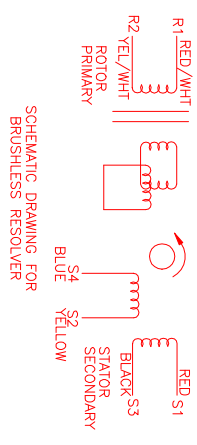
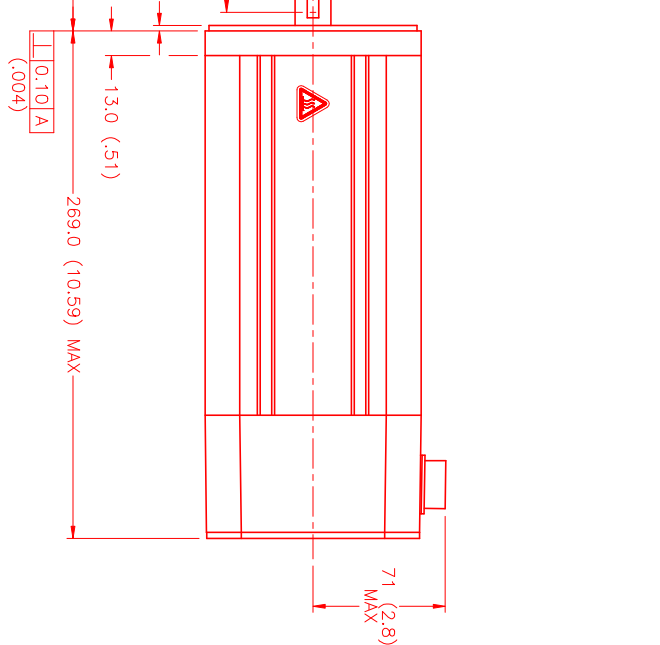
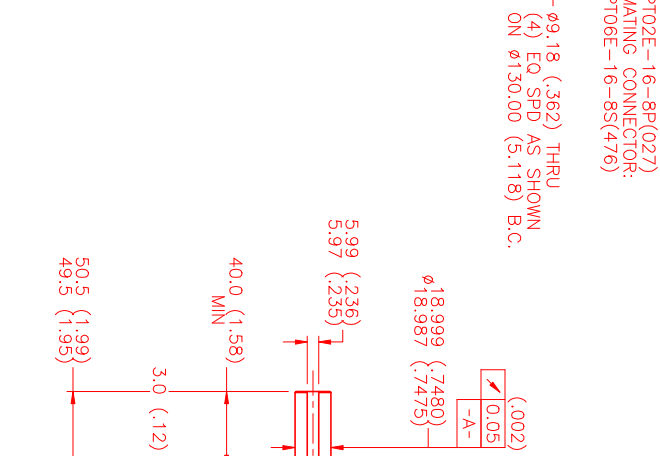
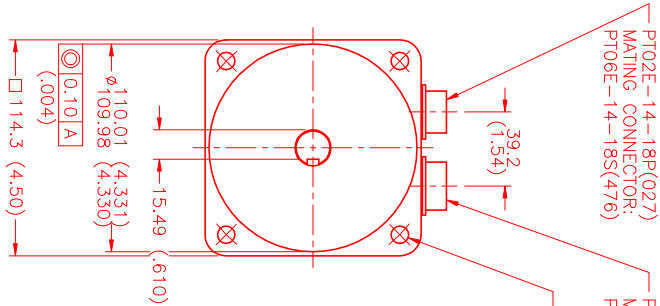
MOTOR/BRAKE CONNECTOR:
PT02E-16-8P(027)
(270-00032)

MOTOR/BRAKE	WIRE	WIRE LEADS
PIN	FUNCTION	WIRE COLOR
A	ΦR	RED
B	ΦS	BLACK
C	ΦT	BLUE
D	PE SHLD	GRN/YEL
E	BRK SHLD	-
F	BRK (+)	DIODE
G	BRK (-)	DI1N4007
H	-	-

RESOLVER/THERM CONNECTOR:

PT02E-14-18P(027)
(270-00024)

RES/THERM	WIRE	WIRE LEADS
PIN	FUNCTION	WIRE COLOR
A	-	-
B	-	-
C	-	-
J	-	-
K	-	-
L	-	-
M	-	-
T	-	-



DATE: 1/10/02
REV: PRELIMINARY

REV	DESCRIPTION	DATE	APPD
1	PRELIMINARY	1/10/02	LIN

NO.	PART NUMBER	DESCRIPTION	QTY.
UNLESS SPECIFIED			
DRAWN: MVS			
CHECKED:			
DATE: 1/11/99			
TITLE:			
SCALE: 1/2:1			

MTS
Automation Division

DATE: 1/11/99
SCALE: 1/2:1