

MOTOR DATA @ 230 VAC (SINE)

MOTOR PARAMETERS	UNITS	VALUE
HORSEPOWER	HP RATED	1.2
KILOWATTS	KW RATED	.88
MAX. OPERATING SPEED	N MAX	2100
SPEED @ RATED TORQUE	N RATED	1500
* CONTINUOUS RATED TORQUE @ 1500 RPM	N-LBS [Nm]	50.0 [5.6]
* CONTINUOUS STALL TORQUE	N-LBS [Nm]	54.0 [6.1]
CONTINUOUS LINE CURRENT	AMPS (RMS/φ)	3.1
PEAK TORQUE	Tpk	189.0 [21.3]
PEAK CURRENT	AMPS (RMS/φ)	10.8
MAX. THEORETICAL ACCEL.	RAD/SEC ²	54,000
TORQUE SENSITIVITY	Kt [N-LBS/AMPS/φ] [Nm/AMP/RMS/φ]	17.5 [2.0]
BACK EMF (LINE TO LINE)	Vrms/Krpm	110.0
D.C. RESISTANCE (P-P)	OHMS	3.3
INDUCTANCE (P-P)	MILLIHENRIES	24.4
ROTOR INERTIA	Jm [N-LBS-SEC ²] [Kg-M ²]	.0035 [0.0039]
STATIC FRICTION	Tf	1.0 [1.1]

*25°C AMBIENT WITH A MAXIMUM CASE TEMPERATURE OF 100°C ON MOTOR. MOTOR MOUNTED ON A 12" X 12" X 1/2" ALUMINUM HEATSINK. THERMOSTAT IN STATOR WINDINGS WILL OPEN IF WINDING TEMPERATURE EXCEEDS 155°C. THIS ALLOWS FOR AN APPROXIMATE +10% HEADROOM IN THE CONTINUOUS TORQUE RATING BEFORE THERMOSTAT OPENS.

MECHANICAL NOTES:

1. AXIAL LOAD: 50 LBS MAX
2. RADIAL LOAD: 100 LBS MAX @ 1" FROM FACE
3. MOTOR SEALED TO IP65.
4. MOTOR WEIGHT: 17.8 LBS [8.1 Kg]
5. MOTOR FINISH: BLACK EPOXY
6. MOTOR OUTPUT SHAFT: STAINLESS STEEL
7. INCHES (MILLIMETERS)

ENCODER: (290-00142)

OIH48-1024P6-L6-SV

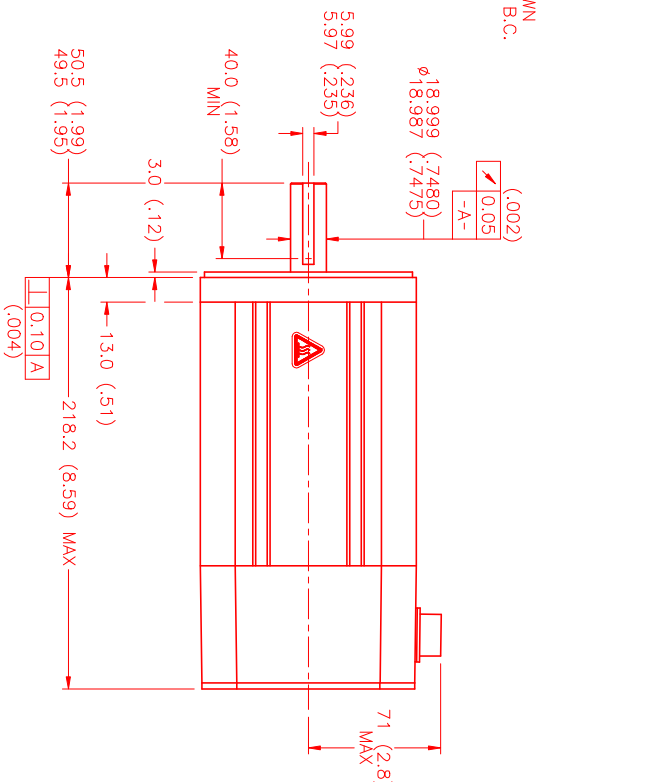
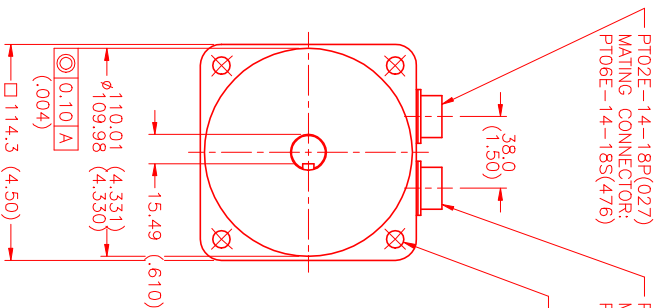
CONNECTION CHART

MOTOR CONNECTOR:
PT02E-14-5P(027)
(270-00026)

MOTOR WIRE LEADS	WIRE FUNCTION	WIRE COLOR
A	φR	RED
B	φS	BLACK
C	φT	BLUE
D	PE GND	GRN/YEL
E	-	-

ENCODER/THERM CONNECTOR:
PT02E-14-18P(027)
(270-00024)

ENC/THERM WIRE LEADS	PIN	WIRE FUNCTION	WIRE COLOR
T	GROUND	BLACK	
K	+5VDC	RED	
B	CH A	BLUE	
C	CH A	BLUE/BLK	
N	CH B	GREEN	
P	CH B	GRN/BLK	
M	CH Z	YELLOW	
U	CH Z	YEL/BLK	
E	CH U	BROWN	
R	CH U	BRN/BLK	
F	CH V	GRAY	
S	CH V	GRAY/BLK	
G	CH W	WHITE	
H	CH W	WHT/BLK	
D	GND/CABLE SHLD	BLACK	
A	THERM	BLACK	
L	THERM	BLACK	
J	GND	GRN/YEL	

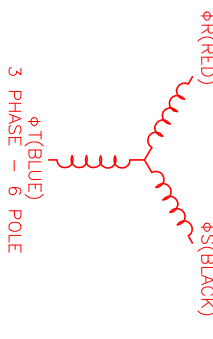


MOTOR & HALL POSITION CHART

HALL LEADS	BROWN	GRAY	WHITE
MOTOR LEADS	BLACK respect to RED	RED respect to BLUE	BLUE respect to BLACK

VIEW ON THE OSCILLOSCOPE

*MOTOR ROTATION C/W (COUNTER CLOCKWISE) (LOOKING AT THE FACE OF THE MOTOR)



NO.	PART NUMBER	DESCRIPTION	QTY.
UNLESS SPECIFIED			
DETAILS: 300 X 4 200			
TECHNICAL: 3 X 4 200			
ASSEMBLY: 1/2 X 4 200			
APPROVED:			
DATE: 4/12/00			
SCALE: 1/2:1			

REV.	DESCRIPTION	DATE	APPD.
PRELIMINARY		4/12/00	AJS

MTS - "B"/MET/11024/CONN
 REVISIONS
 NUMBER: MPM1141BSG7JX1N