

MOTOR DATA @ 230 VAC (SINE)

MOTOR PARAMETERS	UNITS	VALUE
HORSEPOWER	HP RATED	1.2
KILOWATTS	KW RATED	.88
MAX. OPERATING SPEED	N MAX	2100
SPEED @ RATED TORQUE	N RATED	1500
* CONTINUOUS RATED TORQUE @ 1500 RPM	IN-LBS [Nm]	50.0 [5.6]
* CONTINUOUS STALL TORQUE	IN-LBS [Nm]	54.0 [6.1]
CONTINUOUS LINE CURRENT	AMPS (RMS/Φ)	3.1
PEAK CURRENT	IN-LBS [Nm]	189.1 [21.3]
MAX. THEORETICAL ACCEL.	AMPS (RMS/Φ)	10.8
TORQUE SENSITIVITY	RAD/SEC ²	48,487
BACK EMF (LINE TO LINE)	KT (IN-LBS/AMP/RMS/Φ) / (Nm/AMP/RMS/Φ)	17.5 [1.98]
D.C. RESISTANCE (P-P)	Vrms/Krpm	110.0
INDUCTANCE (P-P)	OHMS	3.3
ROTOR INERTIA W/BRAKE	MILLIHENRIES	24.4
STATIC FRICTION	Jm [IN-LBS-SEC ² /Kg-M ²]	.0039 [0.0044]
	Tf [IN-LBS/INm]	1.0 [1.1]

*25°C AMBIENT WITH A MAXIMUM CASE TEMPERATURE OF 100°C ON MOTOR. MOTOR MOUNTED ON A 12" X 12" X 1/2" ALUMINUM HEATSINK. THERMOSTAT IN STATOR WINDINGS WILL OPEN IF WINDING TEMPERATURE EXCEEDS 155°C. THIS ALLOWS FOR AN APPROXIMATE +10% HEADROOM IN THE CONTINUOUS TORQUE RATING BEFORE THERMOSTAT OPENS.

MECHANICAL NOTES:

- AXIAL LOAD: 50 LBS MAX
- RADIAL LOAD: 100 LBS MAX @ 1" FROM FACE
- MOTOR SEALED TO IP65.
- MOTOR WEIGHT: 23.5 LBS. [10.7 kg]
- MOTOR FINISH: BLACK EPOXY
- MOTOR OUTPUT SHAFT: STAINLESS STEEL
- MILLIMETERS (INCHES)

FAULSAFE BRAKE:

MIN HOLDING TORQUE: 240 IN-LBS
INPUT VOLTAGE: 24 VOLTS

CONNECTION CHART

MOTOR/BRAKE CONNECTOR:
PT02E-16-8P(027)

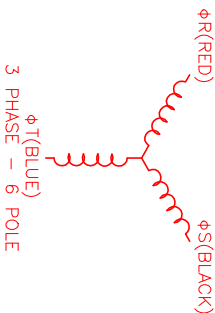
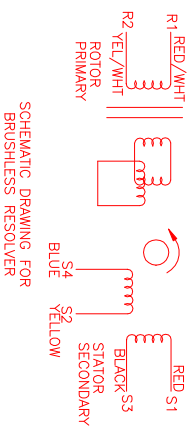
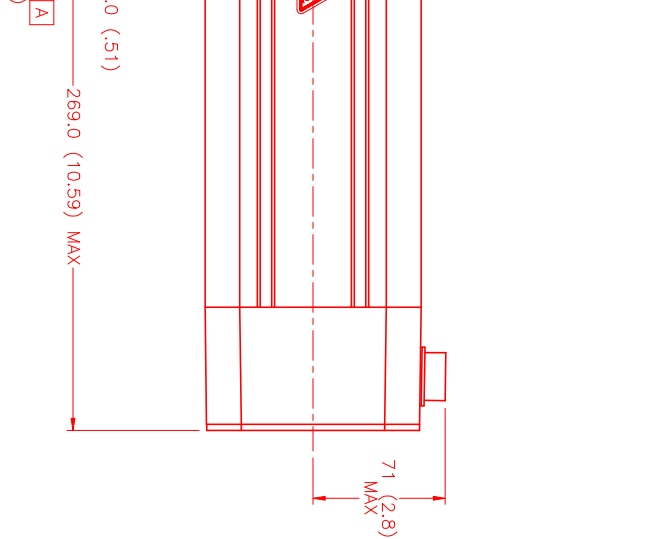
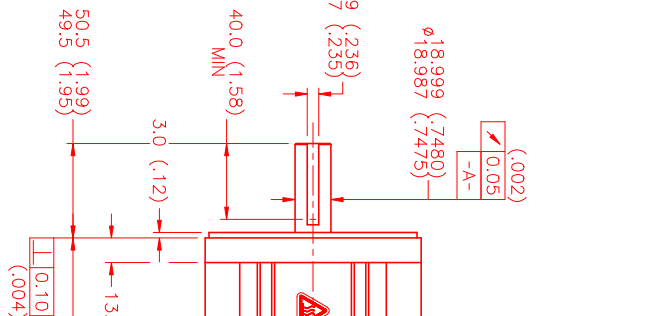
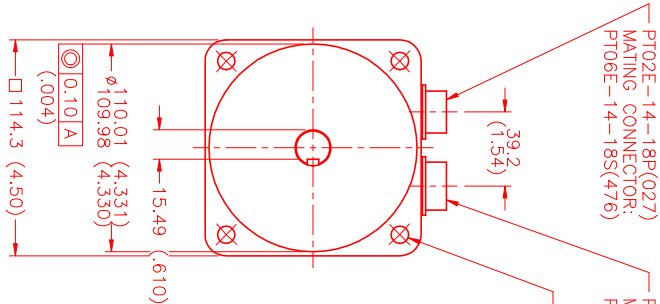
(270-00032)

RESOLVER/THERM CONNECTOR:
PT02E-14-18P(027)

(270-00024)

MOTOR/BRAKE	WIRE FUNCTION	WIRE COLOR	WIRE LEADS
A	ΦR	RED	BLACK
B	ΦS	BLACK	BLACK
C	ΦT	BLUE	YELLOW
D	PE GND	GRN/YEL	BLACK
E	BRK SHLD	-	RED
F	BRK (+)	DIODE	BLUE
G	BRK (-)	DIODE	YEL/WHI
H	-	-	RED/WHI

RES/THERM	WIRE FUNCTION	WIRE COLOR	WIRE LEADS
A	THERM	BLACK	BLACK
B	THERM	BLACK	BLACK
C	THERM	BLACK	BLACK
D	THERM	BLACK	BLACK
E	THERM	BLACK	BLACK
F	THERM	BLACK	BLACK
G	THERM	BLACK	BLACK
H	THERM	BLACK	BLACK
I	THERM	BLACK	BLACK
J	THERM	BLACK	BLACK
K	THERM	BLACK	BLACK
L	THERM	BLACK	BLACK
M	THERM	BLACK	BLACK
N	THERM	BLACK	BLACK
O	THERM	BLACK	BLACK
P	THERM	BLACK	BLACK
Q	THERM	BLACK	BLACK
R	THERM	BLACK	BLACK
S	THERM	BLACK	BLACK
T	THERM	BLACK	BLACK



REV.	DESCRIPTION	DATE	APPD.
PRELIMINARY		1/10/02	LN

NO.	PART NUMBER	DESCRIPTION	QTY.
UNLESS SPECIFIED			
DATE:	02/02		
SCALE:	1/2:1		
APPROVED:			
DRAWN:	MPM1141BSG7G1R		

MTS Systems Corporation
Automation Division

RESOLVER ASSEMBLY FOR 3 PHASE BRUSHLESS MOTOR. THIS DRAWING IS THE PROPERTY OF MTS SYSTEMS CORPORATION. IT IS TO BE USED ONLY FOR THE PURPOSES SPECIFIED HEREIN. NO PARTS OR MATERIALS ARE TO BE REPRODUCED OR TRANSMITTED IN ANY FORM OR BY ANY MEANS, ELECTRONIC OR MECHANICAL, INCLUDING PHOTOCOPYING, RECORDING, OR BY ANY INFORMATION STORAGE AND RETRIEVAL SYSTEM.

TITLE: 'B' / 230 / MET / RES / CONN / BRK

SCALE: 1/2:1