

MOTOR DATA @ 230 VAC (SINE)

MOTOR PARAMETERS	UNITS	VALUE
HORSEPOWER	HP RATED	1.2
KILOWATTS	KW	.88
MAX. OPERATING SPEED	N MAX	2100
SPEED @ RATED TORQUE	N RATED	1500
* CONTINUOUS RATED TORQUE @ 1500 RPM	N-LBS [Nm]	50.0 [5.6]
* CONTINUOUS STALL TORQUE	N-LBS [Nm]	54.0 [6.1]
CONTINUOUS LINE CURRENT	AMPS (RMS/Φ)	3.1
PEAK CURRENT	N-LBS [Nm]	189.1 [21.3]
MAX. THEORETICAL ACCEL.	AMPS (RMS/Φ)	10.8
TORQUE SENSITIVITY	RAD/SEC ²	54.029
BACK EMF (LINE TO LINE)	Kt N-LBS/AMP (RMS/Φ) [Nm/AMP (RMS/Φ)]	17.5 [1.98]
D.C. RESISTANCE (P-P)	Vrms/Krpm	110.0
INDUCTANCE (P-P)	OHMS	3.3
ROTOR INERTIA	MILLIHENRIES	24.4
STATIC FRICTION	Jm [N-LBS-SEC ²] [Kg-M ²]	.0035 [0.00039]
	Tf [N-LBS] [Nm]	1.0 [0.11]

*25°C AMBIENT WITH A MAXIMUM CASE TEMPERATURE OF 100°C ON MOTOR. MOTOR MOUNTED ON A 12" X 12" X 1/2" ALUMINUM HEATSINK. THERMOSTAT IN STATOR WINDINGS WILL OPEN IF WINDING TEMPERATURE EXCEEDS 155°C. THIS ALLOWS FOR AN APPROXIMATE +10% HEADROOM IN THE CONTINUOUS TORQUE RATING BEFORE THERMOSTAT OPENS.

MECHANICAL NOTES:

1. AXIAL LOAD: 50 LBS MAX
2. RADIAL LOAD: 100 LBS MAX @ 1" FROM FACE
3. MOTOR SEALED TO IP65.
4. MOTOR WEIGHT: 17.8 LBS. [8.1 Kg]
5. MOTOR FINISH: BLACK EPOXY
6. MOTOR OUTPUT SHAFT: STAINLESS STEEL
7. INCHES (MILLIMETERS)

ENCODER: (290-00073)

OH48-2048P6-L6-5V

CONNECTION CHART

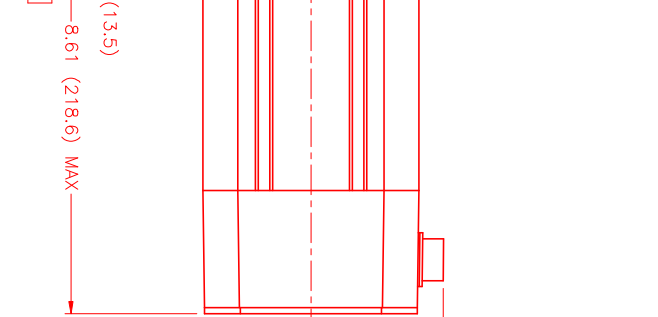
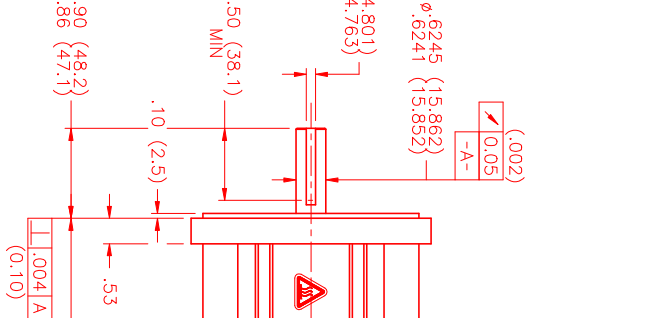
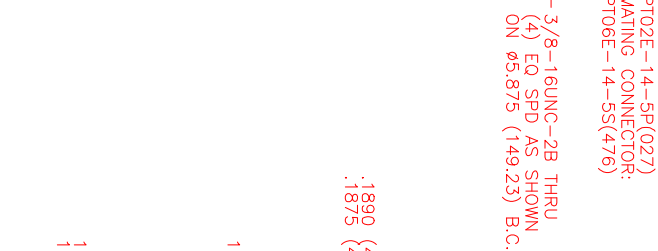
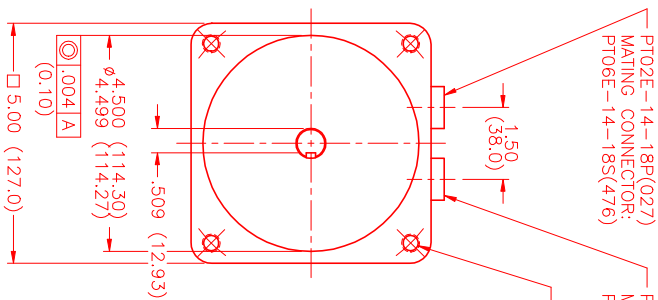
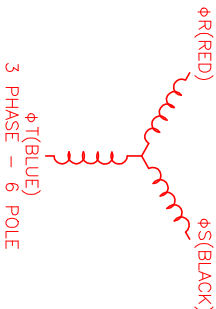
MOTOR CONNECTOR:
PT02E-14-5P(027)
(270-00026)

PIN	WIRE FUNCTION	WIRE COLOR
A	ΦR	RED
B	ΦS	BLACK
C	ΦT	BLUE
D	PE GND	GRN/YEL.
E	-	-

ENCODER/THERM CONNECTOR:

PT02E-14-18P(027)
(270-00024)

PIN	WIRE FUNCTION	WIRE COLOR
T	GROUND	BLACK
K	+5VDC	RED
B	CH A	BLUE
C	CH A \	BLUE/BLK
N	CH B	GREEN
P	CH B \	GRN/BLK
M	CH Z	YELLOW
U	CH Z \	YEL/BLK
E	CH U	BROWN
R	CH U \	BRN/BLK
F	CH V	GRAY
S	CH V \	GRAY/BLK
G	CH W	WHITE
H	CH W \	WHT/BLK
D	GND/CABLE	SHLD.
A	THERM	BLACK
L	THERM	BLACK
J	GND	GRN/YEL



HALL LEADS	BROWN	GRAY	WHITE
MOTOR LEADS	BLACK respect to RED	RED respect to BLUE	BLUE respect to BLACK

VIEW ON THE OSCILLOSCOPE

*MOTOR ROTATION CCW (COUNTER CLOCKWISE) (LOOKING AT THE FACE OF THE MOTOR)



NO.	PART NUMBER	DESCRIPTION	QTY.
UNLESS SPECIFIED			
DESIGN: 2004-000			
DATE: 12/13/99			
SCALE: 1/2:1			
APPROVED:			
DESIGNED:			
CHECKED:			
DRAWN:			
DATE: 12/13/99			
SCALE: 1/2:1			
APPROVED:			
DESIGNED:			
CHECKED:			
DRAWN:			
DATE: 12/13/99			
SCALE: 1/2:1			
APPROVED:			
DESIGNED:			
CHECKED:			
DRAWN:			
DATE: 12/13/99			
SCALE: 1/2:1			
APPROVED:			
DESIGNED:			
CHECKED:			
DRAWN:			
DATE: 12/13/99			
SCALE: 1/2:1			
APPROVED:			
DESIGNED:			
CHECKED:			
DRAWN:			
DATE: 12/13/99			
SCALE: 1/2:1			
APPROVED:			
DESIGNED:			
CHECKED:			
DRAWN:			
DATE: 12/13/99			
SCALE: 1/2:1			
APPROVED:			
DESIGNED:			
CHECKED:			
DRAWN:			
DATE: 12/13/99			
SCALE: 1/2:1			
APPROVED:			
DESIGNED:			
CHECKED:			
DRAWN:			
DATE: 12/13/99			
SCALE: 1/2:1			
APPROVED:			
DESIGNED:			
CHECKED:			
DRAWN:			
DATE: 12/13/99			
SCALE: 1/2:1			
APPROVED:			
DESIGNED:			
CHECKED:			
DRAWN:			
DATE: 12/13/99			
SCALE: 1/2:1			
APPROVED:			
DESIGNED:			
CHECKED:			
DRAWN:			
DATE: 12/13/99			
SCALE: 1/2:1			
APPROVED:			
DESIGNED:			
CHECKED:			
DRAWN:			
DATE: 12/13/99			
SCALE: 1/2:1			
APPROVED:			
DESIGNED:			
CHECKED:			
DRAWN:			
DATE: 12/13/99			
SCALE: 1/2:1			
APPROVED:			
DESIGNED:			
CHECKED:			
DRAWN:			
DATE: 12/13/99			
SCALE: 1/2:1			
APPROVED:			
DESIGNED:			
CHECKED:			
DRAWN:			
DATE: 12/13/99			
SCALE: 1/2:1			
APPROVED:			
DESIGNED:			
CHECKED:			
DRAWN:			
DATE: 12/13/99			
SCALE: 1/2:1			
APPROVED:			
DESIGNED:			
CHECKED:			
DRAWN:			
DATE: 12/13/99			
SCALE: 1/2:1			
APPROVED:			
DESIGNED:			
CHECKED:			
DRAWN:			
DATE: 12/13/99			
SCALE: 1/2:1			
APPROVED:			
DESIGNED:			
CHECKED:			
DRAWN:			
DATE: 12/13/99			
SCALE: 1/2:1			
APPROVED:			
DESIGNED:			
CHECKED:			
DRAWN:			
DATE: 12/13/99			
SCALE: 1/2:1			
APPROVED:			
DESIGNED:			
CHECKED:			
DRAWN:			
DATE: 12/13/99			
SCALE: 1/2:1			
APPROVED:			
DESIGNED:			
CHECKED:			
DRAWN:			
DATE: 12/13/99			
SCALE: 1/2:1			
APPROVED:			
DESIGNED:			
CHECKED:			
DRAWN:			
DATE: 12/13/99			
SCALE: 1/2:1			
APPROVED:			
DESIGNED:			
CHECKED:			
DRAWN:			
DATE: 12/13/99			
SCALE: 1/2:1			
APPROVED:			
DESIGNED:			
CHECKED:			
DRAWN:			
DATE: 12/13/99			
SCALE: 1/2:1			
APPROVED:			
DESIGNED:			
CHECKED:			
DRAWN:			
DATE: 12/13/99			
SCALE: 1/2:1			
APPROVED:			
DESIGNED:			
CHECKED:			
DRAWN:			
DATE: 12/13/99			
SCALE: 1/2:1			
APPROVED:			
DESIGNED:			
CHECKED:			
DRAWN:			
DATE: 12/13/99			
SCALE: 1/2:1			
APPROVED:			
DESIGNED:			
CHECKED:			
DRAWN:			
DATE: 12/13/99			
SCALE: 1/2:1			
APPROVED:			
DESIGNED:			
CHECKED:			
DRAWN:			
DATE: 12/13/99			
SCALE: 1/2:1			
APPROVED:			
DESIGNED:			
CHECKED:			
DRAWN:			
DATE: 12/13/99			
SCALE: 1/2:1			
APPROVED:			
DESIGNED:			
CHECKED:			
DRAWN:			
DATE: 12/13/99			
SCALE: 1/2:1			
APPROVED:			
DESIGNED:			
CHECKED:			
DRAWN:			
DATE: 12/13/99			
SCALE: 1/2:1			
APPROVED:			
DESIGNED:			
CHECKED:			
DRAWN:			
DATE: 12/13/99			
SCALE: 1/2:1			
APPROVED:			
DESIGNED:			
CHECKED:			
DRAWN:			
DATE: 12/13/99			
SCALE: 1/2:1			
APPROVED:			
DESIGNED:			
CHECKED:			
DRAWN:			
DATE: 12/13/99			
SCALE: 1/2:1			
APPROVED:			
DESIGNED:			
CHECKED:			
DRAWN:			
DATE: 12/13/99			
SCALE: 1/2:1			
APPROVED:			
DESIGNED:			
CHECKED:			
DRAWN:			
DATE: 12/13/99			
SCALE: 1/2:1			
APPROVED:			
DESIGNED:			
CHECKED:			
DRAWN:			
DATE: 12/13/99			
SCALE: 1/2:1			
APPROVED:			
DESIGNED:			
CHECKED:			
DRAWN:			
DATE: 12/13/99			
SCALE: 1/2:1			
APPROVED:			
DESIGNED:			
CHECKED:			
DRAWN:			
DATE: 12/13/99			
SCALE: 1/2:1			
APPROVED:			
DESIGNED:			
CHECKED:			
DRAWN:			
DATE: 12/13/99			
SCALE: 1/2:1			
APPROVED:			
DESIGNED:			
CHECKED:			
DRAWN:			
DATE: 12/13/99			
SCALE: 1/2:1			
APPROVED:			
DESIGNED:			
CHECKED:			
DRAWN:			
DATE: 12/13/99			
SCALE: 1/2:1			
APPROVED:			
DESIGNED:			
CHECKED:			
DRAWN:			
DATE: 12/13/99			
SCALE: 1/2:1			
APPROVED:			
DESIGNED:			
CHECKED:			