

MOTOR DATA @ 230 VAC (TRAP)

MOTOR PARAMETERS	UNITS	VALUE
HORSEPOWER	HP	2.1
KILOWATTS	KW RATED	1.6
MAX. OPERATING SPEED	N MAX	4200
SPEED @ RATED TORQUE	RPM	3000
* CONTINUOUS RATED TORQUE @ 3000 RPM	IN-LBS [Nm]	45.0 [5.1]
* CONTINUOUS STALL TORQUE	IN-LBS [Nm]	54.0 [6.1]
CONTINUOUS LINE CURRENT	AMPS	8.7
PEAK CURRENT	IN-LBS [Nm]	189.1 [21.3]
MAX. THEORETICAL ACCEL.	AMPS	30.5
TORQUE SENSITIVITY	RAD/SEC ²	48,487
BACK EMF (LINE TO LINE)	K _t IN-LBS/AMP [Nm/AMP]	6.2 [0.71]
D.C. RESISTANCE (P-P)	Vrms/Krpm	55.0
INDUCTANCE (P-P)	OHMS	0.82
ROTOR INERTIA W/BRAKE	MILLIHENRIES	6.1
STATIC FRICTION	Jm [IN-LBS-SEC ²] [Kg-M ²]	.0039 [0.0044]
	Tf [IN-LBS] [Nm]	1.0 [0.11]

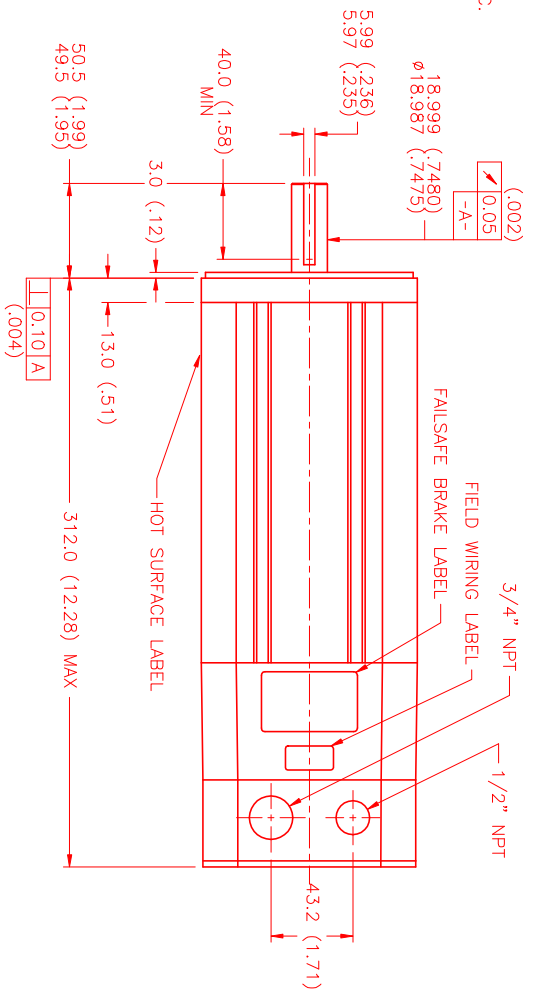
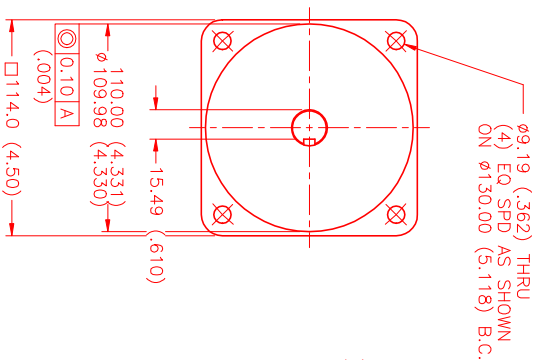
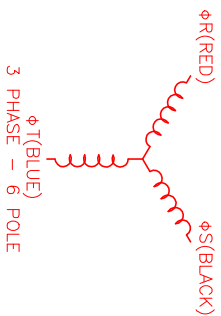
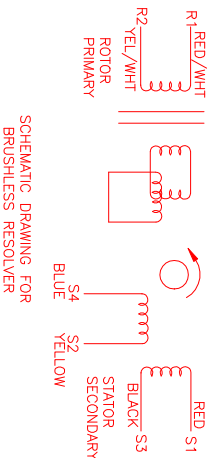
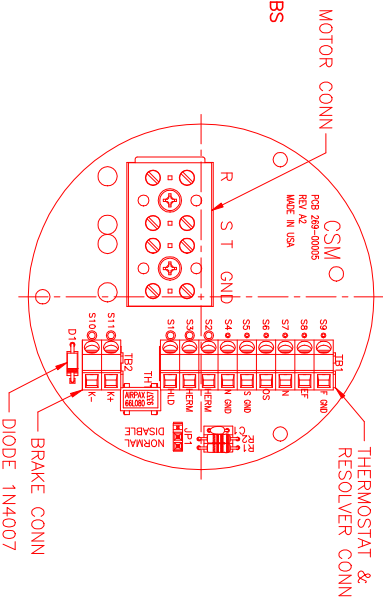
*25°C AMBIENT WITH A MAXIMUM CASE TEMPERATURE OF 100°C ON MOTOR. MOTOR MOUNTED ON A 12" X 12" X 1/2" ALUMINUM HEATSINK. THERMOSTAT IN STATOR WINDINGS WILL OPEN IF WINDING TEMPERATURE EXCEEDS 155°C. THIS ALLOWS FOR AN APPROXIMATE +10% HEADROOM IN THE CONTINUOUS TORQUE RATING BEFORE THERMOSTAT OPENS.

- MECHANICAL NOTES:**
- AXIAL LOAD: 50 LBS MAX
 - RADIAL LOAD: 100 LBS MAX @ 1" FROM FACE
 - MOTOR SEALED TO IP65.
 - MOTOR WEIGHT: 23.4 LBS. [10.6 kg]
 - MOTOR FINISH: BLACK EPOXY
 - MOTOR OUTPUT SHAFT: STAINLESS STEEL
 - INCHES (MILLIMETERS)

CONNECTION CHART

MOTOR WIRE LEADS	WIRE FUNCTION	WIRE COLOR
TERMINAL	FUNCTION	COLOR
-	ΦR	RED
-	ΦS	BLACK
-	ΦT	BLUE
-	PE GND	GRN/YEL

RES/THERM/BRK WIRE LEADS	WIRE FUNCTION	WIRE COLOR
TERMINAL	FUNCTION	COLOR
S11	BRK (+)	BLUE
S10	BRK (-)	BLUE
S9	REF GND	YEL/WHI
S8	REF	RED/WHI
S7	SIN	YELLOW
S6	COS	RED
S5	COS GND	BLACK
S4	SIN GND	BLUE
S3	THERM	BLACK
S2	THERM	BLACK
S1	RES SHLD	GRN/YEL



NO.	PART NUMBER	DESCRIPTION	QTY.
UNLESS SPECIFIED			
DECIMAL: .003 & .005			
FRACTIONAL: 1/16, 1/8, 1/4, 1/2, 3/4, 1, 1 1/2			
ANGLE: 1/2°			
DATE: 7/8/99			
DESIGNED BY: MVS			
CHECKED BY:			
TITLE:			
SCALE: 1/2:1			
APPROVED BY:			
DRAWING NUMBER: MPM1141ATG7G3R			

MTS
Automation Division

REV.	DESCRIPTION	DATE	APPD.
PRELIMINARY		7/8/99	MVS

DATE: 7/230/MET/RES/NPT/BRK
REV: PRELIMINARY
DRAWING NUMBER: MPM1141ATG7G3R