

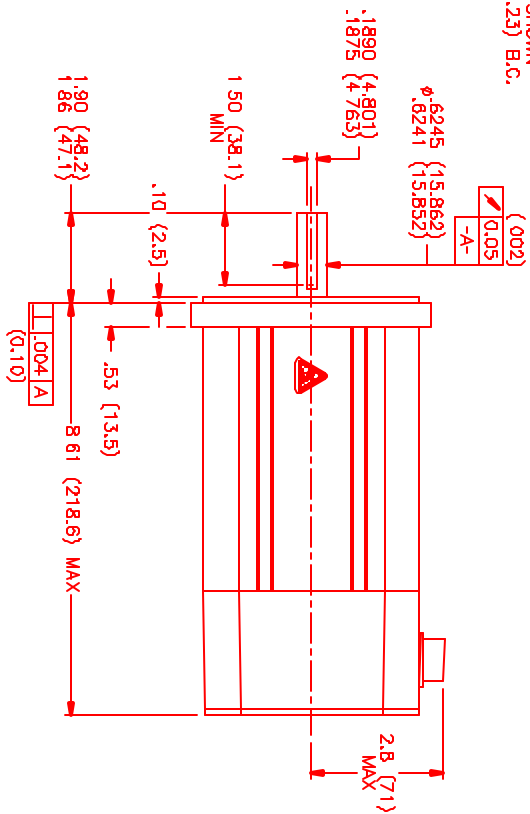
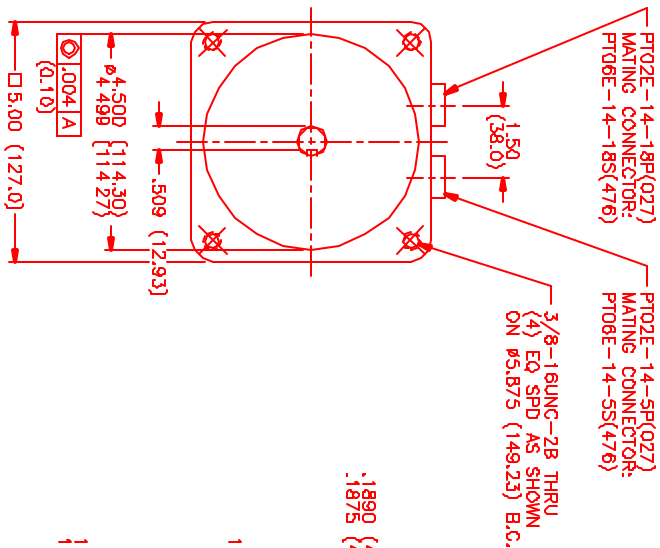
MOTOR DATA @ 230 VAC (SINE)

MOTOR PARAMETERS	UNITS	VALUE
MOTOR HORSEPOWER	HP RATED	2.1
	KW RATED	1.6
MAX. OPERATING SPEED	N MAX	4200
* CONTINUOUS RATED TORQUE	N RATED	3000
* CONTINUOUS STALL TORQUE	IN-LBS[Nm]	45.0[5.1]
CONTINUOUS LINE CURRENT	AMPS[RMS/Φ]	54.0[6.1]
PEAK CURRENT	IN-LBS[Nm]	6.2
	AMPS[RMS/Φ]	189.0[21.3]
MAX. THEORETICAL ACCEL	RD/SEC ²	21.6
TORQUE SENSITIVITY	Kt N-LBS/AMPS/Φ[Nm/AM/Φ]	54.000
BACK EMF (LINE TO LINE)	Vrms/Krpm	8.8[.99]
D.C. RESISTANCE (P-P)	OHMS	±10% 55.0
INDUCTANCE (P-P)	MILLIHENRIES	±10% .85
ROTOR INERTIA	Jm	6.1
STATIC FRICTION	IN-LBS-SEC ² [Kg-M ²]	.0035[.00039]
	IN-LBS[Nm]	1.0[.11]

*25°C AMBIENT WITH A MAXIMUM CASE TEMPERATURE OF 100°C ON MOTOR. MOTOR MOUNTED ON A 12" X 12" X 1/2" ALUMINUM HEATSINK. THERMOSTAT IN STATOR WINDINGS WILL OPEN IF WINDING TEMPERATURE EXCEEDS 155°C. THIS ALLOWS FOR AN APPROXIMATE +10% HEADROOM IN THE CONTINUOUS TORQUE RATING BEFORE THERMOSTAT OPENS.

MECHANICAL NOTES:

1. AXIAL LOAD: 50 LBS MAX
2. RADIAL LOAD: 100 LBS MAX @ 1" FROM FACE
3. MOTOR SEALED TO IP65.
4. MOTOR WEIGHT: 18.4 LBS. [8.3 Kg]
5. MOTOR FINISH: BLACK EPOXY
6. MOTOR OUTPUT SHAFT: STAINLESS STEEL
7. INCHES (MILLIMETERS)



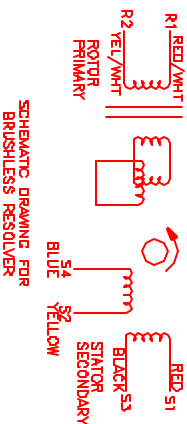
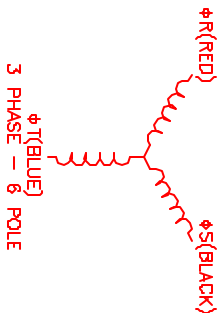
CONNECTION CHART

MOTOR CONNECTOR:
PT02E-14-5P(Q27)
(270-00026)

PIN	WIRE FUNCTION	WIRE COLOR
A	ΦR	RED
B	ΦS	BLACK
C	ΦT	BLUE
D	PE GND	GRN/YEL
E	-	-

RESOLVER/THERM CONNECTOR:
PT02E-14-1BP(Q27)
(270-00024)

PIN	WIRE FUNCTION	WIRE COLOR
U	THERM	BLACK
N	THERM	BLACK
H	SIN	YELLOW
G	COS GND	BLACK
S	COS	RED
F	SIN GND	BLUE
R	REF GND	YEL/WHI
E	REF	RED/WHI
D	RES SHLD	GRN/YEL
P	GND	GRN/YEL
A	-	-
B	-	-
C	-	-
J	-	-
K	-	-
L	-	-
M	-	-
T	-	-



SCHEMATIC DRAWING FOR BRUSHLESS RESOLVER

REV	REVISION	DATE	APP
1	PRELIMINARY	3/28/00	LIN

NO.	PART NUMBER	DESCRIPTION	QTY.
1	MPS Systems Corporation Automation Division		
TITLE: 4" SINE/230/ENV/RES/CONN DATE: 3/28/00 DRAWN BY: [Signature] CHECKED BY: [Signature] APPROVED BY: [Signature]			
PART NUMBER: MPM1141ASG6G1N			SCALE: 1/2"=1"