

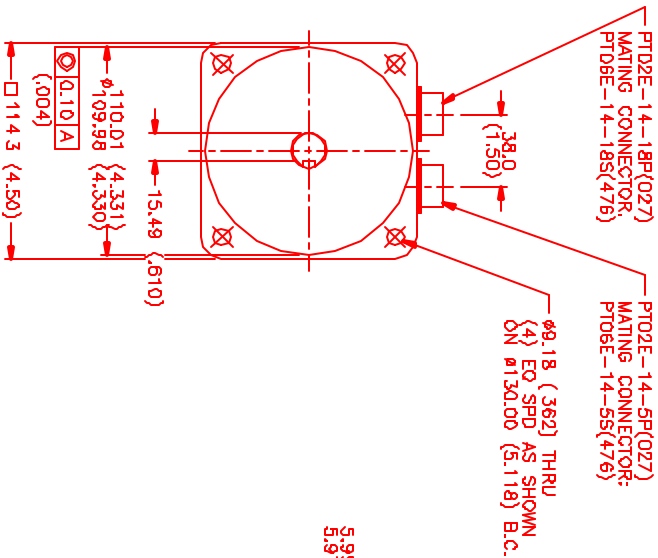
MOTOR DATA @ 230 VAC (TRAP)

| MOTOR PARAMETERS | UNITS | VALUE |
|---------------------------|---|--------------------|
| HORSEPOWER | HP RATED | 0.76 |
| KILOWATTS | KW RATED | 0.56 |
| MAX. OPERATING SPEED | N MAX | 1900 |
| SPEED @ RATED TORQUE | N RATED | 1400 |
| * CONTINUOUS RATED TORQUE | N-LEBS [Nm] | 34.0 [3.8] |
| * CONTINUOUS STALL TORQUE | N-LEBS [Nm] | 36.0 [4.3] |
| CONTINUOUS LINE CURRENT | AMPS | 3.0 |
| PEAK TORQUE | N-LEBS [Nm] | 114.0 [12.9] |
| PEAK CURRENT | AMPS | 9.0 |
| MAX. THEORETICAL ACCEL | RAD/SEC ² | 80,000 |
| TORQUE SENSITIVITY | K _t N-LEBS/AMP [Nm/AMP] | 12.4 [1.40] |
| BACK EMF (LINE TO LINE) | Vrms/Krpm | 110.0 |
| D.C. RESISTANCE (P-P) | OHMS | 13.1 |
| INDUCTANCE (P-P) | MILLIHENRIES | 64.6 |
| ROTOR INERTIA | Jm [N-LEBS-SEC ² Kg-M ²] | 0.00191 [0.000211] |
| STATIC FRICTION | Tf [N-LEBS [Nm] | 0.81 [0.09] |

*25°C AMBIENT WITH A MAXIMUM CASE TEMPERATURE OF 100°C ON MOTOR. MOTOR MOUNTED ON A 12" X 12" X 1/2" ALUMINUM HEATSINK. THERMOSTAT IN STATOR WINDINGS WILL OPEN IF WINDING TEMPERATURE EXCEEDS 155°C. THIS ALLOWS FOR AN APPROXIMATE +10% HEADROOM IN THE CONTINUOUS TORQUE RATING BEFORE THERMOSTAT OPENS.

MECHANICAL NOTES:

1. AXIAL LOAD: 50 LBS MAX
2. RADIAL LOAD: 100 LBS MAX @ 1" FROM FACE
3. MOTOR SEALED TO IP65.
4. MOTOR WEIGHT: 13.2 LBS. [6.0 kg]
5. MOTOR FINISH: BLACK EPOXY
6. MOTOR OUTPUT SHAFT: STAINLESS STEEL
7. MILLIMETERS (INCHES)



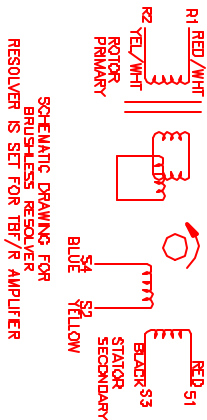
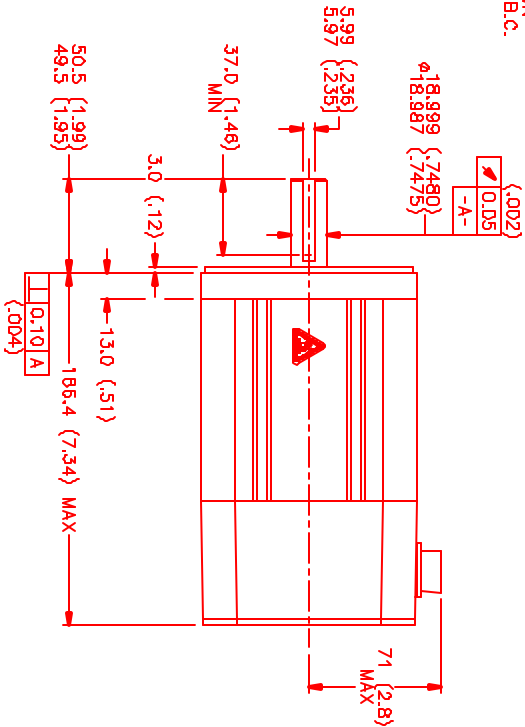
CONNECTION CHART

MOTOR CONNECTOR:
PTO2E-14-5P(027)
(270-00026)

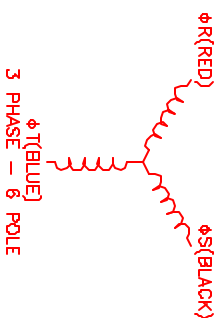
| PIN | WIRE FUNCTION | WIRE COLOR |
|-----|---------------|------------|
| A | ΦR | RED |
| B | ΦS | BLACK |
| C | ΦT | BLUE |
| D | PE GND | GRN/YEL |
| E | - | - |

RESOLVER/THERM CONNECTOR:
PTO2E-14-1BR(027)
(270-00024)

| PIN | WIRE FUNCTION | WIRE COLOR |
|-----|---------------|------------|
| A | RES | RED |
| B | THERM | BLACK |
| C | THERM | BLACK |
| D | SIN | YELLOW |
| E | POS GND | BLACK |
| F | POS | RED |
| G | SIN GND | BLUE |
| H | REF GND | YEL/WHI |
| I | REF | RED/WHI |
| J | RES SHLD | GRN/YEL |
| K | GND | GRN/YEL |
| L | - | - |
| M | - | - |
| T | - | - |



SCHEMATIC DRAWING FOR BRUSHLESS RESOLVER
RESOLVER IS SET FOR TBF/R AMPLEVER



3 PHASE - 6 POLE

| NO. | PART NUMBER | DESCRIPTION | QTY. |
|---|----------------|--|------|
| 1 | MPM1140BTG7H1N | MPS Systems Corporation Automation Division | 1 |
| TITLE: TBF/TRAP/230/NET/TBTR/CONN DATE: 6/28/01 DRAWN: AJS CHECKED: AJS APPROVED: AJS PART NUMBER: MPM1140BTG7H1N QUANTITY: 1/2:1 | | | |

| REV. | DESCRIPTION | DATE | APP. |
|------|-------------|---------|------|
| 1 | PRELIMINARY | 6/25/01 | AJS |