



RM Series

Optional Step Motors

The optional RM series step motors have been carefully selected to provide the optimum torque/speed performance from an SD2, SD3, CD20, 25, 25M, 30, 35, 35M rack-mounted drives.

Technical Data

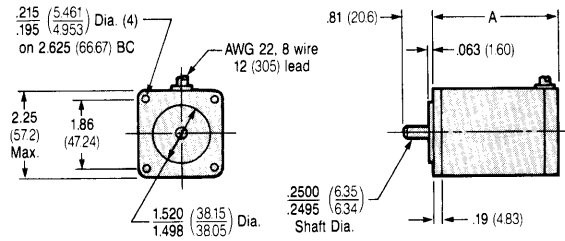
		Size 23			Size 34			Size 42	
		RM 57-51	RM 57-83	RM 57-102	RM 83-62	RM 83-93	RM 83-135	RM 106-178	RM 106-205
Motor compatibility									
SD2		Yes	Yes	Yes	—	—	—	—	—
SD3		Yes	Yes	Yes	Yes	Yes	—	—	—
CD20/25/25M		Yes	Yes	Yes	Yes	Yes	—	—	—
CD30/35/35M		—	—	—	Yes	Yes	Yes	Yes	Yes
Rotor inertia									
oz-in ²		0.48	1.28	1.75	3.50	6.70	10.24	44.0	52.0
(Kg-cm ²)		(0.088)	(0.234)	(0.320)	(0.64)	(1.23)	(1.87)	(8.05)	(9.51)
Bearings:									
Thrust load	lb.	25	25	25	50	50	50	50	50
	(Kg)	(11.32)	(11.32)	(11.32)	(22.64)	(22.64)	(22.64)	(22.64)	(22.64)
Radial load	lb.	15	15	15	25	25	25	25	25
	(Kg)	(6.79)	(6.79)	(6.79)	(11.32)	(11.32)	(11.32)	(11.32)	(11.32)
End Play	in.	0.005	0.005	0.005	0.005	0.005	0.005	0.005	0.005
Reversing Load	(cm)	(0.013)	(0.013)	(0.013)	(0.013)	(0.013)	(0.013)	(0.013)	(0.013)
Equal to 1 lb. 2 lb. for RM162-308									
Radial Play	in.	0.0008	0.0008	0.0008	0.0008	0.0008	0.0008	0.0008	0.0008
Per 0.5 lbs. load	(cm)	(0.002)	(0.002)	(0.002)	(0.002)	(0.002)	(0.002)	(0.002)	(0.002)
Motor lead or cable length		Cable 10'	Cable 10'	Cable 10'	Cable 10'	Cable 10'	Cable 10'	Cable 10'	Cable 10'
Motor + Weight	lbs.	1.6	2.4	3.2	3.8	5.12	8.3	19.11	23.4
	(Kg)	(0.73)	(1.09)	(1.45)	(1.73)	(2.33)	(3.77)	(8.69)	(10.64)

RM Series

Optional Step Motors

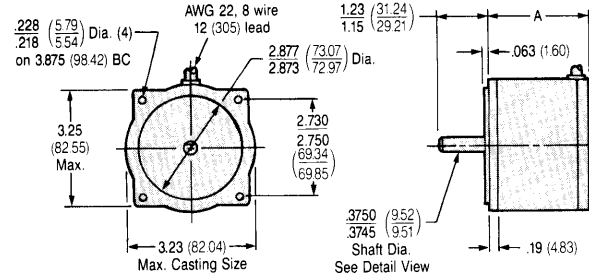
Dimensions (—) denotes millimeters

Size 23 frame



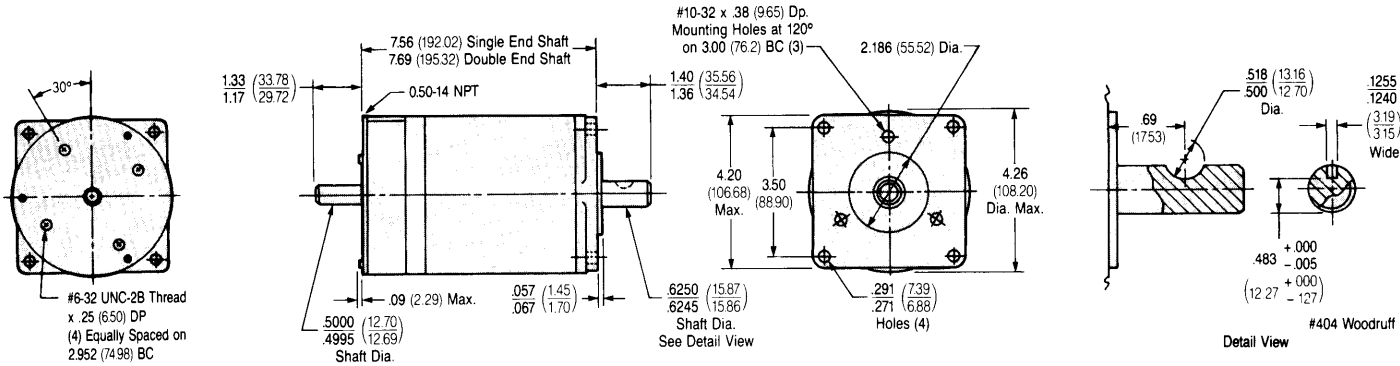
Model	A
RM57-51	2.0 (50.8)
RM57-83	3.2 (81.28)
RM57-102	4.0 (101.6)

Size 34 frame



Model	A
RM83-62	2.4 (60.96)
RM83-93	3.67 (93.23)
RM83-135	4.98 (126.49)

Size 42 frame-RM106-178



Size 42 frame-RM106-205

