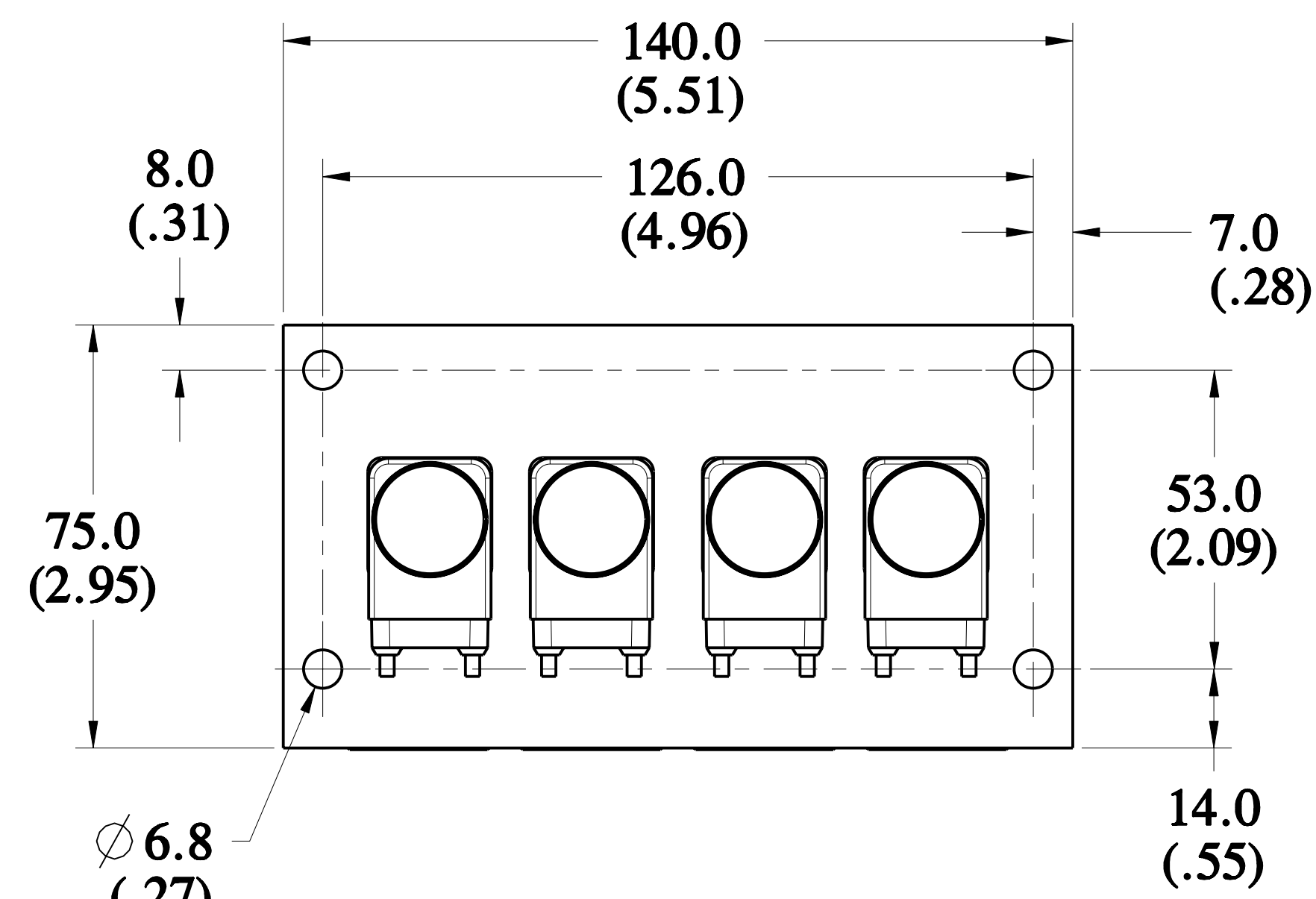
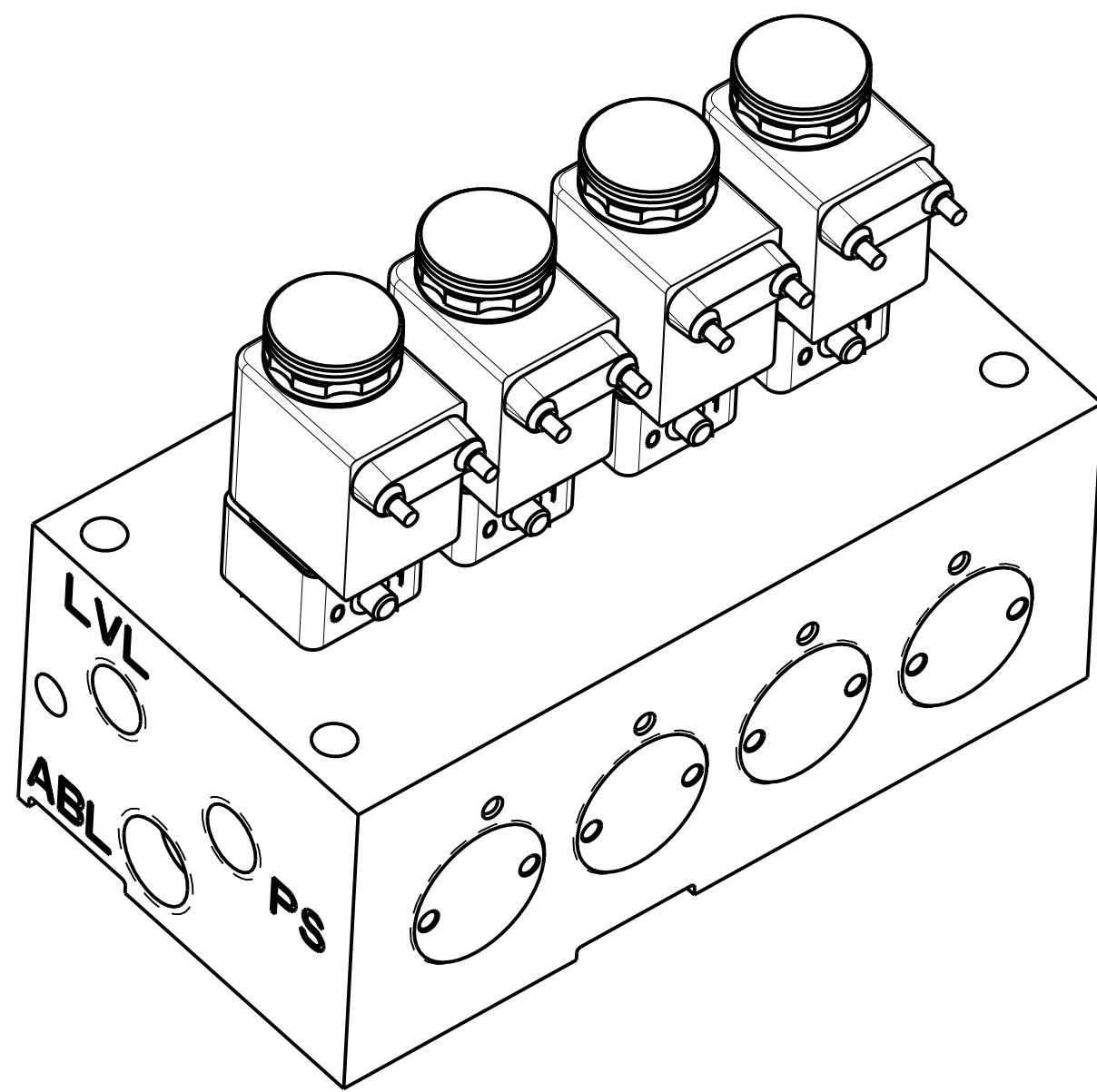
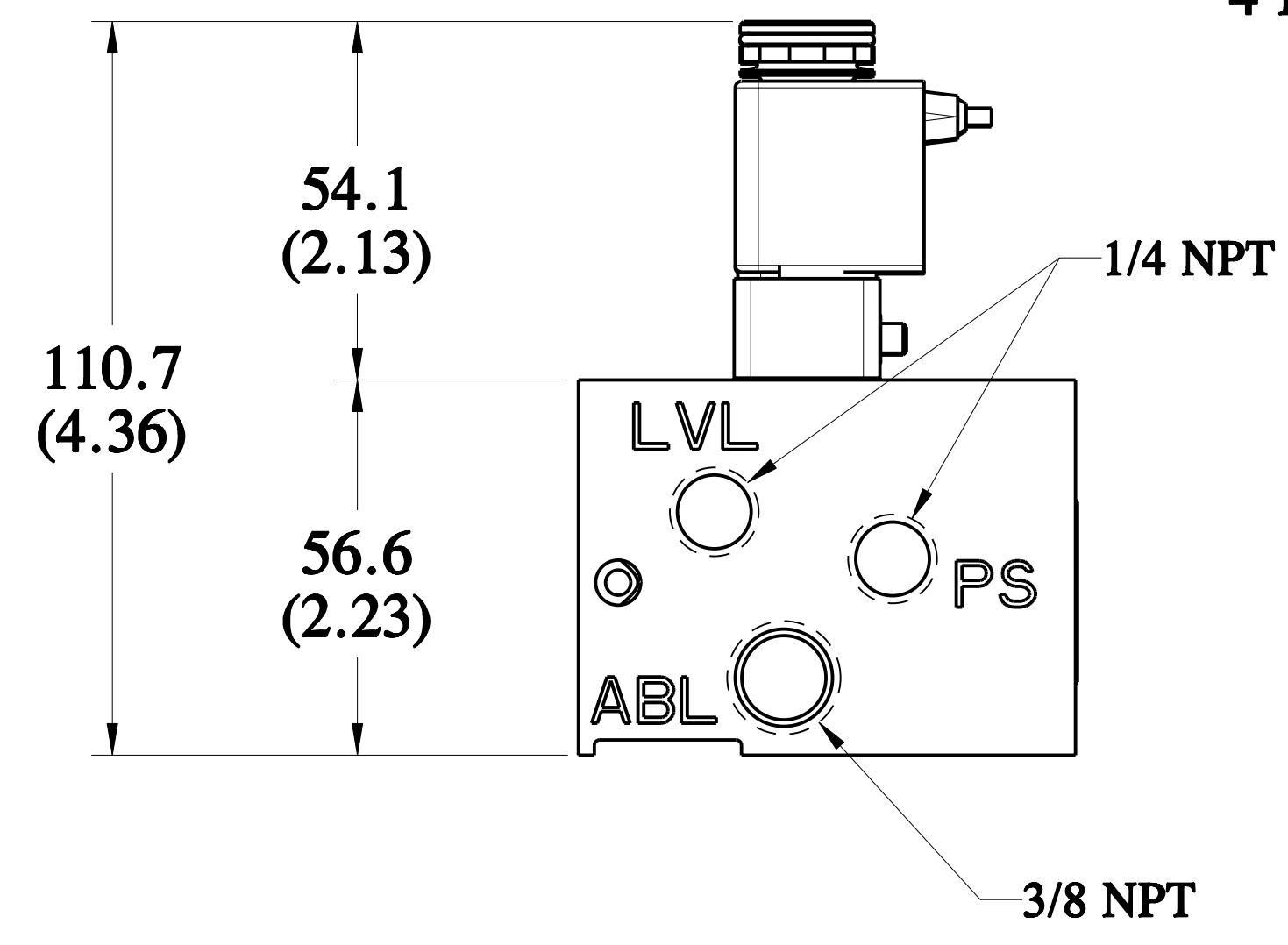


DRAWING NO.	KM_INSTALLATION	REV.	1	2	3	4	5	6	7	8	9	10	11	12	13	14	15	16	17	18	19	20	21	22	23	24	25	26	27	28	29	30	31	32	33	34	35	36	37	38	39						
REFERENCE		CHG. NO.																																													
		DATE																																													
		BY																																													
		CHK																																													

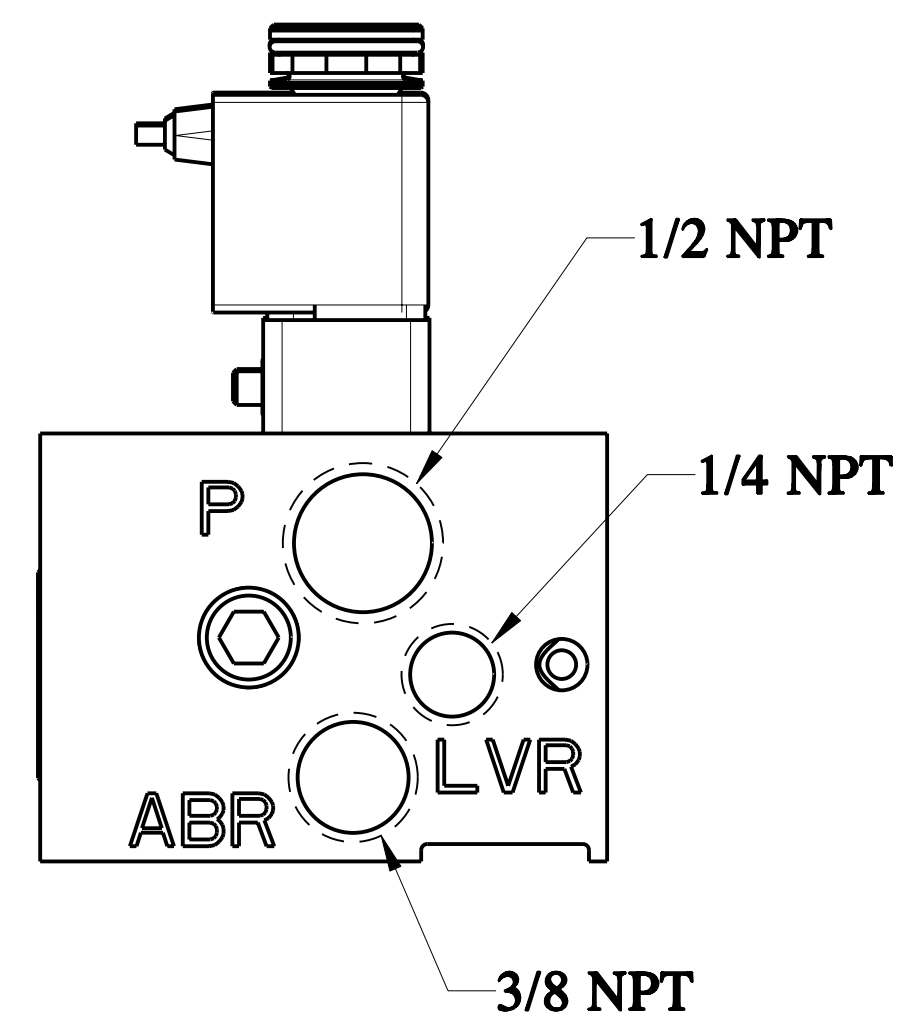
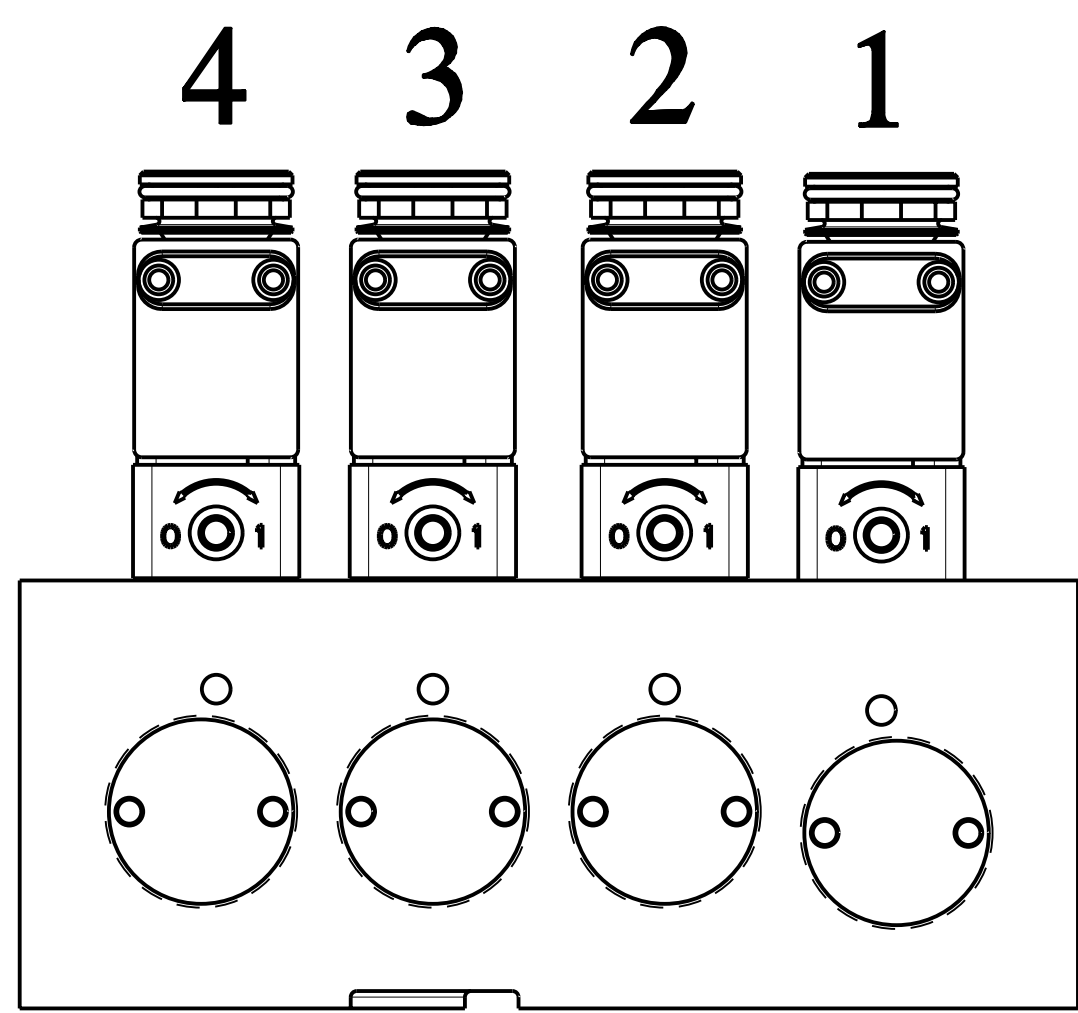


	RIGHT SIDE			LEFT SIDE			BOTH SIDES			NORMAL RIDE HEIGHT
	KNEEL	KNEEL HOLD	RAISE	KNEEL	KNEEL HOLD	RAISE	KNEEL	KNEEL HOLD	RAISE	
1	ON	ON	ON	OFF	OFF	OFF	ON	ON	ON	OFF
2	OFF	OFF	ON	OFF	OFF	ON	OFF	OFF	ON	OFF
3	ON	OFF	OFF	ON	OFF	OFF	ON	OFF	OFF	OFF
4	OFF	OFF	OFF	ON	ON	ON	ON	ON	ON	OFF

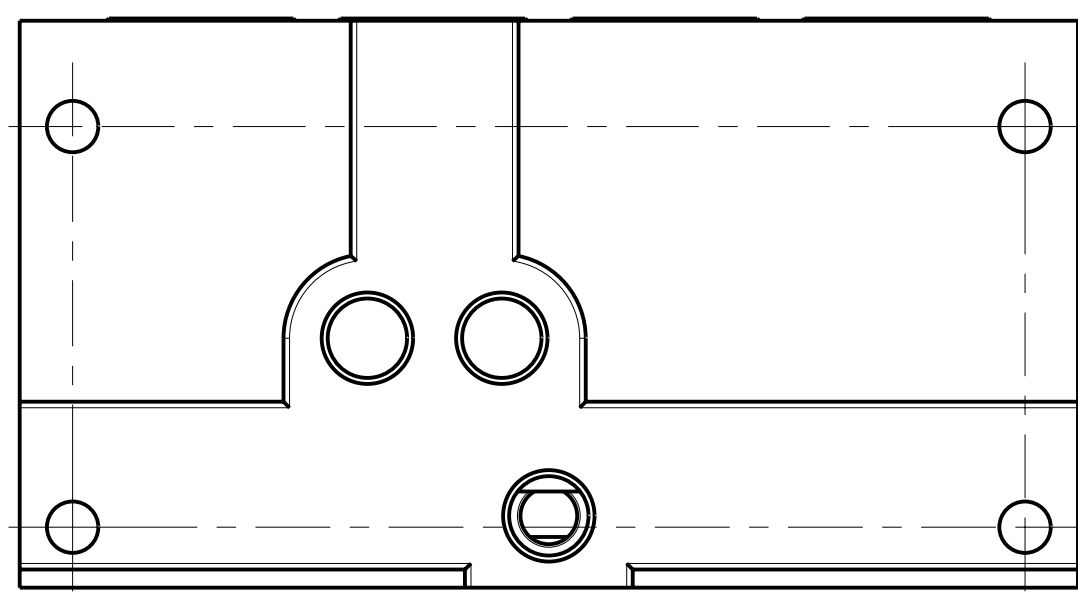
MOUNTING HOLES  
4 PLACES



LEFT SIDE



RIGHT SIDE



# PARKER 4 STATION KNEELING MODULE INSTALLATION

DIMENSIONS IN MILLIMETERS

- UNLESS OTHERWISE SPECIFIED
- TOLERANCES: LINEAR DIMS.: 0.0 ± 0.2; 0.00 ± 0.10
- ANGULAR DIMS.: ± 2°
- CONCENTRICITY: 0.125 T.I.R.
- GD&T: ASME Y14.5M-1994
- ADD DRAFT TO DIM. SHOWN
- SUBTRACT DRAFT FROM DIM. SHOWN
- MACHINED SURFACES: 3.2 MICRO M FINISH
- SCREW THREADS: UNIFIED: ANSI/ASME B1.1 (LATEST)
- METRIC: ANSI B1.13M (LATEST)
- INTERNAL THDS.: C'SINK 90° MAJ. DIA.
- CORNERS AND FILLETS SHARP WITHIN 0.2 RADIUS OR CHAMFER
- TO BE FREE OF BURRS AND DEGREASED
- AROUND DIMENSION DENOTES CRITICAL DIMENSION PER US-1014

THIS DOCUMENT CONTAINS INFORMATION THAT IS CONFIDENTIAL AND PROPRIETARY TO PARKER HANFORTH CORPORATION (PARKER). THIS DOCUMENT IS FURNISHED ON THE UNDERSTANDING THAT THE DOCUMENT AND THE INFORMATION IT CONTAINS WILL NOT BE COPIED OR DISCLOSED TO OTHERS OR USED FOR ANY PURPOSE OTHER THAN CONDUCTING BUSINESS WITH PARKER, AND WILL BE RETURNED AND ALL FURTHER USE DISCONTINUED UPON REQUEST BY PARKER. COPYRIGHT PARKER. YEAR OF COPYRIGHT IS FIRST YEAR INDICATED ON THIS DOCUMENT. ALL RIGHTS RESERVED.

MATERIAL: \_\_\_\_\_

FINISH: \_\_\_\_\_

SCALE: 1:1

DR. BY: \_\_\_\_\_

CHK. BY: \_\_\_\_\_

APPD. BY: \_\_\_\_\_

DO NOT SCALE DRAWING

THIRD ANGLE PROJECTION

**Parker** PNEUMATIC DIV. RICHLAND, MICH., 49083

REV. 1.1

REFERENCE KNEELING MODULE

PART NO. N/A

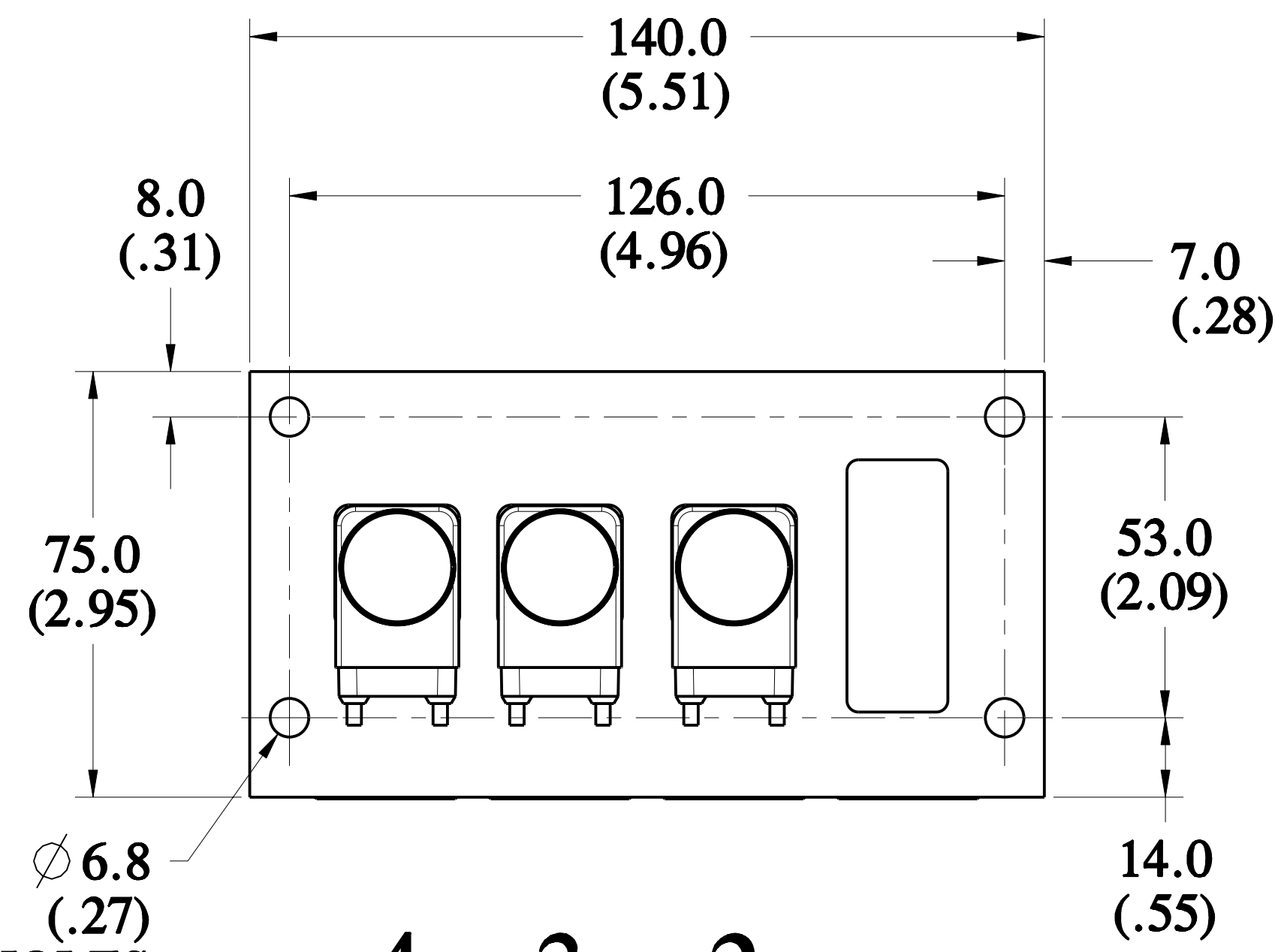
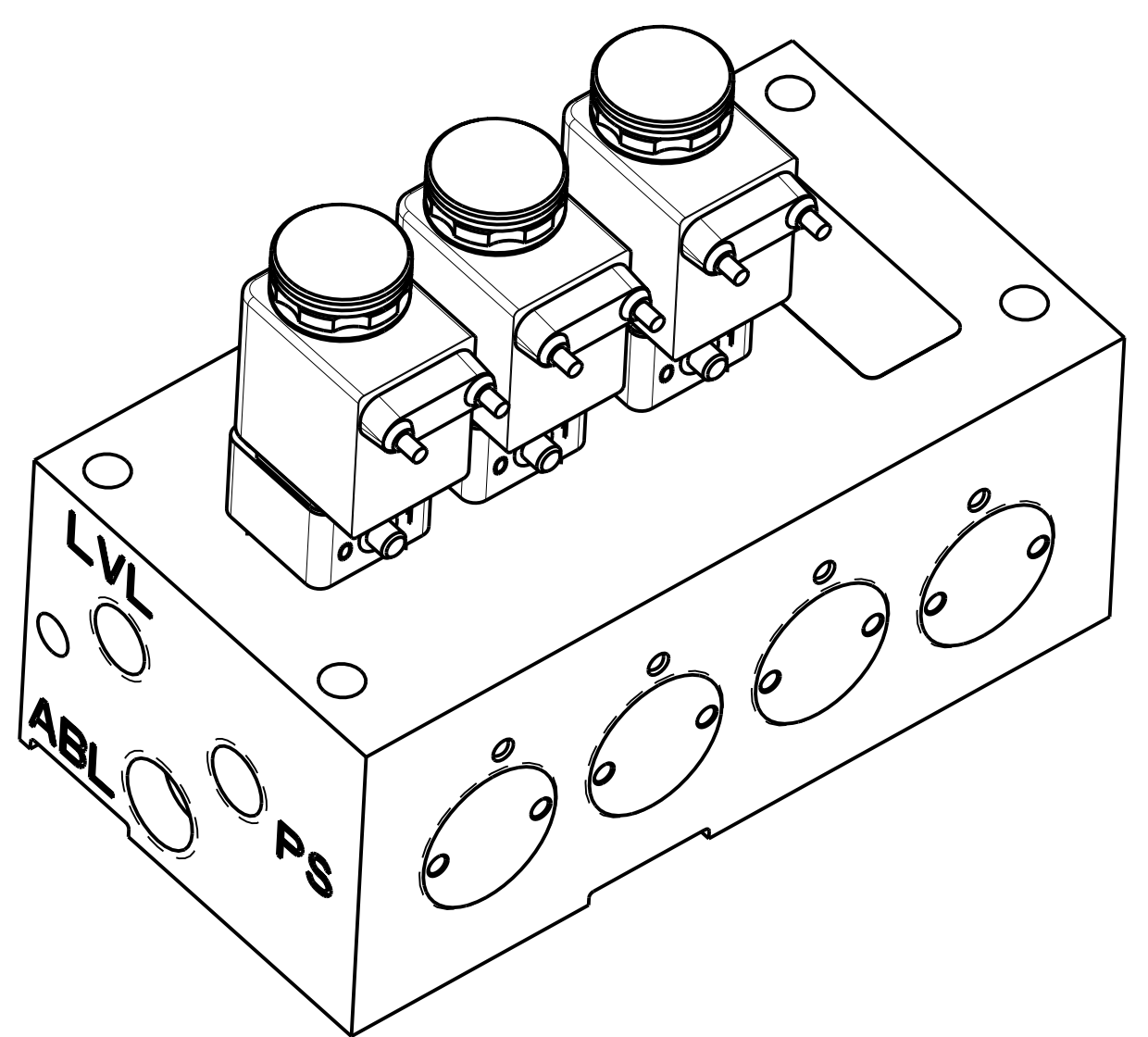
DRAWING NO. KM\_INSTALLATION

SHEET 1 OF 2

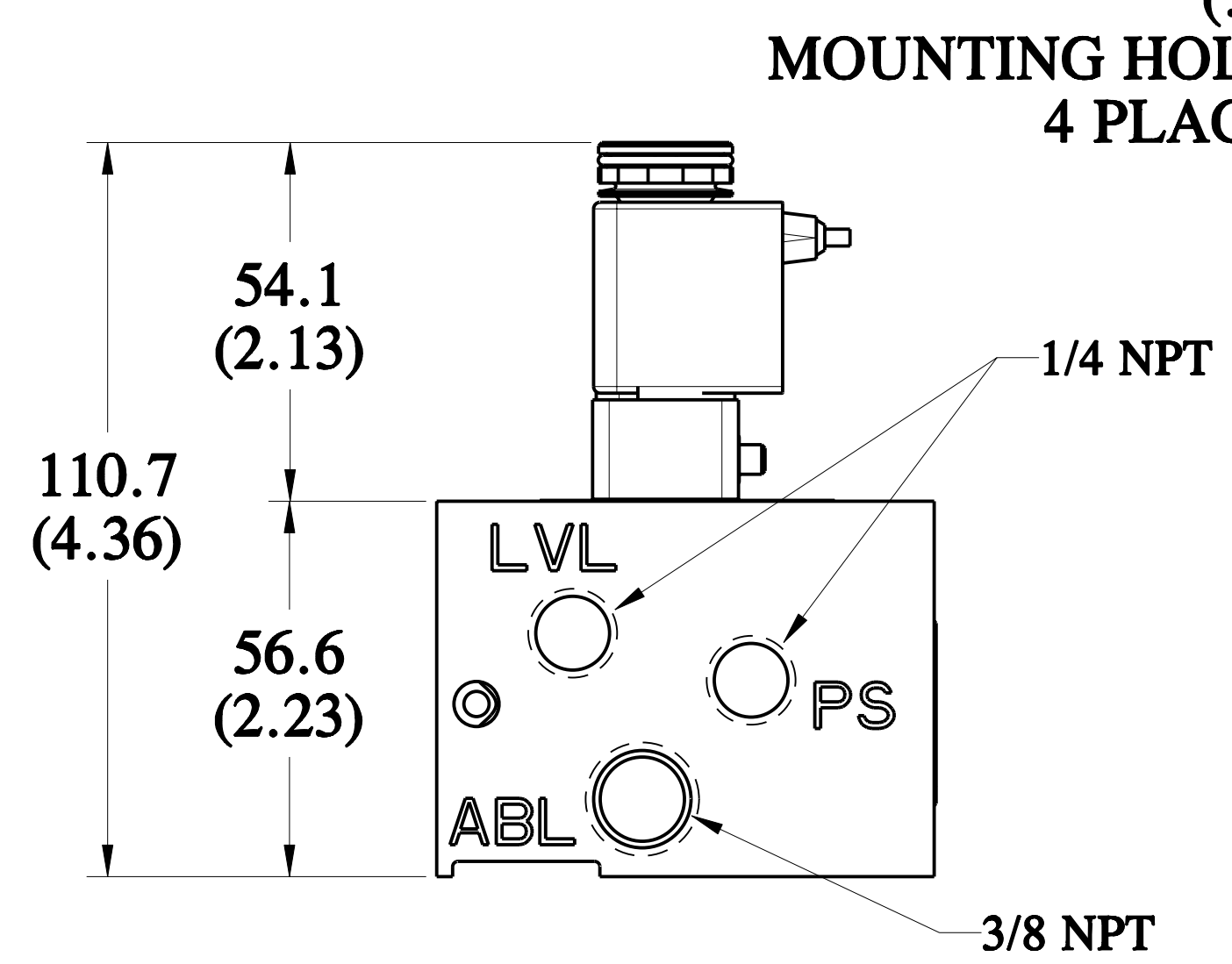
"D" SIZE

PRO/ENGINEER FILE

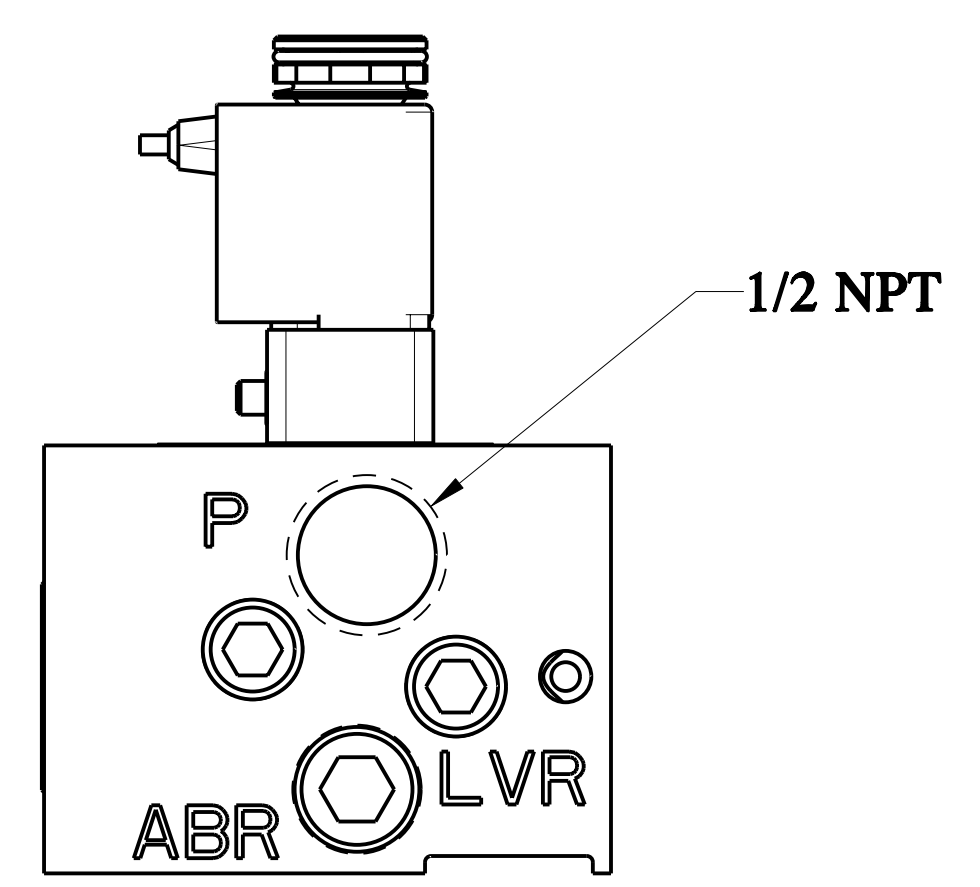
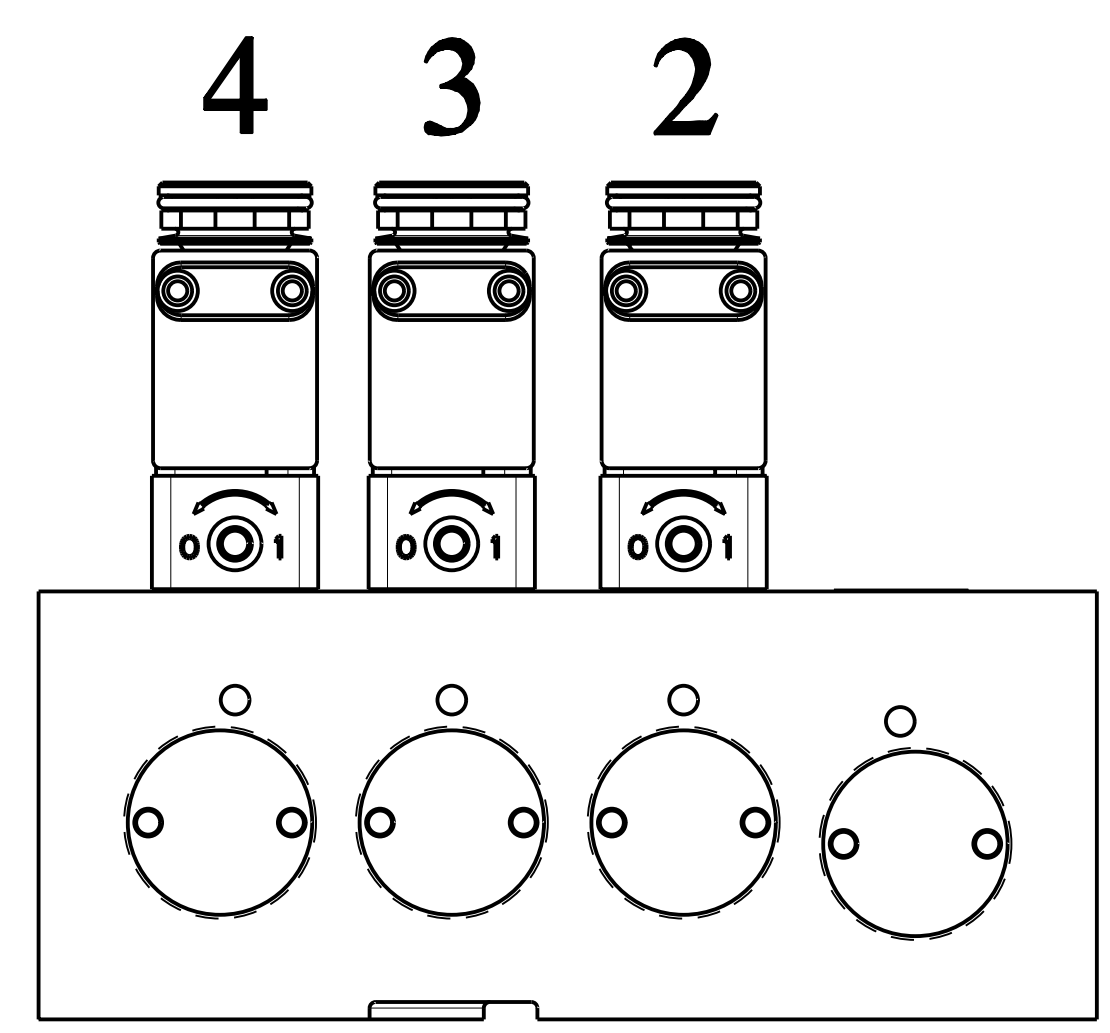
DRAWING NO.	KM_INSTALLATION	REV.	1	2	3	4	5	6	7	8	9	10	11	12	13	14	15	16	17	18	19	20	21	22	23	24	25	26	27	28	29	30	31	32	33	34	35	36	37	38	39			
REFERENCE		CHG. NO.																																										
		DATE																																										
		BY																																										
		CHK																																										



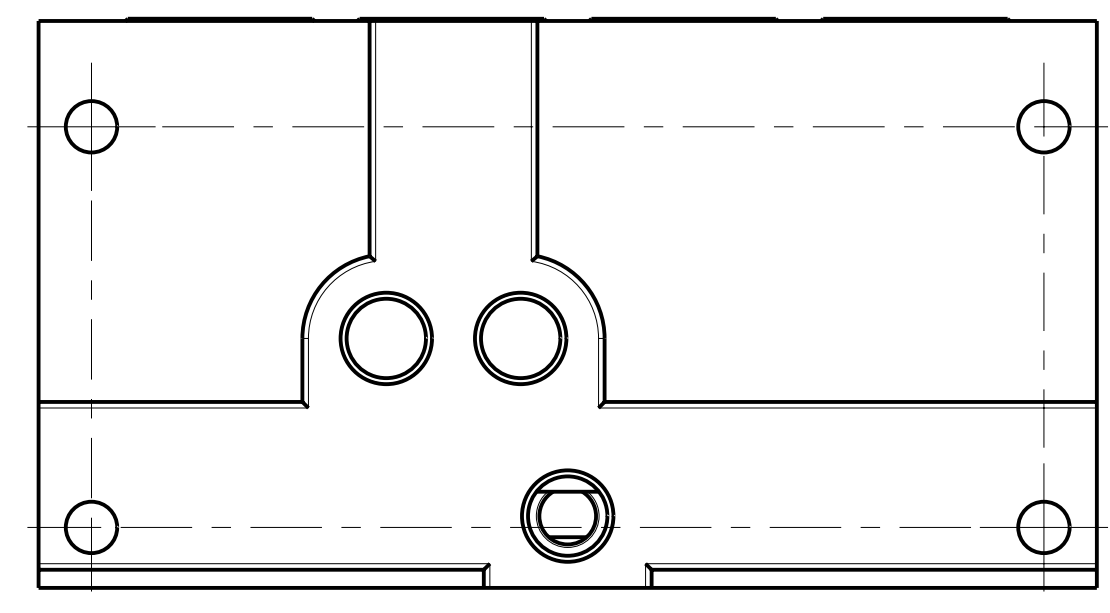
	LEFT SIDE			NORMAL RIDE HEIGHT
	KNEEL	KNEEL HOLD	RAISE	
2	OFF	OFF	ON	OFF
3	ON	OFF	OFF	OFF
4	ON	ON	ON	OFF



LEFT SIDE



RIGHT SIDE



# PARKER 3 STATION KNEELING MODULE INSTALLATION

DIMENSIONS IN MILLIMETERS

- UNLESS OTHERWISE SPECIFIED
- TOLERANCES: LINEAR DIMS.: 0.0 ± 0.2; 0.00 ± 0.10
- ANGULAR DIMS.: ± 2°
- CONCENTRICITY: 0.125 T.I.R.
- GD&T: ASME Y14.5M-1994
- ∅: ADD DRAFT TO DIM. SHOWN
- ○: SUBTRACT DRAFT FROM DIM. SHOWN
- MACHINED SURFACES: 3.2 MICRO M FINISH
- SCREW THREADS: UNIFIED: ANSI/ASME B1.1 (LATEST)
- METRIC: ANSI B1.13M (LATEST)
- INTERNAL THDS.: 6° SINK 90° MAJ. DIA.
- CORNERS AND FILLETS SHARP WITHIN 0.2
- RADIUS OR CHAMFER: TO BE FREE OF BURRS AND DECREASED.
- TO BE FREE OF BURRS AND DECREASED.
- ○ AROUND DIMENSION DENOTES CRITICAL DIMENSION PER US-1014.

THIS DOCUMENT CONTAINS INFORMATION THAT IS CONFIDENTIAL AND PROPRIETARY TO PARKER HANFORTH CORPORATION (PARKER). THIS DOCUMENT IS FURNISHED ON THE UNDERSTANDING THAT THE DOCUMENT AND THE INFORMATION IT CONTAINS WILL NOT BE COPIED OR DISCLOSED TO OTHERS OR USED FOR ANY PURPOSE OTHER THAN CONDUCTING BUSINESS WITH PARKER, AND WILL BE RETURNED AND ALL FURTHER USE DISCONTINUED UPON REQUEST BY PARKER. COPYRIGHT PARKER. YEAR OF COPYRIGHT IS FIRST YEAR INDICATED ON THIS DOCUMENT. ALL RIGHTS RESERVED.			
MATERIAL			
FINISH			
SCALE	DR. BY	CHK. BY	APPD. BY
1:1	YO		

DO NOT SCALE DRAWING	THIRD ANGLE PROJECTION	
<b>Parker</b>	PNEUMATIC DIV. RICHLAND, MICH., 49083	REV. 1.1
KNEELING MODULE INSTALLATION, 3 STATION		REFERENCE KNEELING MODULE
SHEET 2 OF 2		PART NO. N/A
"D" SIZE		DRAWING NO. KM_INSTALLATION