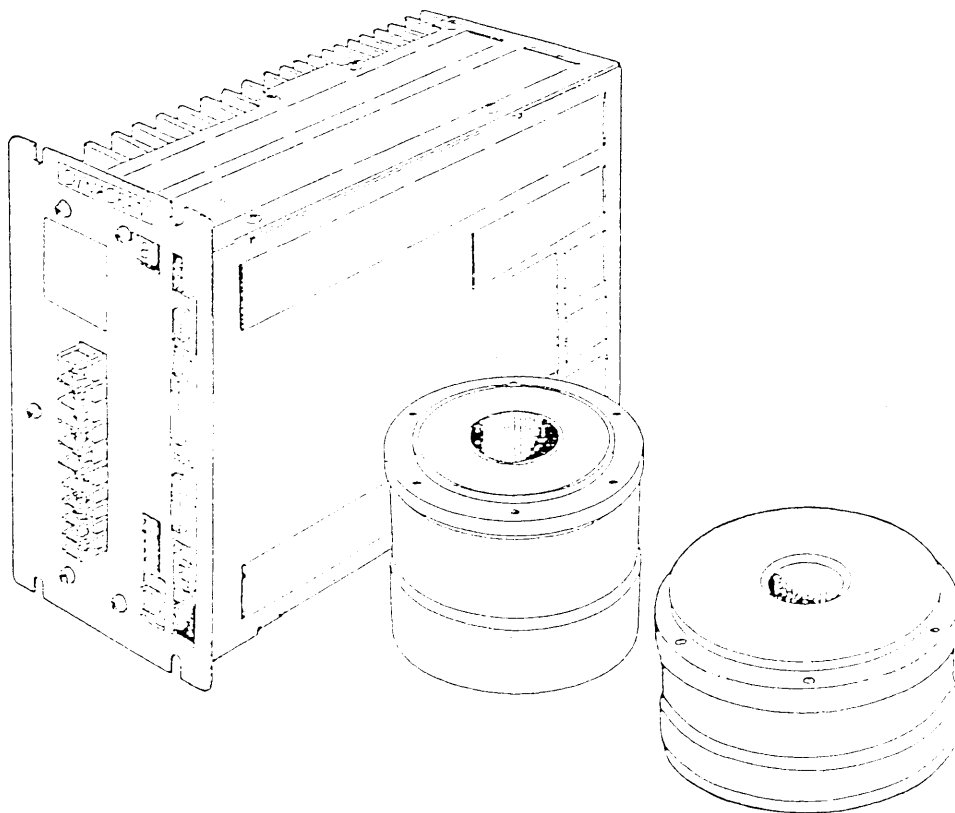

DYNASERV

DD Servo Actuator

M Type (Built-in Controller) Driver

(Programming Moves & Specific Features)



Introduction

Thank you for purchasing the Direct Drive servo actuator M type driver series.

High torque output and high accuracy are the chief characteristics of the DYNASERV which is an external rotor type of servo actuator. The Dynaserv is used widely in the Semiconductor industry but it also finds numerous applications in the various Factory Automation areas and more.

IMPORTANT: KINDLY READ THE FOLLOWING CAREFULLY BEFORE COMMENCING OPERATIONS.

Cautionary notes concerning this Instruction Manual

This manual contains the instructions for the proper installation, operation and usage for the Direct Drive servo actuator M-type driver series. You must read the following carefully and comply with the same before proceeding with the installation and the subsequent operation of the equipment.

1. This manual must be handed over to the final user of the equipment.
2. Read the instructions listed in this manual very carefully and after understanding them proceed with the operations.
3. Operating the equipment without following the guidelines listed here may lead to irreparable damage to the equipment. It is not possible to guarantee the safety of operations if the instructions are not adhered to.
4. It is recommended that the user store this manual carefully in an easily accessible location for quick reference.
5. This instruction manual serves as a guide to proper operation of the equipment. It is not to be taken as a guarantee.
6. Copying the whole of this manual or even a part of it by any means is strictly prohibited.
7. The manufacturer reserves the right to change the contents of this manual at it's discretion.
8. While all efforts have been made to ensure accuracy in the contents of this manual, it is possible that errors may have crept in inadvertently. If you find any such discrepancies in the contents, kindly send your comments or suggestions to the manufacturer or it's authorized distributor.

About using this manual:

In order to simplify the reading of this manual, the various features and explanations have been appropriately split into two different parts:

1. Instruction Manual -1 (Installation & Operations Manual)

In this part, the various detailed instructions for handling, installation and connections are explained. The contents index feature the various sub-indices for more details. If this proves insufficient, refer to the section 3.1 Operations Procedure Flow chart, which is a systematic representation of various operating steps.

2. Instruction Manual -2 (Programming Moves & Specific Features)

The part 2 of the instruction manual lists the various programming methods and commands to enable the actuation. The features of each type of motion, the various control settings and the methods of operation are all listed here. For the convenience of our customers, at the end of each subsection explaining a specific feature, simple examples of the programming commands are also detailed, which can be used to actually command motion from the actuation system.

(E). YPC agrees to make available to you reasonable information that YPC had which is necessary to achieve interoperability of the Program with other operating systems and / or platforms and that no exception to these terms and conditions shall apply for the purpose of the development of interoperable software.

(F). you acknowledge that the Program is subject to restrictions and controls imposed by the government of Japan and the regulations thereunder. You agree and certify that the Program licensed hereunder will not be acquired, shipped or transferred or reexamined, directly or indirectly, into any country prohibited by the Government of Japan and the regulations thereunder or will not be used for any purpose prohibited by the same.

(G). the Program is provided with RESTRICTED RIGHTS. Use, duplication, or disclosure by the Government of Japan is subject to the restrictions as specified by the Government of Japan as applicable.

YOU MAY NOT USE, COPY, MODIFY, SUBLICENSE, ASSIGN OR TRANSFER THIS LICENSE, ANY RIGHTS, DUTIES OR OBLIGATIONS HEREUNDER, THE PROGRAM, IN WHOLE OR IN PART, EXCEPT AS EXPRESSLY PROVIDED FOR IN THIS LICENSE, AND, IF YOU ATTEMPT TO DO SO OTHERWISE, YOUR LICENSE IS AUTOMATICALLY TERMINATED.

TERM

The license is effective until terminated. You may terminate it any time by destroying the Program together with all copies. It will also terminate upon conditions set forth elsewhere in this Agreement, or if you fail to comply with any term or condition of this Agreement. You agree upon such termination to destroy the Program together with all copies.

LIMITED WARRANTY

THE PROGRAM IS PROVIDED "AS IS" WITHOUT WARRANTY OF ANY KIND, EITHER EXPRESSED OR IMPLIED, INCLUDING, BUT NOT LIMITED TO, THE IMPLIED WARRANTIES OF MERCHANTABILITY AND FITNESS FOR A PARTICULAR PURPOSE. THE ENTIRE RISK AS TO THE QUALITY AND PERFORMANCE OF THE PROGRAM IS WITH YOU. SHOULD THE PROGRAM PROVE DEFECTIVE, YOU (AND NOT YPC, ITS AUTHORIZED DEALERS OR DISTRIBUTORS) ASSUME THE ENTIRE COST OF ALL NECESSARY SERVICING, REPAIR OR CORRECTION/.

SOME JURISDICTIONS DOES NOT ALLOW THE EXCLUSION OF IMPLIED WARRANTIES, SO THE ABOVE EXCLUSION MAY NOT APPLY TO YOU. THIS WARRANTY GIVES YOU SPECIFIC LEGAL RIGHTS AND YOU MAY ALSO HAVE OTHER RIGHTS WHICH VARY FROM JURISDICTION TO JURISDICTION.

LIMITATIONS OF REMEDIES

YPC's entire liability and your exclusive remedy shall be:

1. the replacement of any diskette not meeting YPC's "Limited Warranty" and which is returned to YPC or an authorized dealer with a copy of your receipt; or
2. if YPC or the dealer is unable to deliver a replacement diskette or cassette which is free of defects in materials or workmanship, you may terminate this Agreement by returning the Program and your money will be refunded.

IN NO EVENT WILL YPC OR ITS SUPPLIERS BE LIABLE TO YOU FOR ANY DAMAGES, INCLUDING ANY LOST PROFITS, LOST SAVINGS OR OTHER INCIDENTAL DAMAGES ARISING OUT OF THE USE OR INABILITY TO USE SUCH PROGRAM, EVEN IF INSIGNIA, ITS SUPPLIERS OR ANY AUTHORIZED INSIGNIA DEALER OR DISTRIBUTOR HAS BEEN ADVISED OF THE POSSIBILITY OF SUCH DAMAGES, OR FOR ANY CLAIM BY ANY OTHER PARTY.

SOME JURISDICTIONS DO NOT ALLOW FOR THE LIMITATION OR EXCLUSION OF LIABILITY FOR INCIDENTAL OR CONSEQUENTIAL DAMAGES, SO THE ABOVE LIMITATION MAY NOT APPLY TO YOU.

GENERAL

This Agreement is governed by the laws of the Government of Japan. Should you have any questions concerning this Agreement, you may contact YPC by writing to Yokogawa Precision Corporation, MD Sales Head Office, Musashino Center Bldg. (6F), 1-19-18, Nakacho, Musashino-shi, Tokyo 180-0006, JAPAN

YOU ACKNOWLEDGE THAT YOU HAVE READ THIS AGREEMENT, UNDERSTAND IT, AND AGREE TO BE BOUND BY ITS TERMS AND CONDITIONS. YOU FURTHER AGREE THAT IT IS THE COMPLETE AND EXCLUSIVE STATEMENT OF THE AGREEMENT BETWEEN YOU AND YPC AND THAT IT SUPERSEDES ANY PROPOSAL OR PRIOR AGREEMENT, ORAL OR WRITTEN, AND ANY OTHER COMMUNICATIONS BETWEEN YOU AND YPC RELATING TO THE SUBJECT MATTER OF THIS AGREEMENT.

CONTENTS

For The Safe Use Of Product	1
Introduction.....	2
Warning On Installation And Operation.....	3 - 4
1. Product Outline	5
1.1 Product Description	5
1.2 Standard Product configuration	5
1.3 Model Specification Codes	6
2. Functional Description.....	6
2.1 Motor Section	7
2.2 Driver Section	8
3. Preperation For Operation.....	9
3.1 Operations Flow Sequence	9
3.2 Installation Of Motor And Driver.....	10
3.2.1 Motor Mounting.....	10
3.2.2 Driver Mounting.....	11
3.3 Wiring Cables	12
3.3.1 Cable Specifications	12
3.3.2 External Connection Layout	13
3.3.3 Motor - Driver Connection Layout	13
3.3.4 PLC- Driver Connection Layout	14
3.3.5 Sensor And Driver connection Layout	15
3.3.6 Communication Specifications	16
3.3.7 Multi-channel Communications	17
3.4 The Front Panel	18
3.4.1 The Main Features Of The Front Panel	18 - 19
3.4.2 RS232C And PLC Operations Change-over	20
3.4.3 DI Emulation Mode	20
3.4.4 Variable Definition Analog Monitor	20
3.5 SERVO ON Operation.....	21
3.6 Adjustments	21
3.6.1 Adjustment Procedure	21
3.6.2 Auto-tuning	21
3.6.3 Manual Tuning	21

Refer to the Instruction Manual -1 (Installation & Operations Manual)
for the above mentioned contents.

CONTENTS

Introduction	S1
For The Safe Usage Of This Product	S2
Copyright & Acknowledgments	S3
SOFTWARE USER LICENSE AGREEMENT	S3- S4
Contents of Instruction Manual -1 (Installation & Operations Manual)	S5

4. Operating Features	1
4.1 General Operating Features And Functions.....	1
4.1.1 SERVO ON.....	1
4.1.2 Emergency Stop.....	1
4.1.3 Brake Signal	1
4.1.4 M-Function Interface	1
4.1.5 Selection Of The Axis Instruction Set	1
4.2 Operation Mode	2
4.2.1 Starting And Ending The Operation Mode Using A PLC	3
4.3 Operation Manual	4
4.3.1 Selection Of Operation Modes.....	4
4.3.2 Point Selection In The Index mode.....	5
4.3.3 Points Dealing With Move Distance /Direct Input	5
4.4 Operation Modes Explained	6
4.4.1 Test Mode	6
4.4.2 Auto-tuning Mode	7
4.4.3 Homing Mode	8 - 10
4.4.4 Program Operation Mode	10 - 22
4.4.5 Signal Search Mode	22 - 23
4.4.6 MDI Mode	23
4.4.7 Index Move Mode	23 - 24
4.4.8 Points Move Mode	25 - 26
4.4.9 Direct Input Value Move Mode	26 - 28
4.4.10 Jog Move	28
4.4.11 Mechanical Settings Mode	29
4.5 Miscellaneous Functions	29
4.5.1 Index Compensation	29 - 30
4.5.2 Velocity Override	30
4.5.3 Interlock Paused	31
4.5.4 Cam Positioner Signal	31
4.5.5 Cam Profiles	32
4.5.6 Direct Coordinate Moves	33

CONTENTS

5. Commands And Parameters (Settings & Confirmation)	34
5.1 Outline	34
5.2 Usage Of @ Commands	34
5.3 @ Commands Listing	34
5.4 Settings And Confirmation Of Parameters (# Command)	35
5.5 Parameter Details	36 - 52
5.6 Monitor Parameter Details	53 - 55
6. The M - Drive Utility	56
6.1 Installing The M - Drive Utility Software	56
6.2 How To Use The M - Drive Utility Software	57
6.3 How To Use The Terminal Mode	58
6.3.1 Sending & Receiving Commands	59
6.3.2 Monitoring The Driver Status	59
● Parameter Monitor	59
● I/Or Monitor	60
● Axis Signal Status	60
● Error Alarm Monitor	61
● Help List	61
6.4 Program Monitor	62
6.4.1 Uploading Programs	62
6.4.2 Downloading Programs	63
6.4.3 Reset Communications	63
6.4.4 Editing Programs	63
● Editing Previously Stored Or Registered Programs	64
● Registration Of Programs Into The Driver.....	64
● Saving Programs In A File	64
● Deleting Programs From The Driver.....	64
● Listing Programs Registered In The Driver.....	64
● Printing The Programs	64
● Communications Reset	64
6.4.5 Program Monitor	65
● Optional Settings	65
● Run Program	66
● Stop Program	66
● Communications Reset	66
● Receiving & Sending Alphabetical Characters (Commands)	66
● M Answer	66
● Processing Error/ Alarm Warnings	66


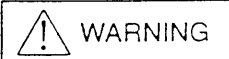
CONTENTS

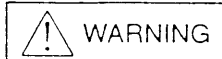
6.5 Parameter Menu	67
6.5.1 Uploading The Parameters	67
6.5.2 Downloading The Parameters	67
6.5.3 Display The Contents Of The Parameter File	67
6.5.4 Communications Reset	67
6.6 The Cam Profile Menu	68
6.6.1 Creating An Universal Cam Profile	68
● New Universal Cam Creation	68
● Saving The “Universal Cam Profile” In A File	69
● Close The “Universal Cam Profile” Dialog Box After Saving The Data In A File	69
● Editing The Universal Cam Profile File	69
6.6.2 Uploading The Cam Profiles	70
● Standard Uploads	70
● Multiple Uploads	70
6.6.3 Downloading The Cam Profiles	70
● Standard Downloads	70
● Multiple Downloads	70
6.6.4 Viewing The Cam Profiles	71
● Viewing The Cam Profiles Registered In The Driver	71
● Viewing The Cam Profiles Stored In Cam Profile Data Files On The Computer	71
6.6.5 Communications Reset	71
6.7 Points Settings	72
6.7.1 Point Data Inputs	72
6.7.2 Data Uploads & Downloads	72
6.8 Indexing Compensation.....	73
6.8.1 Uploading The Compensation Table	73
● Standard Uploads	73
● Multiple Uploads	73
6.8.2 Downloading The Compensation Table	74
● Standard Downloads	74
● Multiple Downloads	74
6.8.3 Editing The Compensation Table	74
● Compensation Data Input	74
● Modifying The Index Table Point Values	75
● Editing The Existing Index Table Point Values	75
● Driver Table	75
● Index Compensation File	75
● Registration Of The Table In he Drive	75
● Saving The Table Values In A File	75
6.8.4 Communications Reset	75

CONTENTS

6.9 I/O Settings	75
6.9.1 Changing The Operation Logic Settings	76
6.10 Servo Settings	76
6.10.1 Execute Auto-tuning	77
6.10.2 Execute The Test Mode Run	77
6.10.3 Filter Settings	77
6.10.4 Display Motor Response Curves	78
7. Operation Display Pendant	79
7.1 Outline	79
7.2 Feature & Part Descriptions	79
7.3 Connections	79
7.4 Switching Displays	80
7.5 Menu Displays	81
7.5.1 Terminal Mode Display	81
7.5.2 Parameter Monitor Display	81
7.5.3 Parameter Settings Display	82
7.5.4 D I/O Monitor Display	82
7.5.5 Special Error Display	83 - 84
8. Maintenance And Inspection	85
8.1 Motor Section	85
8.2 Driver Section	85
8.3 Replacing The Battery For Memory Backups	85
9. Trouble Shooting And Measures	86
9.1 Motor Problems And Measures	86 - 87
9.2 LED Display List	88
9.2.1 Controller Error	89
9.3 Procedure For Error Correction	90 - 92
9.4 Error / Alarm Listing	93
10. Reference	100
10.1 Standard Specifications	100 - 102
10.2 Torque - Speed Characteristics	103 - 104
10.3 External Dimensions	104 - 106
10.4 Parameter Listing	107 - 110
10.5 Monitor Parameter Listing	110

For The Safe Usage Of This Product

- For the safe use of this product, the symbol  and  are used on the product concerned and in this manual. Either symbol on the product indicates that the operator must refer to the warnings and instructions in the manual to avoid injury or loss of life. Be sure to follow the warnings. Handling the product in a manner contradictory to the warnings may result in injury or loss of life.
- Completely understand the following instructions before reading the manual.
- This sheet and the manual must be kept of hand while the product is being used and must be passed on to those personnel using the products.



KEEP AWAY FROM ROTATING PARTS!

- The motor rotor rotates at high speed. When coupling a load with it, do NOT allow personnel or objects to come within the sphere of its rotation.

ELECTRICAL SHOCK WARNING!

- To avoid electrical shock, ensure that you ground the product.
- Before connecting cables and wires to the driver, make sure that you turn the power off and unplug the power cord.
- When detaching the driver cord for maintenance or the like, make sure that you turn the power off and unplug the power cord.

FIRE AND ELECTRICAL SHOCK WARNING!

- If you notice any abnormal sound, strange odor or smoke emanating from the product, immediately turn off the power and unplug the power cord. Then contact the nearest service representative.
- If you drop the product or it receives a mechanical shock, immediately stop using it and turn off the power. Then contact the nearest service representative.
- Do not use the power supply with a voltage exceeding the range specified for the product.
- Be careful not to let any foreign material such as metal particles, flammable liquids, or moisture enter into the openings on the product (e.g., the gaps around the rotating parts or the vents of the driver). Should this happen, immediately turn off the power and then contact the nearest sales representative.
- Do not bend, twist, squeeze, or pull the cables from the motor with excessive force or subject them to heat or heavy weights.
- Users are strictly prohibited from making any modifications or repair to the product.

IMPORTANT : READ THE FOLLOWING

Copyright & Acknowledgments

The M drive Utility software for Windows'95 and its documentation are copyright materials. The DYNASERV is a trademark of Yokogawa Precision Corporation, Japan. Yokogawa Precision Corporation (YPC) specifically retains title to all YPC's computer software. The Program described in this guide is furnished under a license agreement and may only be installed, used, or copied in accordance with the terms of that agreement. Making unauthorized copies is strictly prohibited. No part of this Program or its accompanying documentation may be reproduced, transmitted, transcribed, stored in a retrieval system, or translated into any language, in any form or by any means without the prior written permission of Yokogawa Precision Corporation.

MS-DOS and Microsoft, are the registered trademarks of Microsoft Corp. Windows '95 and Visual C++ are the trademarks of Microsoft Corp. IBM is a registered trademark of International Business Machines Corp. IBM PC, IBM PC/AT are the trademarks of International Business Machines.

All other product names are the trademarks or registered trademarks of their respective owners.

YOKOGAWA PRECISION CORPORATION'S SINGLE SOFTWARE USER LICENSE AGREEMENT

BEFORE OPENING THIS SOFTWARE PROGRAM PACKAGE ["PROGRAM"], YOU SHOULD CAREFULLY READ THE FOLLOWING TERMS AND CONDITIONS. BY OPENING THIS PACKAGE YOU AGREE TO BECOME BOUND BY THE TERMS AND CONDITIONS OF THIS AGREEMENT, WHICH INCLUDES THE SOFTWARE LICENSE AND LIMITED WARRANTY. IF YOU DO NOT AGREE WITH THESE TERMS AND CONDITIONS, YOU SHOULD PROMPTLY RETURN THIS PACKAGE UNOPENED AND YOUR MONEY WILL BE REFUNDED.

Yokogawa Precision Corporation [hereinafter referred to as "YPC"] provides the Program and licenses its use. You assume responsibility for the installation, use and results obtained from the Program.

LICENSE

You may:

(A). use the Program on a single computer (i.e. with a single CPU) or on a LICENSED COMPUTER NETWORK, or, if you have notified YPC and are invoiced for the use of the Program on more than one single computer, you may use the Program on the number of single CPU computers indicated on your invoice. A Computer Network is any combination of two or more terminals that are electronically linked and capable of sharing the use of a single software program. A LICENSED COMPUTER NETWORK is a computer network for which the LICENSEE has purchased and dedicated at least one (1) instruction manual for the single -user version of the program for each terminal on the network. If you have notified YPC and are invoiced for the use of the Program on a LICENSED COMPUTER NETWORK by more than one user, each user may use the Program on the LICENSED COMPUTER NETWORK. You will distribute a copy of this Agreement to each licensed user and each licensed user agrees to be bound by this Agreement.

(B). make one copy of the Program in machine readable or printed form only for backup purposes regardless of the number of users permitted as indicated in paragraph (A) of this Agreement, provided that you reproduce all copyright and other proprietary notices that are on the original copy of the Program provided to you. Any portion of the program merged into another program will continue to be subject to the terms and conditions of this Agreement.

(C). transfer the Program and license to another party if the other party agrees to accept the terms and conditions of this Agreement, provided that you reproduce all copyright and other proprietary notices that are on the original copy of the Program provided to you. Any portion of the Program merged into another program will continue to be subject to the terms and conditions of this Agreement. If you transfer the Program, you must at the same time either transfer to the same party all copies, whether in printed or machine readable form or destroy any copies not transferred.

(D). physically transfer the Program [a] from one terminal to another within a LICENSED COMPUTER NETWORK as long as the number of users on the LICENSED COMPUTER NETWORK does not exceed the number so licensed pursuant to paragraph (A) of this Agreement or [b] from one single computer to another provided that the Program is used on only the number of single CPU computers permitted pursuant to paragraph (A) of this Agreement. You may not electronically transfer the Program from one computer to another except over a LICENSED COMPUTER NETWORK. You may not distribute copies of this Program or accompanying documentary materials to others. You may not translate, reverse engineer, decompile, disassemble, or create derivative works based on the Program. You may not translate or create derivative works based on the written materials without prior consent of YPC.

Continued on the following page—