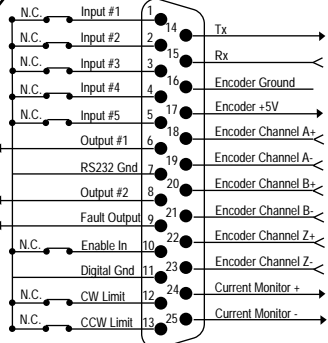
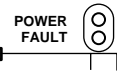
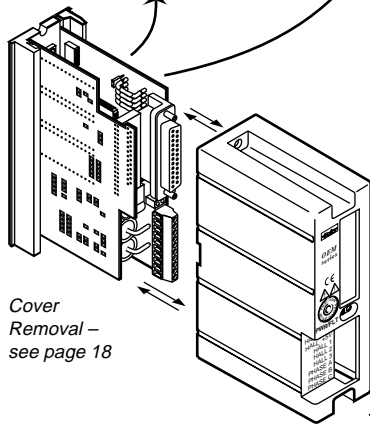


Block Diagram – see page 11

Inputs & Outputs – see page 33



LEDs & Faults – page 138



Power Supply Connections – see page 41

Motor Connections – see page 30

Motor Color Code – see page 30, 63

Motor Specifications – see page 52

Encoders – see page 62

