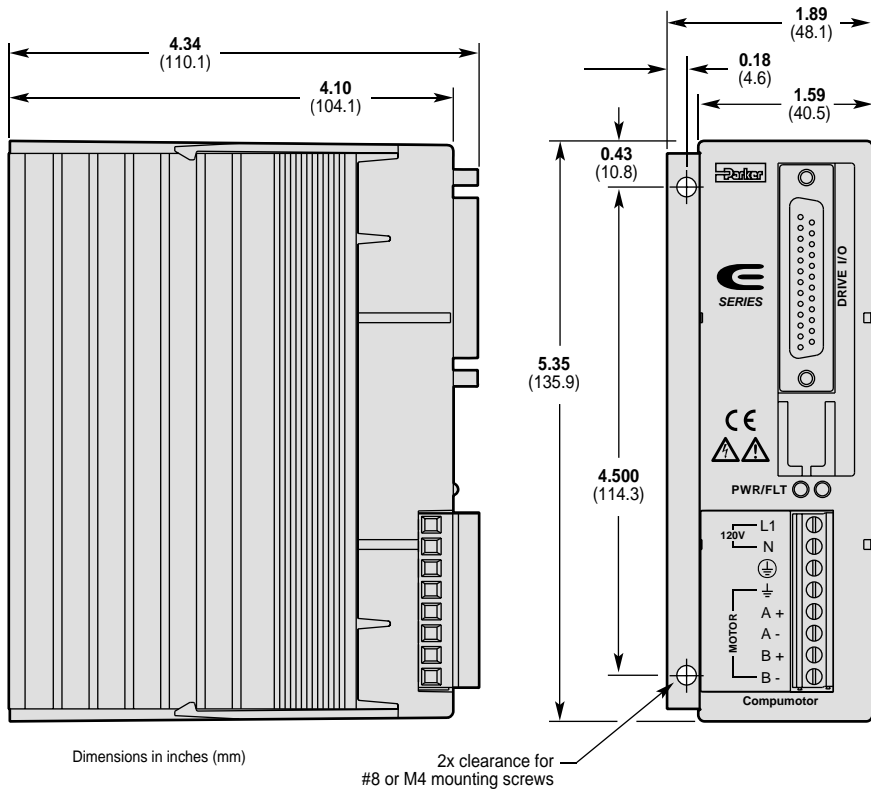


Dimensions



Protective Circuits

Short Circuit Protection:

- phase-to-phase motor short
- phase-to-ground motor short

Inrush Current Protection

Drive Overtemperature Protection

- trips at 75°C (157°F) internally

Undervoltage Protection

Motor Performance Specifications

- Repeatability: +/- 5 arc seconds typical;
unloaded motor, bi-directional motion
- Hysteresis: less than 2 arc minutes;
unloaded motor, bi-directional motion
- Motor Velocity: 50 rps maximum, regardless of resolution

Environmental Specifications

- Operating Temperature: 0°C – 50°C (32°F – 122°F)
Storage Temperature: -40°C – 80°C (-40°F – 176°F)
Humidity: 0 – 95%, non-condensing
Drive Weight: 1.2 pounds (0.6 kg)

Input/Output Specifications

INPUTS All inputs are optically isolated

STEP:

minimum pulse width:	200 nanoseconds
maximum input frequency:	2MHz
minimum turn on current:	6.5mA
maximum supply current:	15mA

DIRECTION:

minimum setup time:	200 microseconds
minimum turn on current:	6.5mA
maximum supply current:	15mA

RESET:

drive is in reset while input is active (high)	
minimum turn on current:	2.5mA
maximum supply current:	30mA

SHUTDOWN:

drive is in shutdown while input is active (high)	
minimum turn on current:	2.5mA
maximum supply current:	30mA

FAULT OUTPUT

Optically isolated; open collector/emitter output.
Normally active (output turns off on a fault condition).
To clear fault: cycle power or reset drive.

maximum collector current:	40mA
maximum power dissipation:	40mW

E
SERIES

E-AC Drive



Hardware Installation Guide
available at: www.compumotor.com

Quick Reference Guide

E-AC DRIVE Hardware Installation Guide

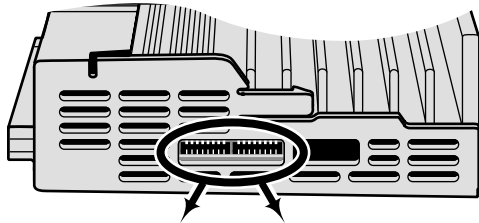
is available online in PDF format:
<http://www.compumotor.com>
(part number 88-020292-01)



Compumotor Division
Parker Hannifin Corporation
p/n 88-020290-01 B (effective April 9, 2002)



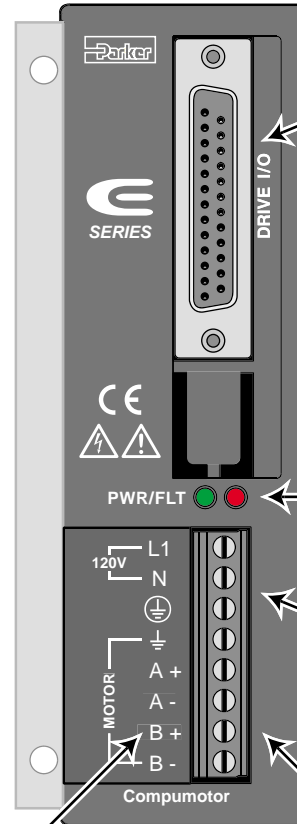
DIP Switch Settings



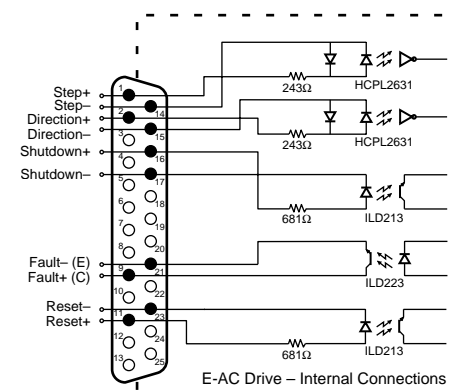
Default Position:
Drive ships from factory with all DIP switches in the OFF position.



E-AC Drive

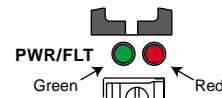


25 Pin DRIVE/O Connector



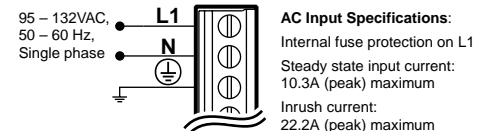
Input/Output Specifications – see back cover

LEDs



LED Color:
Green Red
Indicated State:
Off Off No AC power applied
On Off AC power applied
On On Fault Condition:
• drive overtemperature; or
• short circuit detected

AC Input Connections



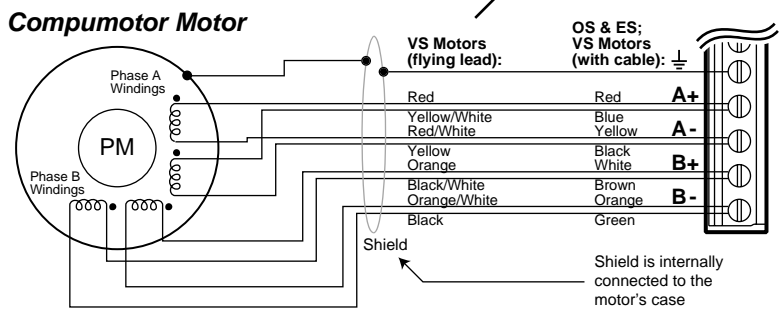
Auto Test		Resolution		Waveform		Auto Standby		Gain		Anti-Resonance	
1	Disabled off	2	25,000 off	6	Pure sine off	8	Full Current off	1	off	1	off
	Enabled on	3	50,800 on	7	-4% 3 rd harmonic off		50% Current Reduction on	2	on	2	on
1 rps for 2 revs in each direction until disabled											
200 & 400 not affected by waveform settings											
Select a setting based on motor inductance (in mH).											

Remove power before changing DIP switches

Hardware Installation Guide

E-AC DRIVE Hardware Installation Guide is available online in PDF format:
<http://www.compumotor.com>
(part number 88-020292-01)

Motor Output Connections – Parallel



Motor Output Connections – Series

Compumotor Motor

