

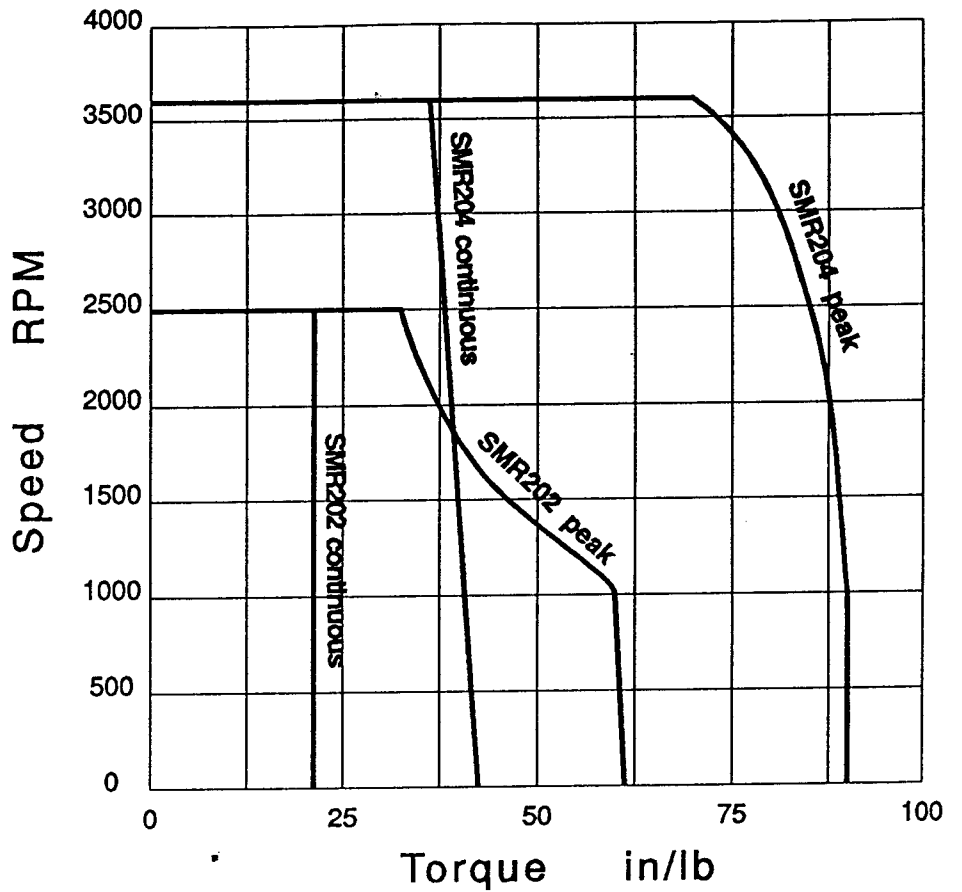
BRUSHLESS A.C. SERVOMOTORS



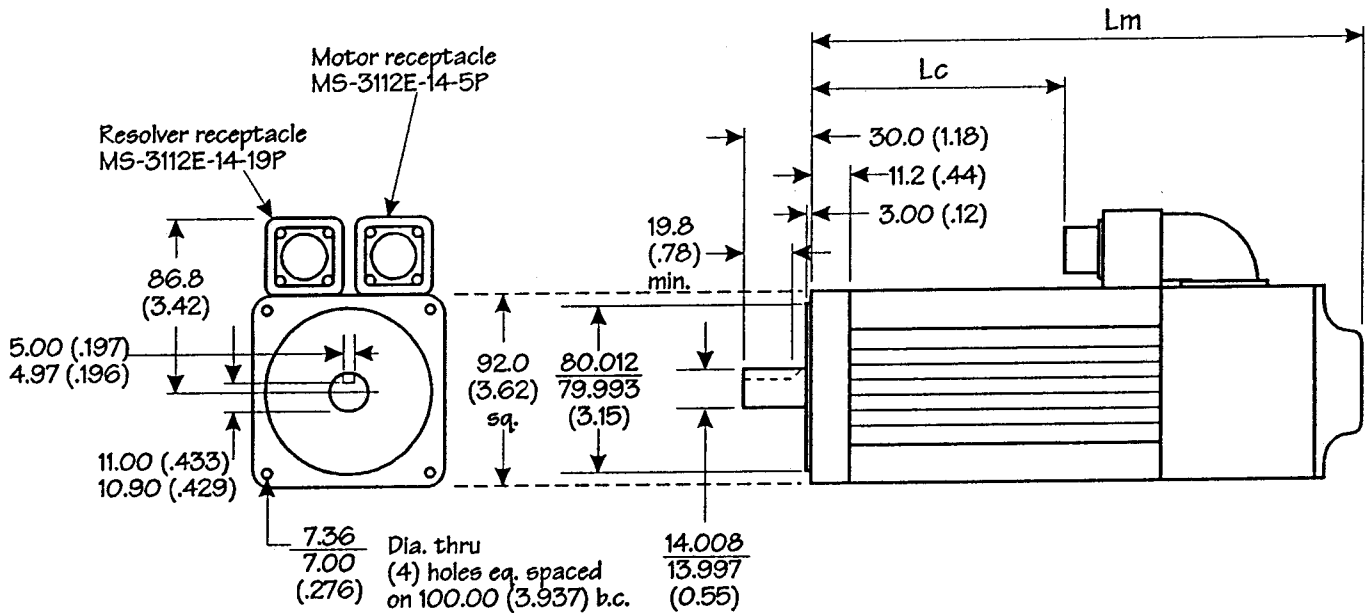
Parameter	Symbol	Units	SMR 104	SMR 202	SMR 204	SMR 402	SMR 404	SMR 602	SMR 604
Continuous Torque (stall)	T _C	in/lb	13	22	43	58	112	150	278
Continuous Line Current	I _C	amps RMS	3.0	1.9	5.8	5.9	9.4	9.8	19.0
Maximum Speed	N _{max}	RPM	6100	2500	3600	3000	2500	2000	2150
Peak Torque	T _p	in/lb	X	62	90	118	238	306	560
Peak Line Current	I _p	amps RMS	9.0	6.1	17.4	18.8	27.9	30.5	57.4
Theoretical Acceleration	α _m	rad/sec ²	X	70750	81020	61344	56710	48681	42467
Horsepower	Hp rtd	Hp	X	0.8	2.30	2.4	4.2	4.8	8.0
Speed	N rtd	RPM	6100	2500	3600	3000	2500	2000	2150
Torque	T rtd	in/lb	X	19.3	40.9	50.4	106	150	234
Volts (Line to Line)	V rtd	Volts RMS	230	230	230	230	230	230	230
Torque Sensitivity	K _T	in/lb/amp RMS	4.67	11.64	7.5	9.84	11.88	15.29	14.02
Back EMF (Line to Line)	K _B	V/KRPM	X	79.5	51.2	67.2	81.2	104.5	95.78
Max. Line to Line Volts	V _{max}	Volts RMS	250	250	250	250	250	250	250
DC Res. @ 25°C (Line to Line)	R _M	Ohms	X	17.7	2.48	2.60	1.32	1.548	0.508
Inductance (Line to Line)	L _M	mh	X	185	38.0	50	33.5	32	13.3
Time Constant Mech	T _M	msec	X	1.53	0.896	1.02	0.688	0.80	0.62
@ 25°C Elec	T _E	msec	X	10.45	15.32	19.2	25.4	20.7	26.2
Rotor Inertia	J _M	in/lb/sec ²	.000451	.000882	.00153	.002856	.005544	.009096	.01800
Weight	Wt	lb	X	10.02	13.40	23.0	29.0	45.0	57.0
Static Friction	T _F	in/lb	X	0.06	0.06	1.08	1.56	3.804	4.08

SMR20X Series Motors

Performance Curves
and
Dimensions



	L _m	L _c
SMR202	236.2 (9.30)	115.8 (4.56)
SMR204	275.8 (10.86)	155.4 (6.12)

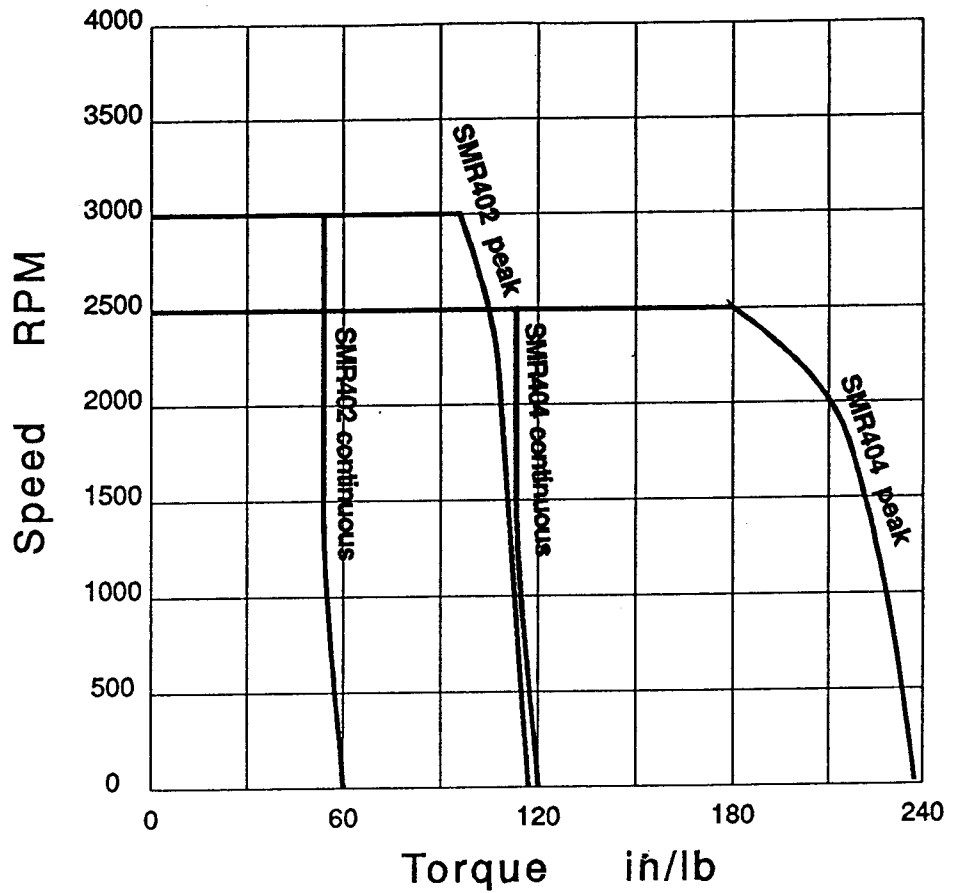


Notes:

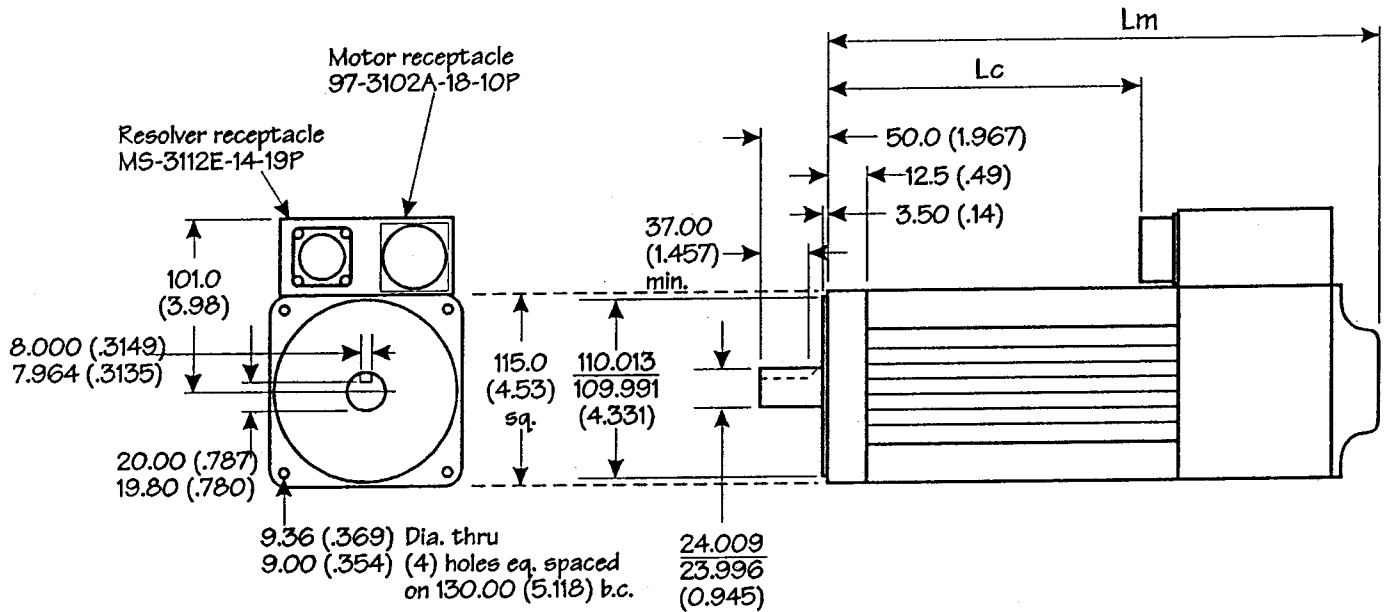
1. All dimensions are in millimeters with the inch equivalents in parentheses.
2. Motor can be mounted in any position.
3. Pressure on shaft seal must not exceed 3 PSI.

SMR40X Series Motors

Performance Curves
and
Dimensions



	Lm	Lc
SMR402	265.5 (10.45)	157.6 (6.20)
SMR404	318.8 (12.55)	210.9 (8.30)

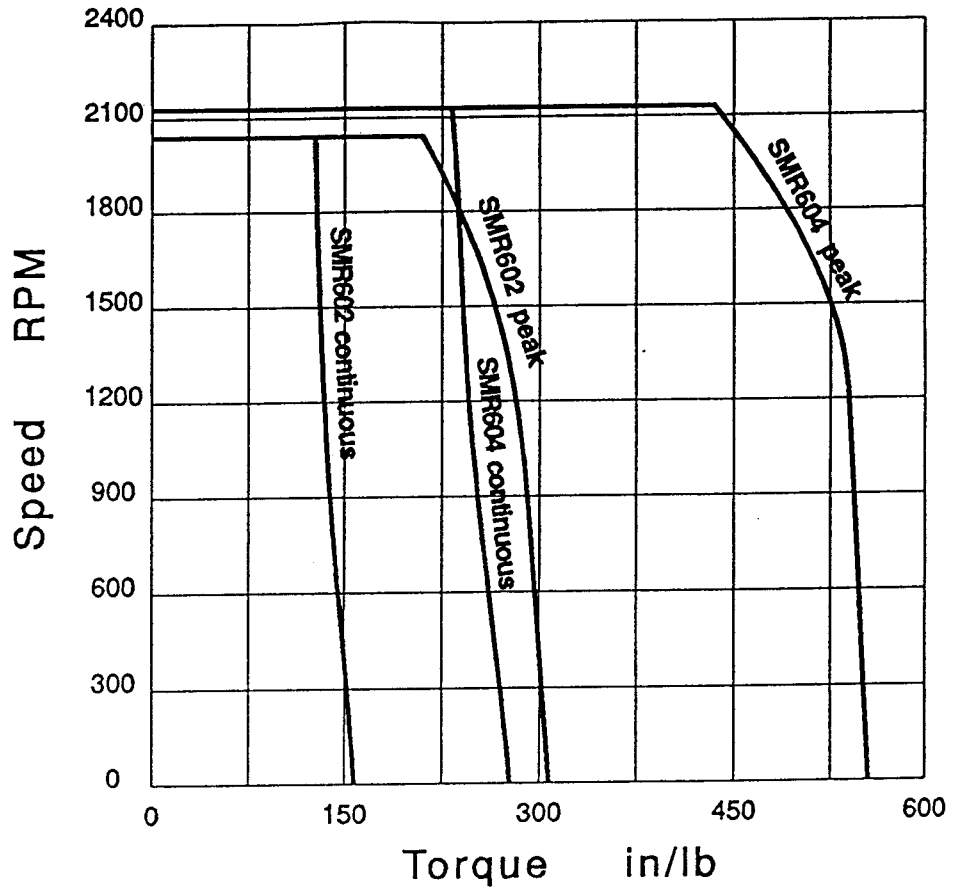


Notes:

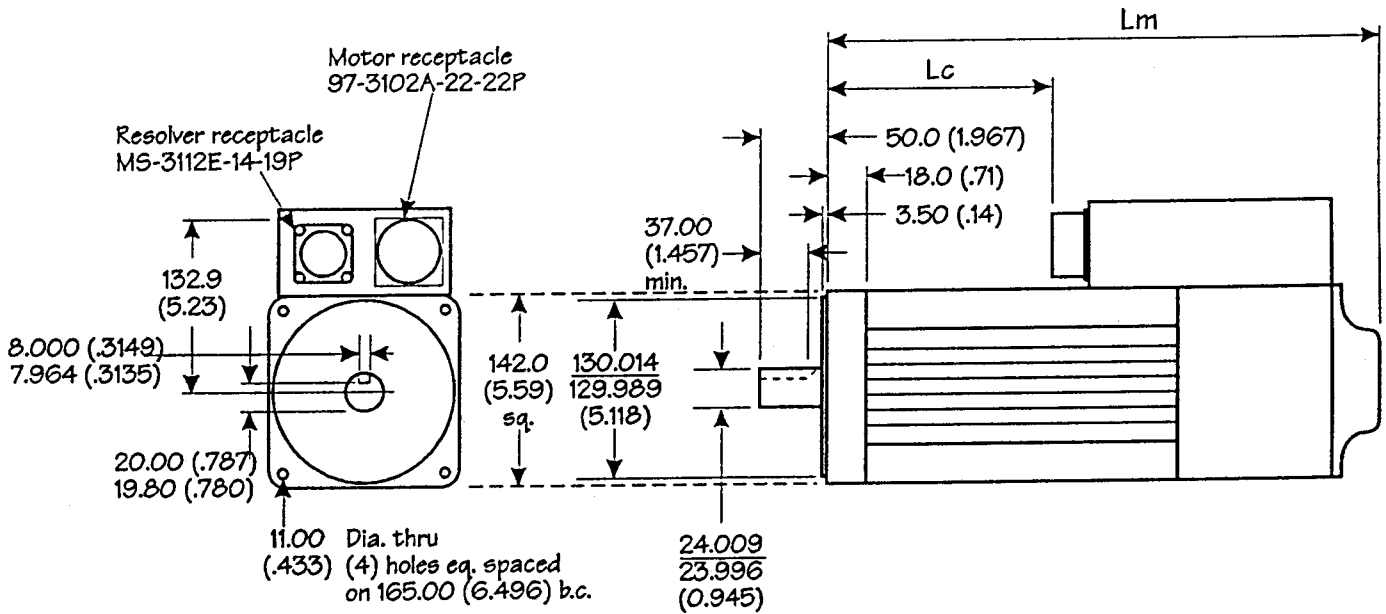
1. All dimensions are in millimeters with the inch equivalents in parentheses.
2. Motor can be mounted in any position.
3. Pressure on shaft seal must not exceed 3 PSI.

SMR60X Series Motors

Performance Curves
and
Dimensions



	Lm	Lc
SMR602	299.2 (11.78)	139.0 (5.47)
SMR604	367.8 (14.48)	207.6 (8.17)

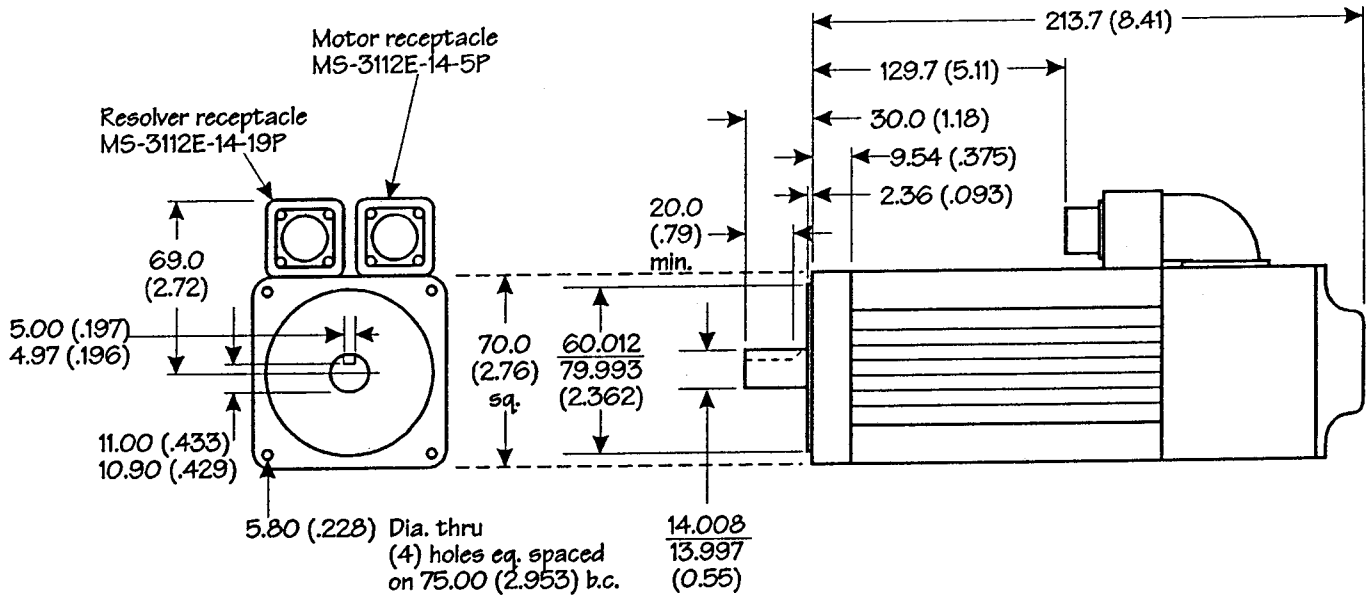
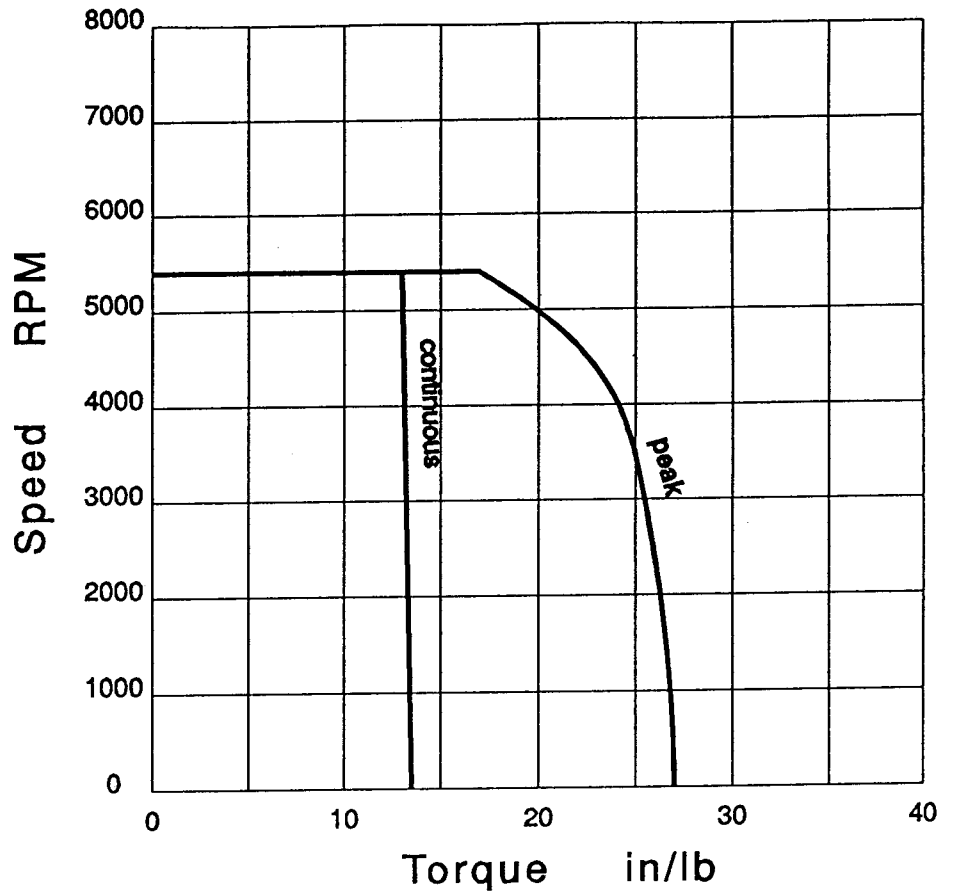


Notes:

1. All dimensions are in millimeters with the inch equivalents in parentheses.
2. Motor can be mounted in any position.
3. Pressure on shaft seal must not exceed 3 PSI.
4. Units are certified to meet IP65 sealing.

SMR104 Motor

**Performance Curves
 and
 Dimensions**



Notes:

1. All dimensions are in millimeters with the inch equivalents in parentheses.
2. Motor can be mounted in any position.
3. Pressure on shaft seal must not exceed 3 PSI.