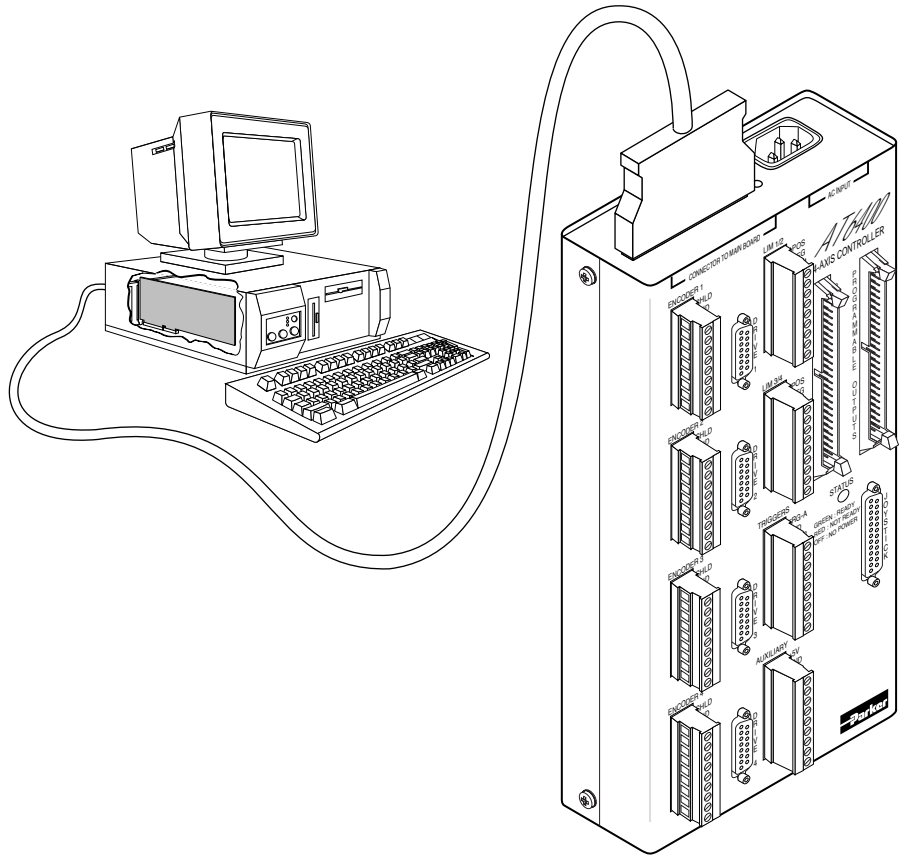


# Compumotor

CE

## AT6200 & AT6400 Indexer *Installation Guide*



Compumotor Division  
Parker Hannifin Corporation  
p/n 88-014541-02A    October 1997



# IMPORTANT

## User Information



### WARNING



6000 Series products are used to control electrical and mechanical components of motion control systems. You should test your motion system for safety under all potential conditions. Failure to do so can result in damage to equipment and/or serious injury to personnel.

6000 Series products and the information in this user guide are the proprietary property of Parker Hannifin Corporation or its licensors, and may not be copied, disclosed, or used for any purpose not expressly authorized by the owner thereof.

Since Parker Hannifin constantly strives to improve all of its products, we reserve the right to change this user guide and software and hardware mentioned therein at any time without notice.

In no event will the provider of the equipment be liable for any incidental, consequential, or special damages of any kind or nature whatsoever, including but not limited to lost profits arising from or in any way connected with the use of the equipment or this user guide.

**© 1995-7, Parker Hannifin Corporation**  
**All Rights Reserved**

Motion Architect is a registered trademark of Parker Hannifin Corporation.  
Motion Builder, CompuCAM and DDE6000 are trademarks of Parker Hannifin Corporation.  
Microsoft and MS-DOS are registered trademarks, and Windows, DDE and NetDDE are trademarks of Microsoft Corporation.  
Motion Toolbox is a trademark of Snider Consultants, Inc.  
LabVIEW is a registered trademark of National Instruments Corporation.

### Technical Assistance Contact your local automation technology center (ATC) or distributor, or ...

#### North America and Asia:

Compumotor Division of Parker Hannifin  
5500 Business Park Drive  
Rohnert Park, CA 94928  
Telephone: (800) 358-9070 or (707) 584-7558  
Fax: (707) 584-3793  
FaxBack: (800) 936-6939 or (707) 586-8586  
BBS: (707) 584-4059  
e-mail: [tech\\_help@cmotor.com](mailto:tech_help@cmotor.com)  
Internet: <http://www.compumotor.com>

#### Europe (non-German speaking):

Parker Digiplan  
21 Balena Close  
Poole, Dorset  
England BH17 7DX  
Telephone: +44 (0)1202 69 9000  
Fax: +44 (0)1202 69 5750

#### Germany, Austria, Switzerland:


HAUSER Elektronik GmbH  
Postfach: 77607-1720  
Robert-Bosch-Str. 22  
D-77656 Offenburg  
Telephone: +49 (0)781 509-0  
Fax: +49 (0)781 509-176

# Change Summary

## *AT6n00 Installation Guide*

**88-014541-02**  
**REV. A**

The following is a summary of the primary technical changes to this installation guide for the AT6200 and AT6400 products, collectively referred to as the “AT6n00” products. The part number of this guide changed to reflect the changes required to make the AT6n00 CE-compatible. This book, p/n 88-014541-02A, supersedes 88-014541-01B.

| <b>Topic</b>                                                                                                        | <b>Description</b>                                                                                                                                                                                                                                                                                                                                                                                                                                                                                                                                                        |
|---------------------------------------------------------------------------------------------------------------------|---------------------------------------------------------------------------------------------------------------------------------------------------------------------------------------------------------------------------------------------------------------------------------------------------------------------------------------------------------------------------------------------------------------------------------------------------------------------------------------------------------------------------------------------------------------------------|
| CE Installation Instructions<br> | <p>The AT6n00 may now conform to the EMC, LVD, and Marking Directives necessary for CE compliance when it is installed per the instructions in Appendix A*. The ultimate responsibility for ensuring that the CE requirements for the system are met rests with the system builder.</p> <p>This CE compliance is valid for Serial Numbers 971101xxxx and greater. Also valid for Serial Numbers prior to this if CE sticker is present on the unit.</p> <p>*Note: The AT6400-AUX1-DC and AT6200-AUX1-DC versions of the AT6n00 are not guaranteed to be CE compliant.</p> |
| General Specifications                                                                                              | <p><b>Corrections:</b></p> <ul style="list-style-type: none"><li>• The current requirement for the AT6n00 PC card was changed from 3.5A to 1.8A.</li><li>• The current requirement for the AT6200 AC Auxiliary board and the AT6400-240 AC Auxiliary board was changed from 0.3A to .75A.</li></ul>                                                                                                                                                                                                                                                                       |
| Drive Connections                                                                                                   | <p><b>Addition:</b> Diagrams were added to show how to connect to Linearserv, Dynaserv, Zeta, S, OEM650, and PDS drives.</p> <p><b>Deletion:</b> The diagram showing how to connect to the PK2 drive was removed.</p>                                                                                                                                                                                                                                                                                                                                                     |
| Encoder Connections                                                                                                 | <p><b>Addition:</b> Wire colors were added for Compumotor OS and RS Series motors.</p>                                                                                                                                                                                                                                                                                                                                                                                                                                                                                    |
| Output Connections                                                                                                  | <p><b>Correction:</b> Diagram for Connection to a Sourcing Input now shows OUT-P pulled up by external power supply.</p>                                                                                                                                                                                                                                                                                                                                                                                                                                                  |
| Input Power                                                                                                         | <p><b>Correction:</b> Removed reference to AT6200 from 240VAC Input diagram. Also,</p> <ul style="list-style-type: none"><li>• The current requirement for the AT6n00 PC card was changed from 3.5A to 1.8A.</li><li>• The current requirement for the AT6200 AC Auxiliary board and the AT6400-240 AC Auxiliary board was changed from 0.3A to .75A.</li></ul>                                                                                                                                                                                                           |
| Troubleshooting                                                                                                     | <p><b>Correction:</b> Solution 2b. for "Motion Does Not Occur" problem was corrected from "Set LSPOS to a value less than LSNEG." to "Set LSPOS to a value greater than LSNEG."</p>                                                                                                                                                                                                                                                                                                                                                                                       |
| Back Cover Quick Reference                                                                                          | <p><b>Correction:</b> The current requirement for the AT6200 AC Auxiliary board and the AT6400-240 AC Auxiliary board was changed from 0.3A to .75A.</p>                                                                                                                                                                                                                                                                                                                                                                                                                  |



# ABOUT THIS BOOK

## Chapter 1. Installation

|                                                            |    |
|------------------------------------------------------------|----|
| What You Should Have (ship kit).....                       | 2  |
| Before You Begin .....                                     | 2  |
| Electrical Noise.....                                      | 2  |
| Airborne Contaminants.....                                 | 2  |
| General Specifications.....                                | 3  |
| Configuration/Customization—Optional DIP Switch Settings.. | 4  |
| PC Card Installation.....                                  | 5  |
| Mounting .....                                             | 6  |
| System Electrical Connections .....                        | 7  |
| Grounding System.....                                      | 7  |
| Verify Factory-Wired Connections .....                     | 8  |
| AUX Board Cable.....                                       | 8  |
| Pulse Cut-Off (P-CUT) — Emergency Stop Switch....          | 8  |
| Motor Drivers.....                                         | 9  |
| End-of-Travel and Home Limit Inputs .....                  | 11 |
| Encoders.....                                              | 12 |
| Joystick & Analog Inputs .....                             | 13 |
| Trigger Inputs.....                                        | 14 |
| General-Purpose Programmable Inputs & Outputs..            | 15 |
| Input Power.....                                           | 19 |
| Lengthening I/O Cables.....                                | 20 |
| Installation Test.....                                     | 21 |
| What's Next?.....                                          | 22 |

## Chapter 2. Troubleshooting

|                                                             |    |
|-------------------------------------------------------------|----|
| Troubleshooting Basics.....                                 | 24 |
| Reducing Electrical Noise.....                              | 24 |
| Diagnostic LEDs.....                                        | 24 |
| Test Program .....                                          | 24 |
| Motion Architect's Panel Module .....                       | 25 |
| Technical Support.....                                      | 25 |
| Common Problems & Solutions .....                           | 25 |
| Problem/Cause/Solution Table.....                           | 25 |
| Interrupt & Address Selection.....                          | 27 |
| Downloading Errors (downloading the operating system) ..... | 27 |
| Product Return Procedure .....                              | 28 |

|                                               |    |
|-----------------------------------------------|----|
| <b>Appendix A:</b> CE Installation Guide..... | 29 |
|-----------------------------------------------|----|

|                    |    |
|--------------------|----|
| <b>Index</b> ..... | 35 |
|--------------------|----|

---

## Purpose of This Book

This book describes how to install and troubleshoot the AT6200 and AT6400 hardware. Programming related issues are covered in the *6000 Series Programmer's Guide* and the *6000 Series Software Reference*.

### **“AT6n00”**

Hereafter, the AT6200 and AT6400 are referred to collectively as the “AT6n00.”

## What You Should Know

To install and troubleshoot the AT6n00, you should have a fundamental understanding of:

- IBM PC-compatible computer hardware and software operations
- Basic electronics concepts (such as voltage, switches, current, etc.)
- Basic motion control concepts (such as torque, velocity, distance and force)

## Related Publications

- *6000 Series Software Reference*, Parker Hannifin Corporation, Compumotor Division; part number 88-012966-01
- *6000 Series Programmer's Guide*, Parker Hannifin Corporation, Compumotor Division; part number 88-014540-01
- Current *Parker Compumotor Motion Control Catalog*
- Operations user guide for the IBM-compatible PC-AT computer
- Schram, Peter (editor). *The National Electric Code Handbook (Third Edition)*. Quincy, MA: National Fire Protection Association

## AT6n00 Indexer: CE Compliance

---



Product Type: AT6200-120/240, AT6400-AUX1-120V, and AT6400-AUX1-240V

The above products have been demonstrated to be CE compliant, per the following directives, when installed according to the instructions in Appendix A of this Installation Guide.

- 89/336/EEC      Electromagnetic Compatibility Directive (EMC)
- 72/23/EEC      Low Voltage Directive (LVD)
- 93/68/EEC      CE Marking Directive

AT6n00 Indexers, when installed according to just the procedures in the main body of this Installation Guide, may not necessarily comply with the LVD or EMC directives. To install an AT6n00 Indexer so that it complies with the LVD and EMC directives, you must follow the additional procedures described in Appendix A, under *CE Installation Instructions*. In some installations, additional measures may be required. If you do not follow these instructions, the protection of the product may be impaired. The ultimate responsibility for ensuring that the CE requirements for the system are met rests with the system builder.

This CE compliance is valid for units with Serial Numbers 971101xxxx and greater. It is also valid for Serial Numbers prior to this if the CE sticker is present on the unit.

Note: The AT6200-AUX1-DC and AT6400-AUX1-DC versions of the AT6n00 have not been demonstrated to be CE compliant. Following the installation instructions in Appendix A will improve performance, but does not ensure CE compliance for the AT6200-AUX1-DC and AT6400-AUX1-DC.

CHAPTER ONE

# 1 Installation

## IN THIS CHAPTER



- Product ship kit list
- General specifications table
- PC card installation procedures
- Mounting procedures
- Electrical connection procedures (including specifications)
- Installation test procedures
- Preparation for what to do next

# What You Should Have (*ship kit*)

If an item is missing, call the factory (see phone numbers on inside front cover).

| Part Name                                                   | Part Number             |
|-------------------------------------------------------------|-------------------------|
| One of the following line items:                            |                         |
| AT6200 120/240VAC version (with ship kit).....              | <b>AT6200-120/240</b>   |
| AT6200 DC version (with ship kit).....                      | <b>AT6200-AUX1-DC</b>   |
| AT6400 120VAC version (with ship kit).....                  | <b>AT6400-AUX1-120V</b> |
| AT6400 240VAC version (with ship kit).....                  | <b>AT6400-AUX1-240V</b> |
| AT6400 DC version (with ship kit).....                      | <b>AT6400-AUX1-DC</b>   |
| <b>Ship kit:</b> High density cable, 5-foot (standard)..... | 71-012832-05            |
| High density cable, 15-foot (optional) .....                | 71-012832-15            |
| (2) 10-foot, 15 D - 25 D drive cables .....                 | 71-010432-10            |
| 120VAC power cord.....                                      | 44-000054-01            |
| 240VAC EIA power cord connector<br>(AT6400-240 only) .....  | 43-011905-01            |
| Mounting clips (AC version only) .....                      | 53-012068-02            |
| Mounting screws (AC version only).....                      | 51-006037-01            |
| Ferrite absorber beads (2 included) .....                   | 47-015956-01            |
| Cable clamp (1 included, in 2 pieces) .....                 | 53-016131-01            |
| (This installation guide) .....                             | 88-014541-02            |
| <i>6000 Series Software Reference</i> .....                 | 88-012966-01            |
| <i>6000 Series Programmer's Guide</i> .....                 | 88-014540-01            |
| Motion Architect diskettes: Disk 1.....                     | 95-013070-01            |
| Disk 2.....                                                 | 95-013070-02            |
| Drivers & Samples Disk .....                                | 95-016324-01            |

## Before You Begin

 **WARNINGS** 

The AT6n00 is used to control your system's electrical and mechanical components. Therefore, you should test your system for safety under all potential conditions. Failure to do so can result in damage to equipment and/or serious injury to personnel.

Always remove power to the computer before:

- Installing or removing the AT6n00 PC card
- Adjusting the DIP switches on the AT6n00 PC card after it is installed in the computer
- Connecting electrical devices to the AT6n00 PC card after it is installed in the computer

## Recommended Installation Process

- Review the general specifications.
- Install the AT6n00 card.
- Mount the AUX box.
- Connect all electrical system components.
- Test the installation.
- Mount the motor and couple the load.
- Program your motion control functions. Programming instructions are provided in the 6000 Series Programmer's Guide and the 6000 Series Software Reference. We recommend using the programming tools provided in Motion Architect for Windows (found in your ship kit). You can also benefit from an optional iconic programming interface call Motion Builder (sold separately).

## Electrical Noise Minimization Guidelines

- Do not route high-voltage wires and low-level signals in the same conduit.
- Ensure that all components are properly grounded.
- Ensure that all wiring is properly shielded.
- Noise suppression guidelines are provided on page 20 and in Appendix A.



# General Specifications

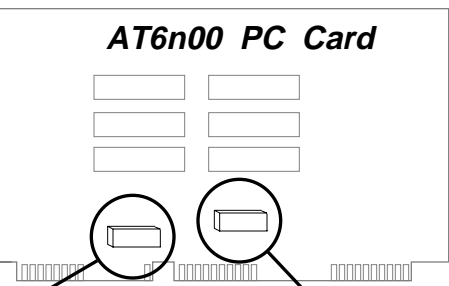
| Parameter                                                                                                     | Specification                                                                                                                                                                                                                                                                                                         |
|---------------------------------------------------------------------------------------------------------------|-----------------------------------------------------------------------------------------------------------------------------------------------------------------------------------------------------------------------------------------------------------------------------------------------------------------------|
| <b>Power</b>                                                                                                  |                                                                                                                                                                                                                                                                                                                       |
| AT6n00 PC Card.....                                                                                           | 5VDC @ 1.8A from the PC-AT bus                                                                                                                                                                                                                                                                                        |
| AT6200 AC AUX Board (AC or DC input) .....                                                                    | 90-264VAC, 50/60Hz, 0.75A @ 240VAC, single-phase; or connect an external power source (5VDC ±5% @ 1.6A) to a +5V terminal on the <b>AUXILIARY</b> connector                                                                                                                                                           |
| AT6400-120V AUX Board (AC or DC input).....                                                                   | 90-132VAC, 50/60Hz, 1.5A @ 120VAC, single-phase; or connect an external power source (5VDC ±5% @ 1.6A) to a +5V terminal on the <b>AUXILIARY</b> connector                                                                                                                                                            |
| AT6400-240V AUX Board (AC or DC input).....                                                                   | 90-264VAC, 50/60Hz, 0.75A @ 240VAC, single-phase; or connect an external power source (5VDC ±5% @ 1.6A) to a +5V terminal on the <b>AUXILIARY</b> connector                                                                                                                                                           |
| AT6n00-DC AUX Board .....                                                                                     | +5VDC (±5%) @ 1.6A                                                                                                                                                                                                                                                                                                    |
| Status LEDs/fault detection.....                                                                              | Refer to <i>Status LEDs</i> in Chapter 2                                                                                                                                                                                                                                                                              |
| <b>Environmental</b>                                                                                          |                                                                                                                                                                                                                                                                                                                       |
| Operating Temperature .....                                                                                   | 32-122°F (0-50°C)                                                                                                                                                                                                                                                                                                     |
| Storage Temperature.....                                                                                      | -22-185°F (-30-85°C)                                                                                                                                                                                                                                                                                                  |
| Humidity .....                                                                                                | 0-95% non-condensing                                                                                                                                                                                                                                                                                                  |
| <b>Performance</b>                                                                                            |                                                                                                                                                                                                                                                                                                                       |
| Position Range .....                                                                                          | ±2,147,483,648 steps                                                                                                                                                                                                                                                                                                  |
| Velocity Range .....                                                                                          | 1-1,600,000 steps/sec                                                                                                                                                                                                                                                                                                 |
| Acceleration Range.....                                                                                       | 1-24,999,975 steps/sec <sup>2</sup>                                                                                                                                                                                                                                                                                   |
| Stepping Accuracy .....                                                                                       | ±0 steps from preset total                                                                                                                                                                                                                                                                                            |
| Velocity Accuracy .....                                                                                       | ±0.02% of maximum rate                                                                                                                                                                                                                                                                                                |
| Velocity Repeatability .....                                                                                  | ±0.02% of set rate                                                                                                                                                                                                                                                                                                    |
| Motion Algorithm Update Rate.....                                                                             | 2 ms                                                                                                                                                                                                                                                                                                                  |
| Calculation to determine contouring deviation from an arc<br>(due to straight-line approximation to a curve): |                                                                                                                                                                                                                                                                                                                       |
| $\text{Error in steps} = \frac{(v_p * \frac{t}{2})^2}{r}$                                                     |                                                                                                                                                                                                                                                                                                                       |
| Where: $v_p$ = steps/sec, $r$ = radius in steps, $t$ = system update period (2 msec)                          |                                                                                                                                                                                                                                                                                                                       |
| <b>Inputs</b>                                                                                                 |                                                                                                                                                                                                                                                                                                                       |
| <b>ALL INPUTS ARE OPTICALLY ISOLATED</b>                                                                      |                                                                                                                                                                                                                                                                                                                       |
| Home, POS/NEG Limits, Trigger, P-CUT .....                                                                    | HCMOS compatible*; internal 6.8 KΩ pull-ups to AUX-P terminal (wired at factory to +5V); voltage range is 0-24V.                                                                                                                                                                                                      |
| Joystick inputs: Axes Select, Velocity Select, .....                                                          | HCMOS-compatible*; internal 6.8 KΩ pull-ups to 5V; voltage range is 0-24V.<br>Trigger, Release, & Auxiliary                                                                                                                                                                                                           |
| Drive Fault and In-Position.....                                                                              | HCMOS-compatible*; internal 1.0 KΩ pull-up to 5V; voltage range is 0-5V.                                                                                                                                                                                                                                              |
| Analog (joystick connector).....                                                                              | Voltage range = 0-2.5VDC, 8-bit A/D converter.<br>Input voltage must not exceed 5V.                                                                                                                                                                                                                                   |
| Encoder.....                                                                                                  | Differential comparator accepts two-phase quadrature incremental encoders with differential (recommended) or single-ended outputs.<br>Maximum voltage = 5VDC. Switching levels (TTL-compatible): Low ≤ 0.4V, High ≥ 2.4V.<br>Maximum frequency = 1.6 MHz. Minimum time between transitions = 625 ns.                  |
| 24 General-Purpose Programmable .....                                                                         | HCMOS compatible* with internal 6.8 KΩ pull-ups to IN-P terminal (wired to +5V terminal at factory). Voltage range = 0-24V. 50-pin plug is compatible with OPTO-22™ signal conditioning equipment.                                                                                                                    |
| <b>Outputs</b>                                                                                                |                                                                                                                                                                                                                                                                                                                       |
| <b>ALL OUTPUTS ARE OPTICALLY ISOLATED</b>                                                                     |                                                                                                                                                                                                                                                                                                                       |
| 24 General-Purpose Programmable .....                                                                         | Open collector output with 4.7 KΩ pull-ups. Can be pulled up by connecting OUT-P to +5V, or to user-supplied voltage of up to 24V. Max. voltage in the OFF state (not sinking current) = 24V, max. current in the ON state (sinking) = 30mA. 50-pin plug is compatible with OPTO-22™ signal conditioning equipment.   |
| Step, Direction, Shutdown .....                                                                               | Differential line driver output. Signal high ≥ 3.5VDC @ +30mA, signal low ≤ 1.0VDC @ -30mA. <b>+output</b> for each differential driver is active high; <b>-output</b> for each driver is active low. Step pulse width range is 0.3 μs to 20 μs (depends on the value of the <b>PULSE</b> command—default is 0.3 μs). |
| +5V Output.....                                                                                               | +5V terminals are available on the <b>ENCODER</b> and <b>AUXILIARY</b> connectors. Load limit (total load for all I/O connections): 1.5A for the AT6400-120, 1.0A for the AT6400-240 and the AT6200 AC version. Load limit for the DC versions of the AUX boards depends on your external +5V power supply.           |

\* HCMOS-compatible switching voltage levels: Low ≤ 1.00V, High ≥ 3.25V.  
TTL-compatible switching voltage levels: Low ≤ 0.4V, High ≥ 2.4V.

# Configuration/Customization—Optional DIP Switch Settings

**Default Settings**  
 Address = 300 Hex (768 Decimal)  
 Transfer Mode = 16-Bit  
 Interrupts Selected = None

**NOTE**  
 If you change the Address or Interrupt settings and you intend to use Motion Architect, be sure to configure the same settings in Motion Architect's Terminal or Panel Modules.



**DIP Switch SW2**  
 Factory Default Setting Shown



= ON position

**DIP Switch SW1**  
 Factory Default Setting Shown



| INTERRUPTS (SW2) |           |                    |                 |
|------------------|-----------|--------------------|-----------------|
| Switch #         | Interrupt | Description        | Default Setting |
| 1                | IRQ3      | Serial Port (COM4) | OFF             |
| 2                | IRQ4      | Serial Port (COM3) | OFF             |
| 3                | IRQ5      | Parallel Printer   | OFF             |
| 4                | IRQ7      | Parallel Printer   | OFF             |
| 5                | IRQ10     | Unassigned         | OFF             |
| 6                | IRQ11     | Unassigned         | OFF             |
| 7                | IRQ12     | Unassigned         | OFF             |
| 8                | IRQ15     | Unassigned         | OFF             |

Switches are positive-true (ON selects the interrupt setting). Only one switch may be ON at one time.

| ADDRESS (SW1, switches 1-7) |              |     |                 |
|-----------------------------|--------------|-----|-----------------|
| Switch #                    | Binary Value |     | Default Setting |
|                             | Decimal      | Hex |                 |
| 1                           | 512          | 200 | OFF             |
| 2                           | 256          | 100 | OFF             |
| 3                           | 128          | 80  | ON              |
| 4                           | 64           | 40  | ON              |
| 5                           | 32           | 20  | ON              |
| 6                           | 16           | 10  | ON              |
| 7                           | 8            | 8   | ON              |

Switches are negative-true (OFF selects the address value). The sum of the binary values of DIP switches 1-7 comprise the PC card's device address. The device address must be an even multiple of eight.

**TRANSFER MODE (SW1, switch 8)**

Switch #8 ON = 16-Bit Transfer Mode (default)  
 Switch #8 OFF = 8-Bit Transfer Mode

*The 16-bit transfer mode offers higher performance than the 8-bit mode.*

| Computer I/O Address Space Map |                |                         |
|--------------------------------|----------------|-------------------------|
| Address Range                  | Description    |                         |
|                                | Decimal        | Hex                     |
| 000-255                        | 000-0FF        | Used by AT mother-board |
| 496-511                        | 1F0-1FF        | Hard Disk (AT)          |
| 512-527                        | 200-20F        | Game Controller         |
| 528-543                        | 210-21F        | Expansion Unit          |
| 568-571                        | 238-23B        | Bus Mouse               |
| 572-575                        | 23C-23F        | Alternate Bus Mouse     |
| 624-639                        | 270-27F        | Parallel Printer Port   |
| 688-734                        | 2B0-2DF        | EGA Card                |
| 736-743                        | 2E0-2E7        | GPIB                    |
| 744-751                        | 2E8-2EF        | Serial Port (4)         |
| 760-767                        | 2F8-2FF        | Serial Port (2)         |
| <b>768-799</b>                 | <b>300-31F</b> | <b>Prototype Card</b>   |
| 800-815                        | 320-32F        | Hard Disk (XT)          |
| 888-895                        | 378-37F        | Parallel Printer        |
| 896-911                        | 380-38F        | SDLC                    |
| 928-943                        | 3A0-3AF        | SDLC                    |
| 944-955                        | 3B0-3BB        | Monochrome Card         |
| 956-959                        | 3BC-3BF        | Parallel Printer        |
| 960-975                        | 3C0-3CF        | EGA Card                |
| 976-991                        | 3D0-3DF        | CGA Card                |
| 1000-1007                      | 3E8-3EF        | Serial Port (3)         |
| 1008-1015                      | 3F0-3F7        | Floppy Disk             |
| 1016-1023                      | 3F8-3FF        | Serial Port (1)         |

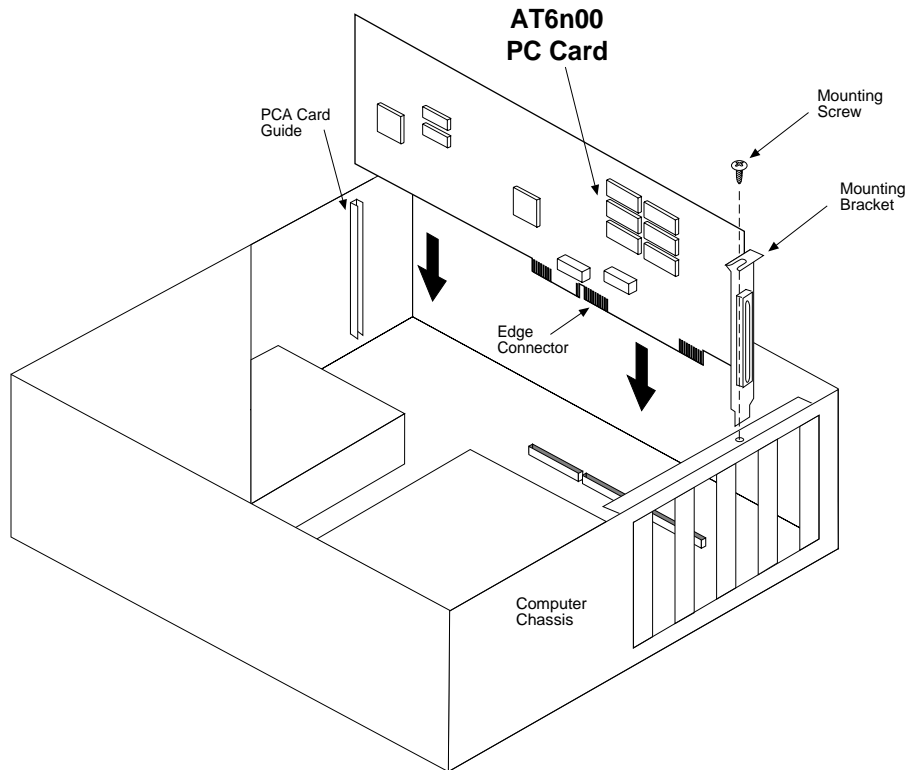
# PC Card Installation

---

- Step 1** Turn off the power to the computer.
- Step 2** Remove the computer's cover to access the internal slots where peripheral cards are added.
- Step 3** Select an expansion slot in your PC and remove the sheet metal bracket that covers the associated external access slot. *Save the screw.* On IBM AT and IBM AT-compatible computers, this is at the rear access panel where all external connections are made. This bracket is replaced by the bracket on the end of the AT6n00 card.
- Step 4** Select a 16-bit slot to install the AT6n00 card.

**CAUTION**  
While handling the AT6n00 card, be sure to observe proper grounding techniques to prevent damage from electro-static discharge (ESD).

- Step 5** Insert the bottom corner of the AT6n00 PC card into the card guide slot near the front of the computer. Ease both ends of the card simultaneously down into the computer until the card's edge connector reaches the computer's mating connector (see drawing below). Adjust the card until the edge connectors align and press it down into the mating connector.



- Step 6** Using the screw that secured the original access slot cover bracket, fasten the AT6n00 mounting bracket to the computer chassis (see drawing above).

# Mounting

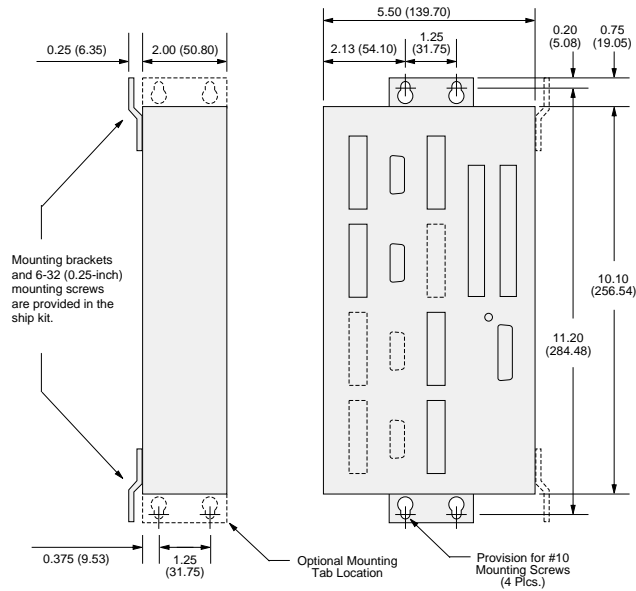
This mounting procedure will not ensure CE compliance. Refer to Appendix A for specific CE installation instructions.

To mount the AUX board, you must first attach the mounting brackets. The mounting brackets and 6-32 (0.25-inch) mounting screws are provided in the ship kit. Do not use screws longer than 0.25 inches; they protrude too far into the box and may damage the AUX board.

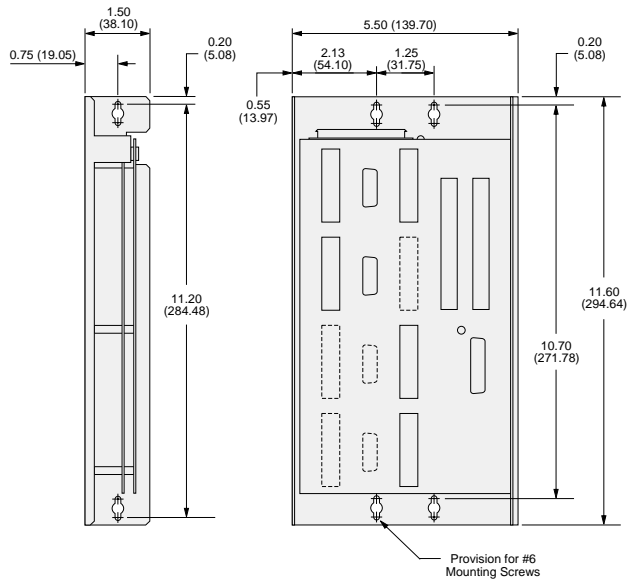
Observe the following mounting precautions:

- Mount the AUX board within the reach of the supplied 5-foot indexer-to-AUX cable. **You may not lengthen or shorten this cable.** You can order custom cables up to 15 feet from Compumotor's Custom Products Group at (800) 358-9068. A 15-foot cable is available (part number 71-012832-15).
- If you mount the AUX board in an enclosure with other equipment, be sure to maintain at least 6 inches of unrestricted air-flow space around the board. The maximum allowable ambient temperature directly below the AUX board is 122°F (50°C). Fan cooling may be necessary if adequate air flow is not provided.

AC Input AUX Boards



DC Input AUX Boards



## Environmental Considerations

### Temperature

Operate the AT6n00 in ambient temperatures between 32°F (0°C) and 122°F (50°C)

### Humidity

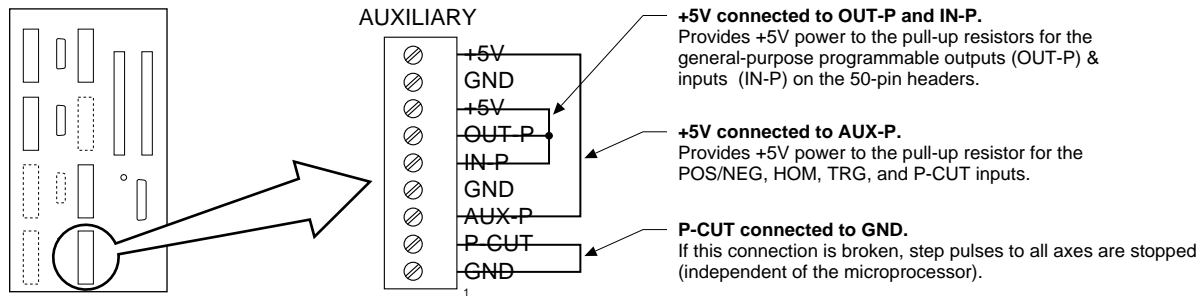
Keep below 95%, non-condensing.

### Airborne Contaminants, Liquids

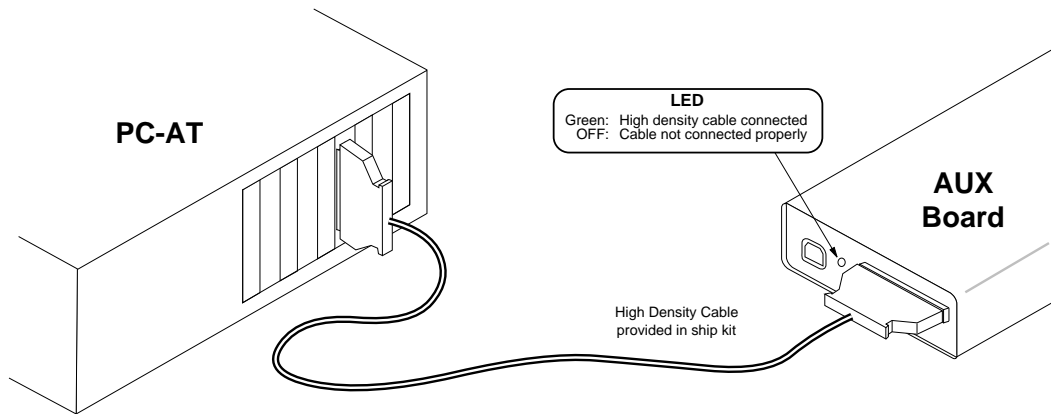
Particulate contaminants, especially electrically conductive material, such as metal shavings and grinding dust, can damage the AT6n00. Do not allow liquids or fluids to come in contact with the AT6n00 card, its AUX board, or its cables.



## Verify Factory-Wired Connections

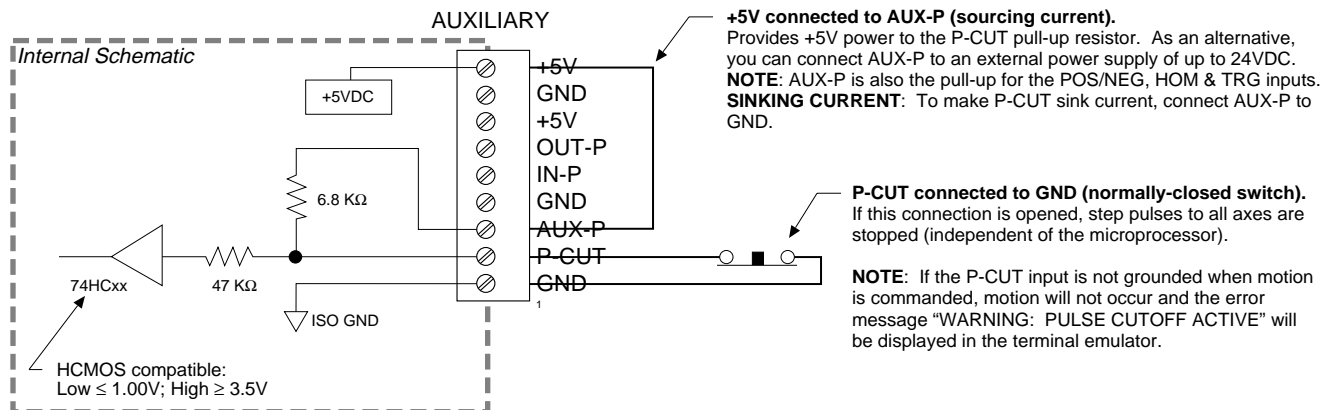


## AUX Board Cable



This cable installation procedure will not ensure CE compliance. Refer to Appendix A for specific CE installation instructions.

## Pulse Cut-Off (P-CUT) — Emergency Stop Switch

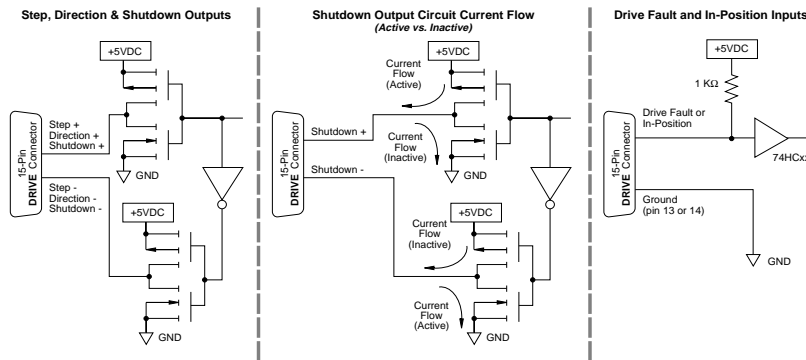


# Motor Drivers

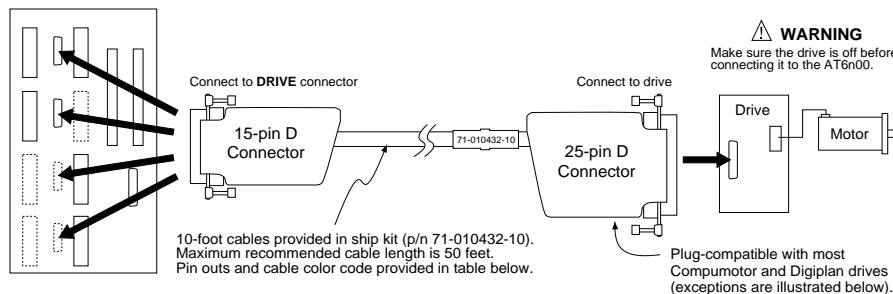
## PIN OUTS & SPECIFICATIONS (15-pin DRIVE Connector)

| 15 D Pin # | Cable Color/25 D Pin # | In/Out | Name                 | Description                                                                                                                                                                                                                                                                                                                                                                                 |
|------------|------------------------|--------|----------------------|---------------------------------------------------------------------------------------------------------------------------------------------------------------------------------------------------------------------------------------------------------------------------------------------------------------------------------------------------------------------------------------------|
| 1          | Red/1                  | OUT    | Step (+)             | Differential output. Step (pulse) output to the drive. Step + signal is active high. Signal levels: Low $\leq 1.0\text{VDC}$ @ -30mA, High $\geq 3.5\text{VDC}$ @ +30mA.                                                                                                                                                                                                                    |
| 2          | Green/2                | OUT    | Direction (+)        | Differential output. High signal on Direction + specifies motion in the positive direction; Low signal on Direction + specifies motion in the negative direction. Signal levels: Low $\leq 1.0\text{VDC}$ @ -30mA, High $\geq 3.5\text{VDC}$ @ +30mA.                                                                                                                                       |
| 3          | —                      | —      | Reserved             | -----                                                                                                                                                                                                                                                                                                                                                                                       |
| 4          | Gray/10                | IN     | In-Position          | Used for digital servo drives to indicate that the motor has reached the target position. HCMOS switching levels (Low $\leq 1.0\text{V}$ , High $\geq 3.25\text{V}$ ). Voltage range: 0-5V.                                                                                                                                                                                                 |
| 5          | Yellow/9               | IN     | Drive Fault          | An active-high (current not flowing) signal that tells the AT6n00 a drive has faulted. HCMOS switching levels (Low $\leq 1.0\text{V}$ , High $\geq 3.25\text{V}$ ). You can use the DRFLVL command to change the active level to low (current flowing) if desired. <b>NOTE:</b> The Drive Fault input will not be recognized until the input functions are enabled with the INFEN1 command. |
| 6          | —                      | —      | Reserved             | -----                                                                                                                                                                                                                                                                                                                                                                                       |
| 7          | —                      | OUT    | +5V                  | Isolated +5V.                                                                                                                                                                                                                                                                                                                                                                               |
| 8          | Bare Wire/5            | —      | Shield               | Connected to chassis (earth) ground within the AT6n00.                                                                                                                                                                                                                                                                                                                                      |
| 9          | Black/14               | IN     | Step Return (-)      | Differential output. Step (pulse) output to the drive. Step - signal is active low.                                                                                                                                                                                                                                                                                                         |
| 10         | White/15               | IN     | Direction Return (-) | Differential output. Low signal on Direction - specifies motion in the positive direction; High signal on Direction - specifies motion in the negative direction.                                                                                                                                                                                                                           |
| 11         | Blue/16                | OUT    | Shutdown (+)         | Differential output. This signal is used to turn off current in the motor windings. High signal on Shutdown + indicates the motor winding current should be off. Signal levels: Low $\leq 1.0\text{VDC}$ @ -30mA, High $\geq 3.5\text{VDC}$ @ +30mA.                                                                                                                                        |
| 12         | Purple/17              | IN     | Shutdown Return (-)  | Differential output. This signal is used to turn off current in the motor windings. Low signal on Shutdown - indicates the motor winding current should be off.                                                                                                                                                                                                                             |
| 13         | Orange/21              | —      | Ground               | Isolated logic ground                                                                                                                                                                                                                                                                                                                                                                       |
| 14         | Brown/22               | —      | Ground               | Isolated logic ground                                                                                                                                                                                                                                                                                                                                                                       |
| 15         | —                      | —      | Reserved             | -----                                                                                                                                                                                                                                                                                                                                                                                       |

## INTERNAL SCHEMATICS

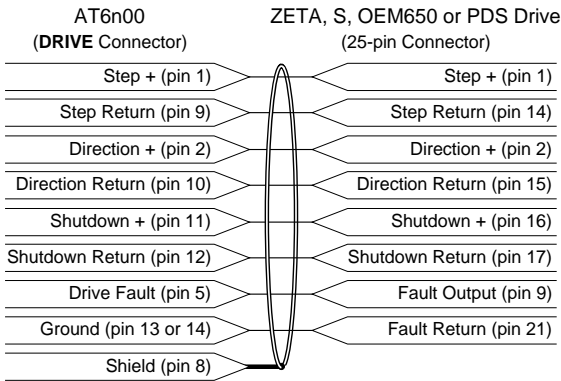


## CONNECTIONS



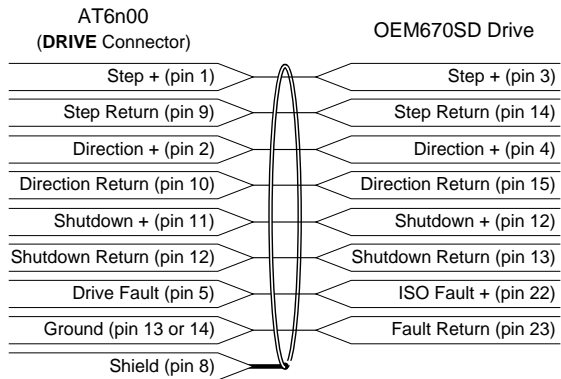
# Motor Driver Connections (cont'd)

## Connecting a ZETA, S, OEM650 or PDS Drive

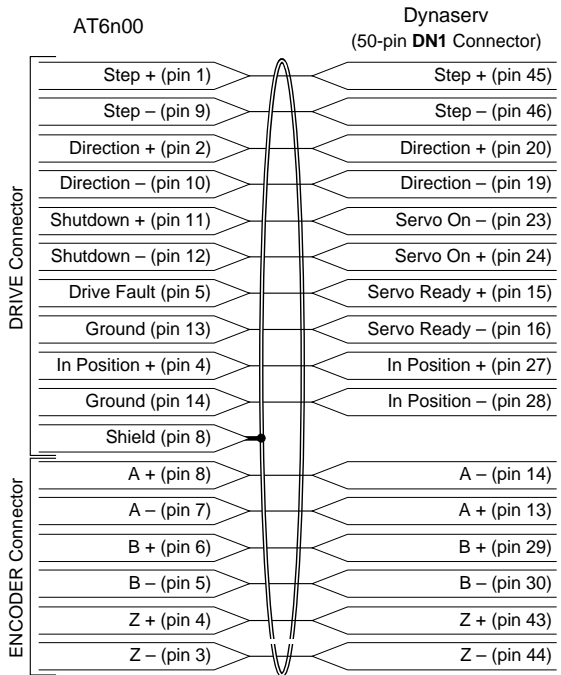


Order the 71-010432-10 10-foot cable for plug compatibility with ZETA, S, OEM650, and PDS.

## Connecting an OEM670SD Drive

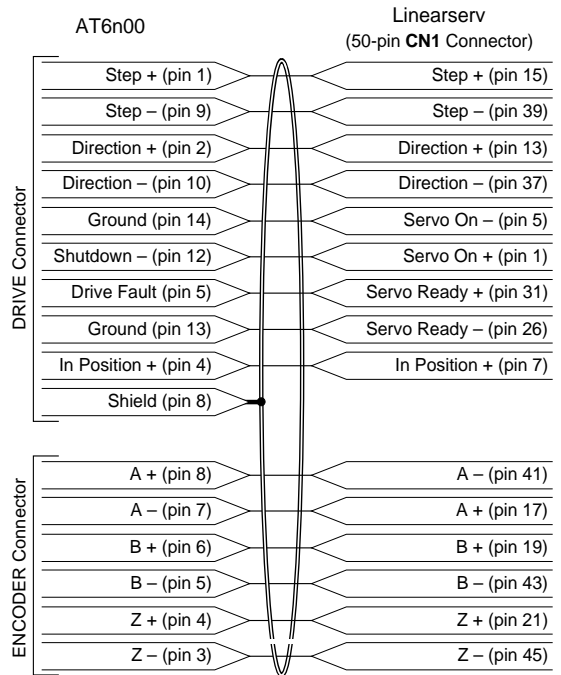


## Connecting a Dynaserv Drive

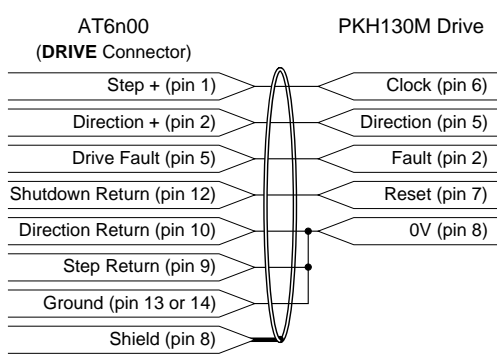


Order the 71-012985-10 10-foot cable for easy plug compatibility with the Dynaserv.

## Connecting a Linearserv Drive



## Connecting a PKH130M Drive

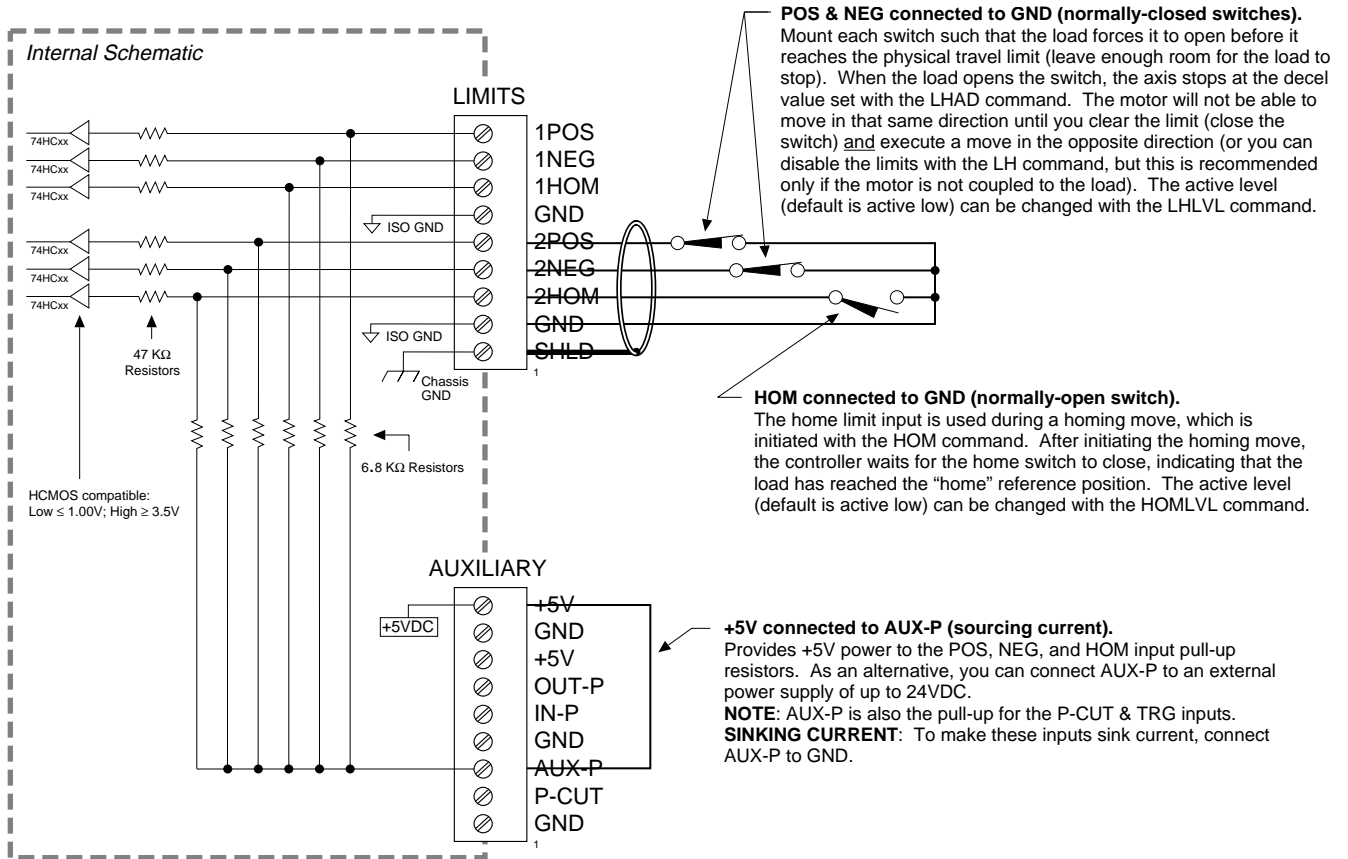




# End-of-Travel and Home Limit Inputs

- NOTES**
- Motion will not occur on a particular axis until you do one of the following:
    - Install end-of-travel (**POS & NEG**) limit switches
    - Disable the limits with the **LHØ** command (recommended only if load is not coupled)
    - Change the active level of the limits with the **LHLVL** command
  - Refer to the *Basic Operations Setup* chapter in the *6000 Series Programmer's Guide* for in-depth discussions about using end-of-travel limits and homing.

## CONNECTIONS & INTERNAL SCHEMATICS



## PIN OUTS & SPECIFICATIONS (9-pin LIMITS Connectors)

| Pin # | In/Out | Name, Axes 1 & 2 | Name, Axes 3 & 4 | Description                                            |
|-------|--------|------------------|------------------|--------------------------------------------------------|
| 9     | IN     | 1POS             | 3POS             | Positive-direction end-of-travel limit input.          |
| 8     | IN     | 1NEG             | 3NEG             | Negative-direction end-of-travel limit input.          |
| 7     | IN     | 1HOM             | 3HOM             | Home limit input.                                      |
| 6     | —      | GND              | GND              | Isolated ground.                                       |
| 5     | IN     | 2POS             | 4POS             | Positive-direction end-of-travel limit input.          |
| 4     | IN     | 2NEG             | 4NEG             | Negative-direction end-of-travel limit input.          |
| 3     | IN     | 2HOM             | 4HOM             | Home limit input.                                      |
| 2     | —      | GND              | GND              | Isolated ground.                                       |
| 1     | —      | SHLD             | SHLD             | Shield—Internally connected to chassis ground (earth). |

**Specification for all limit inputs**

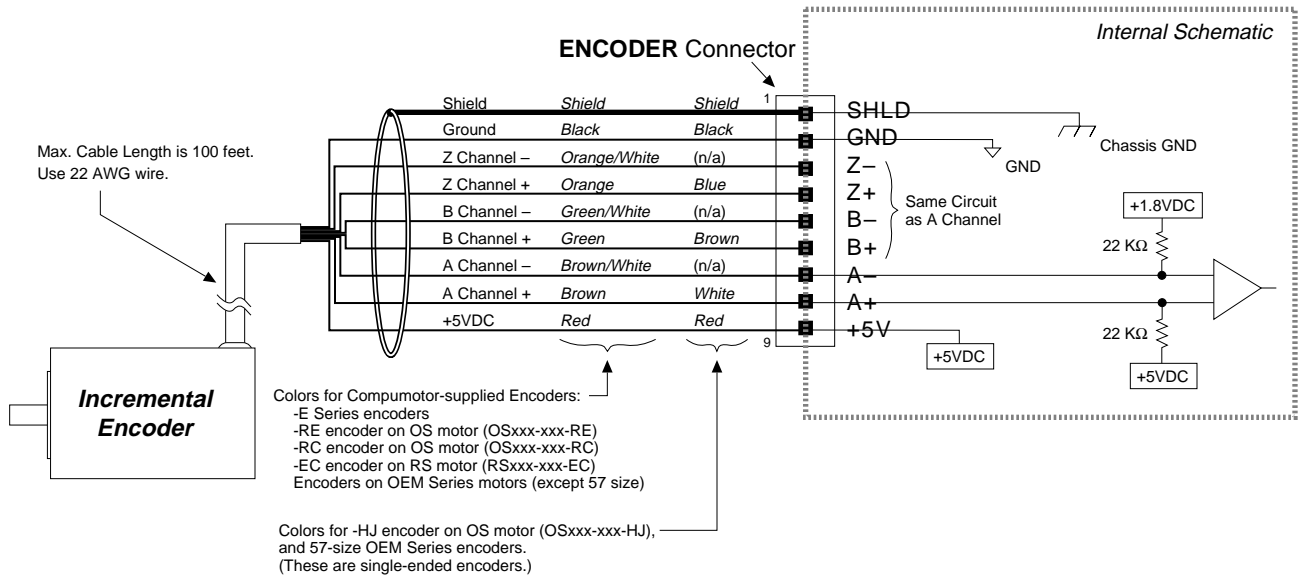
HCMOS compatible (voltage levels: Low ≤ 1.00V, High ≥ 3.25V); internal 6.8 KΩ pull-ups to AUX-P terminal (AUX-P is wired at factory to +5V); voltage range is 0-24V.

Active level for POS & NEG is set with the LHLVL command (default is active low, requiring normally-closed switch).

Active level for HOM is set with the HOMLVL command (default is active low, requiring normally-open switch).

# Encoders

## CONNECTIONS & INTERNAL SCHEMATICS



## PIN OUTS & SPECIFICATIONS (9-pin ENCODER Connectors)

| Pin # | In/Out | Name | Description                                            |
|-------|--------|------|--------------------------------------------------------|
| 1     | ----   | SHLD | Shield—Internally connected to chassis ground (earth). |
| 2     | ----   | GND  | Isolated logic ground.                                 |
| 3     | IN     | Z-   | Z- Channel quadrature signal input.                    |
| 4     | IN     | Z+   | Z+ Channel quadrature signal input.                    |
| 5     | IN     | B-   | B- Channel quadrature signal input.                    |
| 6     | IN     | B+   | B+ Channel quadrature signal input.                    |
| 7     | IN     | A-   | A- Channel quadrature signal input.                    |
| 8     | IN     | A+   | A+ Channel quadrature signal input.                    |
| 9     | OUT    | +5V  | +5VDC output to power the encoder.                     |

**Specification for all encoder inputs**

Differential comparator accepts two-phase quadrature incremental encoders with differential (recommended) or single-ended outputs. Max. frequency is 1.6 MHz. Minimum time between transitions is 625 ns. TTL-compatible voltage levels: Low  $\leq 0.4V$ , High  $\geq 2.4V$ . Maximum input voltage is 5VDC.

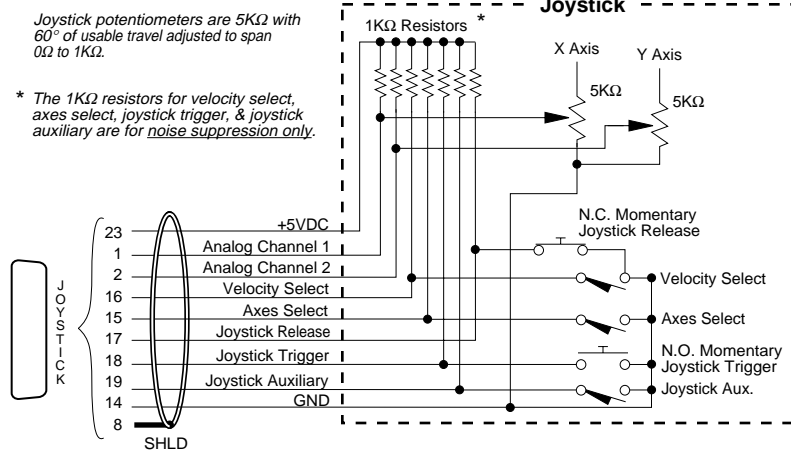
**Requirements for Non-Compumotor Encoders**

- Use incremental encoders with two-phase quadrature output. An index or Z channel output is optional. **Differential outputs are recommended.**
- It must be a 5V encoder to use the AT6n00's +5V output. Otherwise, it must be separately powered with TTL-compatible (low  $\leq 0.4V$ , high  $\geq 2.4V$ ) or open-collector outputs.
- The decoded quadrature resolution should be less than the motor resolution by a factor of four to take advantage of the AT6n00's position maintenance capability.
- If you are using a single-ended encoder, leave the A-, B- and Z- terminals unconnected on the AT6n00.

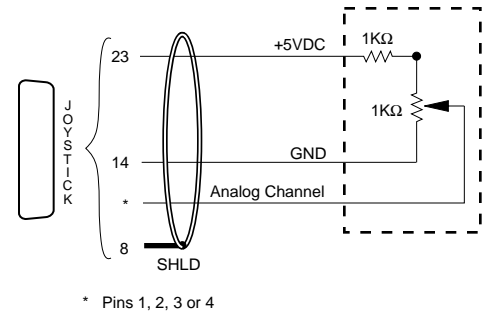
# Joystick & Analog Inputs

## CONNECTIONS

### Joystick

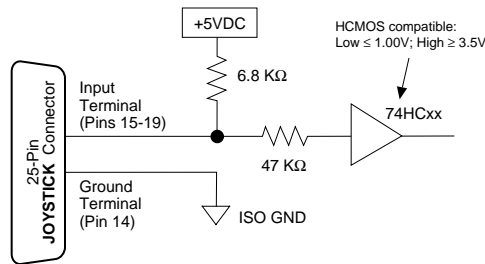


### Feedrate Control (Using a Potentiometer)



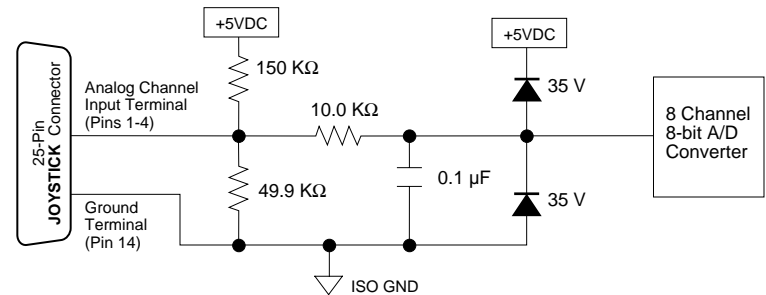
## INTERNAL SCHEMATICS

### Joystick Input Circuit



This input circuit applies to Axes Select, Velocity Select, Joystick Release, Joystick Trigger, & Joystick Auxiliary.

### Analog Channel Input Circuit

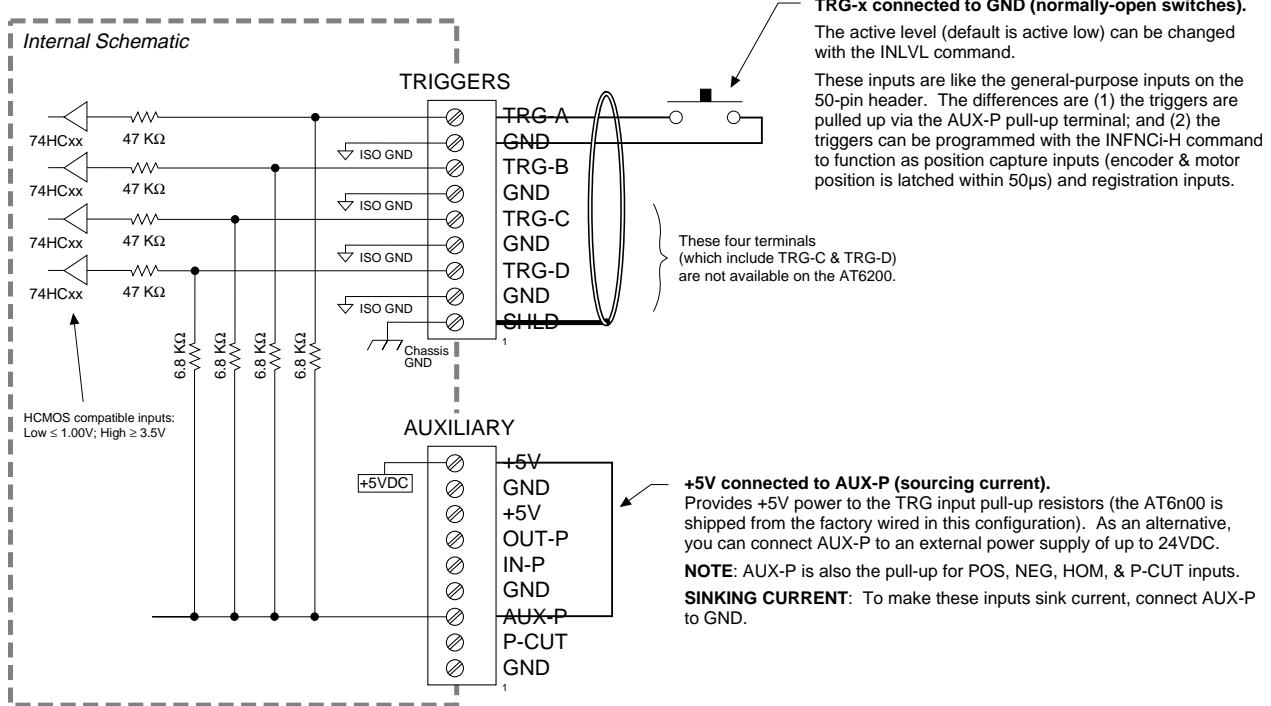


## PIN OUTS & SPECIFICATIONS

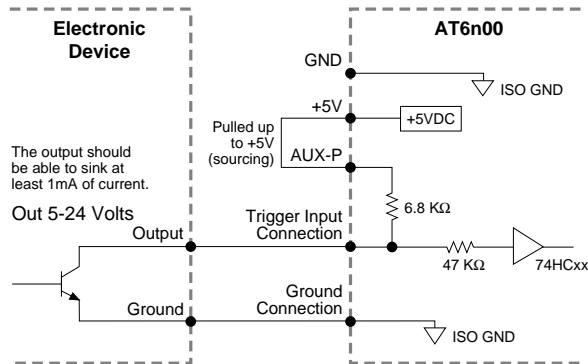
| Pin | In/Out | Name               | Description                                                                                                                                                                      |
|-----|--------|--------------------|----------------------------------------------------------------------------------------------------------------------------------------------------------------------------------|
| 1   | IN     | Analog Channel 1   | Analog input for feedrate control or joystick control of axis. Voltage range is 0-2.5VDC, 8-bit A/D converter. CAUTION: Input voltage must not exceed 5VDC.                      |
| 2   | IN     | Analog Channel 2   | (same description as pin 1 above).                                                                                                                                               |
| 3   | IN     | Analog Channel 3   | (same description as pin 1 above).                                                                                                                                               |
| 4   | IN     | Analog Channel 4   | (same description as pin 1 above).                                                                                                                                               |
| 8   | —      | Shield             | Shield (chassis ground).                                                                                                                                                         |
| 14  | —      | Ground             | Ground (isolated).                                                                                                                                                               |
| 15  | IN     | Axes Select        | If using one joystick, you can use this input to alternately control axes 1 & 2 or axes 3 & 4. *                                                                                 |
| 16  | IN     | Velocity Select    | Input to select high or low velocity range (as defined with the JOYVH or JOYVL commands). *                                                                                      |
| 17  | IN     | Joystick Release   | When low (grounded), joystick mode can be enabled. When high (not grounded), program execution will continue with the first command after the joystick enable (JOY) statement. * |
| 18  | IN     | Joystick Trigger   | Status of this active-low input can be read by a program (using the INO or TINO commands) to control program flow, or to enter the AT6n00 into joystick mode. *                  |
| 19  | IN     | Joystick Auxiliary | Status of this active-low input can be read by a program (using the INO or TINO commands) to control program flow. *                                                             |
| 23  | OUT    | +5VDC (out)        | +5VDC power output.                                                                                                                                                              |

\* Input voltage range for pins 15-19 is 0-24VDC. HCMOS compatible (switching voltage levels: Low  $\leq$  1.00V, High  $\geq$  3.25V).

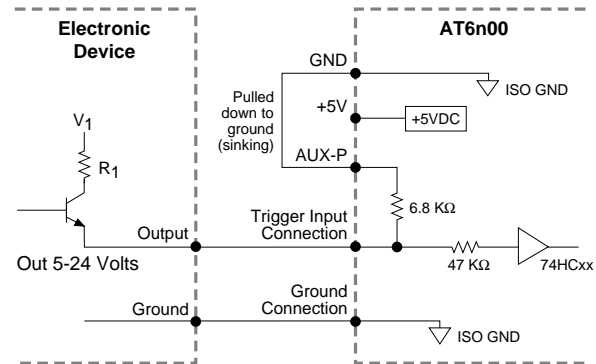
# Trigger Inputs



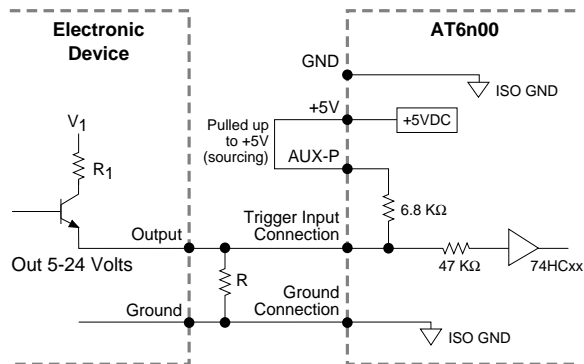
## Connection to a Sinking Output Device



## Connection to a Sourcing Output Device



## Connection to a Combination of Sinking & Sourcing Outputs



Typical value for  $R = 450\Omega$  (assuming  $R_1 = 0$ )

**Note:** The value of  $R$  may vary depending on the value of  $R_1$  and  $V_1$ .

If you will be connecting to a combination of sourcing and sinking outputs, connect AUX-P to +5V to accommodate sinking output devices. Then for each individual input connected to a sourcing output, wire an external resistor between the AT6n00's trigger input terminal and ground (see illustration). The resistor provides a path for current to flow from the device when the output is active.

### PROGRAMMING TIP

**Connecting to a sinking output?** Set the trigger input's active level to low with the INLVL command ( $\emptyset$  = active low, *default setting*).

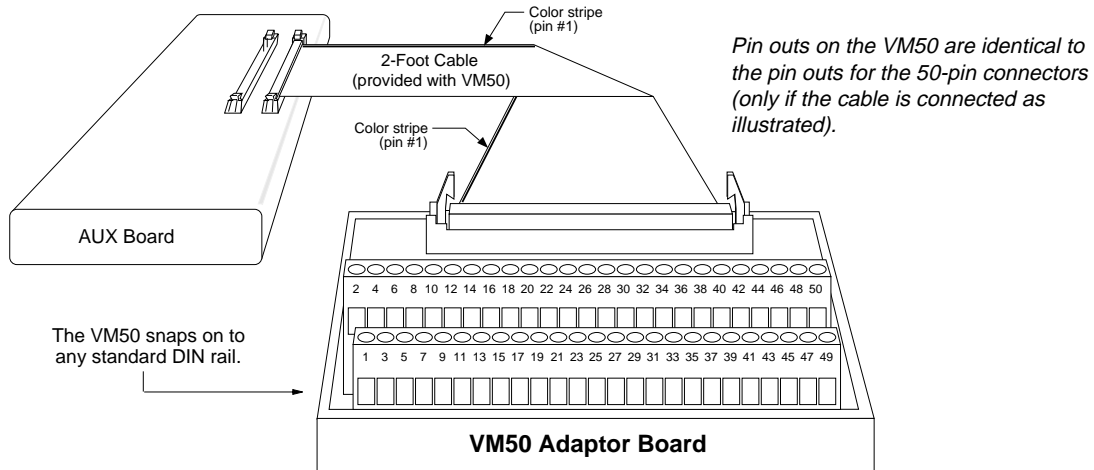
**Connecting to a sourcing output?** Set the trigger input's active level to high with the INLVL command ( $1$  = active high).

Thus, when the output is active, the TIN status command will report a "1" (indicates that the input is active), regardless of the type of output that is connected.

For details on setting the active level and checking the input status refer to the INLVL and TIN command descriptions in the *6000 Series Software Reference Guide*.

# General-Purpose Programmable Inputs & Outputs

## VM50 ADAPTOR — for screw-terminal connections



Note: This configuration will not ensure CE compliance. Refer to Appendix A for specific CE installation instructions.

## PIN OUTS & SPECIFICATIONS

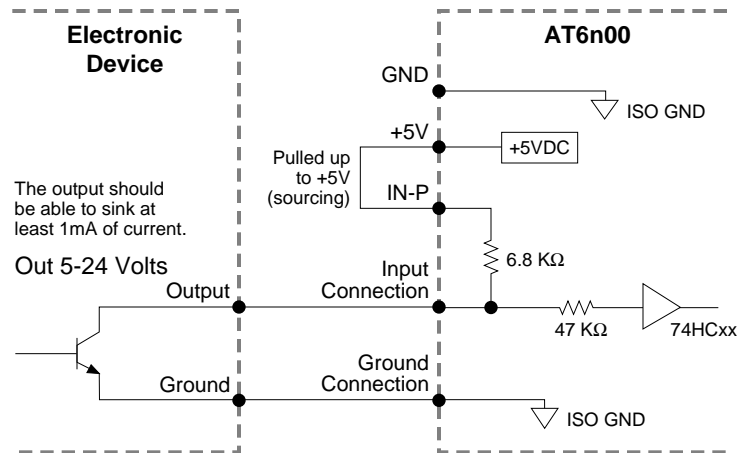
| Inputs                                                                                                     | Pin #     | Function       | Pin # | Function        | Internal Schematic | Specifications                                                                                                                                                                                                                                                                                                                                                                                                                                                                                                     |
|------------------------------------------------------------------------------------------------------------|-----------|----------------|-------|-----------------|--------------------|--------------------------------------------------------------------------------------------------------------------------------------------------------------------------------------------------------------------------------------------------------------------------------------------------------------------------------------------------------------------------------------------------------------------------------------------------------------------------------------------------------------------|
| <br>1 2<br>P<br>R<br>O<br>G<br>R<br>A<br>M<br>M<br>A<br>B<br>L<br>E<br>I<br>N<br>P<br>U<br>T<br>S<br>49 50 | 49        | +5 VDC         | 23    | Input #13       |                    | HCMOS-compatible voltage levels (low $\leq 1.00V$ , high $\geq 3.25V$ ).<br>Voltage range = 0-24V.<br>50-pin plug is compatible with OPTO-22™ signal conditioning equipment.<br>Sourcing Current: On the AUXILIARY connector, connect IN-P to +5V or to your own power supply of up to 24VDC.<br>Sinking Current: On the AUXILIARY connector, connect IN-P to GND.<br>STATUS: Check with the TIN status command.<br>Active level: Default is active low, but can be changed to active high with the INLVL command. |
|                                                                                                            | 47        | Input #1 (LSB) | 21    | Input #14       |                    |                                                                                                                                                                                                                                                                                                                                                                                                                                                                                                                    |
|                                                                                                            | 45        | Input #2       | 19    | Input #15       |                    |                                                                                                                                                                                                                                                                                                                                                                                                                                                                                                                    |
|                                                                                                            | 43        | Input #3       | 17    | Input #16       |                    |                                                                                                                                                                                                                                                                                                                                                                                                                                                                                                                    |
|                                                                                                            | 41        | Input #4       | 15    | Input #17       |                    |                                                                                                                                                                                                                                                                                                                                                                                                                                                                                                                    |
|                                                                                                            | 39        | Input #5       | 13    | Input #18       |                    |                                                                                                                                                                                                                                                                                                                                                                                                                                                                                                                    |
|                                                                                                            | 37        | Input #6       | 11    | Input #19       |                    |                                                                                                                                                                                                                                                                                                                                                                                                                                                                                                                    |
|                                                                                                            | 35        | Input #7       | 9     | Input #20       |                    |                                                                                                                                                                                                                                                                                                                                                                                                                                                                                                                    |
|                                                                                                            | 33        | Input #8       | 7     | Input #21       |                    |                                                                                                                                                                                                                                                                                                                                                                                                                                                                                                                    |
|                                                                                                            | 31        | Input #9       | 5     | Input #22       |                    |                                                                                                                                                                                                                                                                                                                                                                                                                                                                                                                    |
|                                                                                                            | 29        | Input #10      | 3     | Input #23       |                    |                                                                                                                                                                                                                                                                                                                                                                                                                                                                                                                    |
|                                                                                                            | 27        | Input #11      | 1     | Input #24 (MSB) |                    |                                                                                                                                                                                                                                                                                                                                                                                                                                                                                                                    |
| 25                                                                                                         | Input #12 |                |       |                 |                    |                                                                                                                                                                                                                                                                                                                                                                                                                                                                                                                    |

| Outputs                                                                                                         | Pin #      | Function        | Pin # | Function         | Internal Schematic | Specifications                                                                                                                                                                                                                                                                                                                                                                                                                                                             |
|-----------------------------------------------------------------------------------------------------------------|------------|-----------------|-------|------------------|--------------------|----------------------------------------------------------------------------------------------------------------------------------------------------------------------------------------------------------------------------------------------------------------------------------------------------------------------------------------------------------------------------------------------------------------------------------------------------------------------------|
| <br>1 2<br>P<br>R<br>O<br>G<br>R<br>A<br>M<br>M<br>A<br>B<br>L<br>E<br>O<br>U<br>T<br>P<br>U<br>T<br>S<br>49 50 | 49         | +5 VDC          | 23    | Output #13       |                    | Open collector output.<br>Pull-up connection on AUXILIARY connector: Connect OUT-P to +5V, or to an external supply of up to 24V.<br>Max. voltage in the OFF state (not sinking current) = 24V, max. current in the ON state (sinking) = 30mA.<br>50-pin plug is compatible with OPTO-22™ signal conditioning equipment.<br>STATUS: Check with the TOUT status command.<br>Active level: Default is active low, but can be changed to active high with the OUTLVL command. |
|                                                                                                                 | 47         | Output #1 (LSB) | 21    | Output #14       |                    |                                                                                                                                                                                                                                                                                                                                                                                                                                                                            |
|                                                                                                                 | 45         | Output #2       | 19    | Output #15       |                    |                                                                                                                                                                                                                                                                                                                                                                                                                                                                            |
|                                                                                                                 | 43         | Output #3       | 17    | Output #16       |                    |                                                                                                                                                                                                                                                                                                                                                                                                                                                                            |
|                                                                                                                 | 41         | Output #4       | 15    | Output #17       |                    |                                                                                                                                                                                                                                                                                                                                                                                                                                                                            |
|                                                                                                                 | 39         | Output #5       | 13    | Output #18       |                    |                                                                                                                                                                                                                                                                                                                                                                                                                                                                            |
|                                                                                                                 | 37         | Output #6       | 11    | Output #19       |                    |                                                                                                                                                                                                                                                                                                                                                                                                                                                                            |
|                                                                                                                 | 35         | Output #7       | 9     | Output #20       |                    |                                                                                                                                                                                                                                                                                                                                                                                                                                                                            |
|                                                                                                                 | 33         | Output #8       | 7     | Output #21       |                    |                                                                                                                                                                                                                                                                                                                                                                                                                                                                            |
|                                                                                                                 | 31         | Output #9       | 5     | Output #22       |                    |                                                                                                                                                                                                                                                                                                                                                                                                                                                                            |
|                                                                                                                 | 29         | Output #10      | 3     | Output #23       |                    |                                                                                                                                                                                                                                                                                                                                                                                                                                                                            |
|                                                                                                                 | 27         | Output #11      | 1     | Output #24 (MSB) |                    |                                                                                                                                                                                                                                                                                                                                                                                                                                                                            |
| 25                                                                                                              | Output #12 |                 |       |                  |                    |                                                                                                                                                                                                                                                                                                                                                                                                                                                                            |

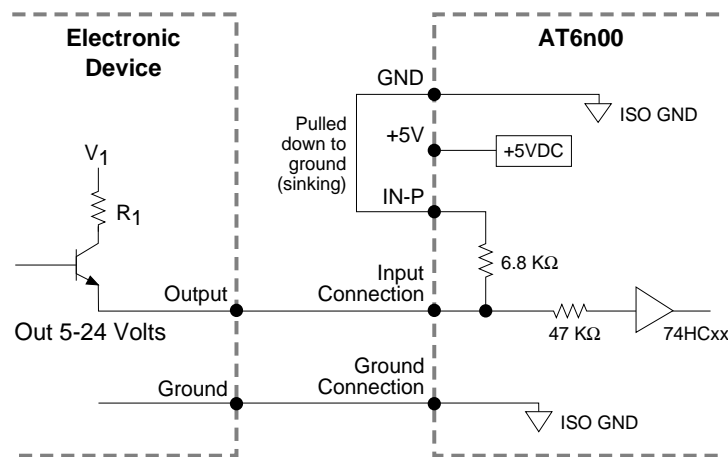
**NOTE:** All even-numbered pins are connected to a common logic ground (DC ground).  
 LSB = least significant bit; MSB = most significant bit

## INPUT CONNECTIONS — Connecting to electronic devices such as PLCs

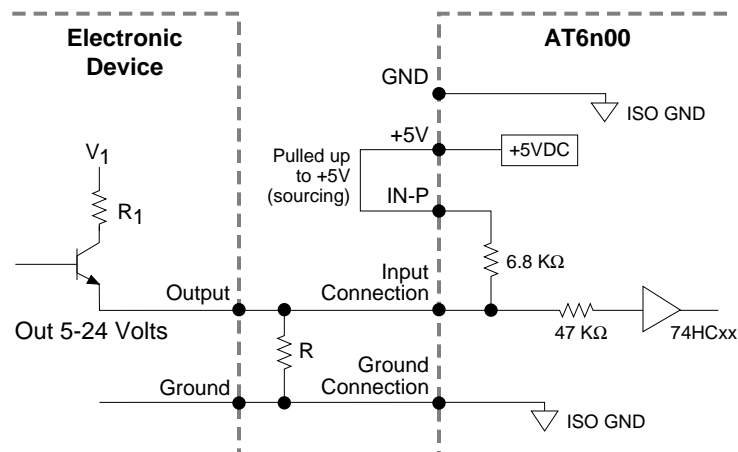
### Connection to a Sinking Output Device



### Connection to a Sourcing Output Device



### Connection to a Combination of Sinking & Sourcing Outputs



Typical value for R = 450 $\Omega$  (assuming R<sub>1</sub> = 0)

**Note:** The value of R may vary depending on the value of R<sub>1</sub> and V<sub>1</sub>.

#### PROGRAMMING TIP

**Connecting to a sinking output?** Set the input's active level to low with the `INLVL` command ( $\emptyset$  = active low).

**Connecting to a sourcing output?** Set the input's active level to high with the `INLVL` command (1 = active high).

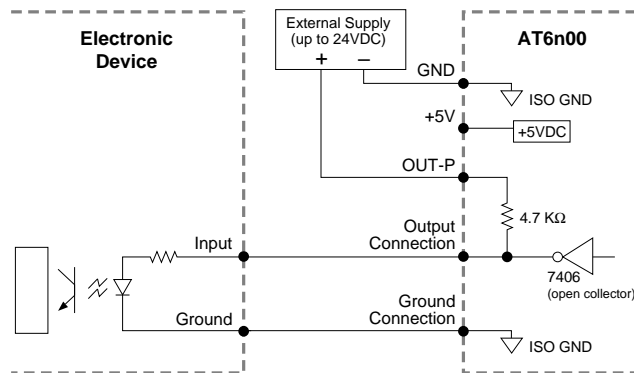
Thus, when the output is active, the `TIN` status command will report a "1" (indicates that the input is active), regardless of the type of output that is connected.

Details on setting the active level and checking the input status are provided in the *6000 Series Programmer's Guide*. Refer also to the `INLVL` and `TIN` command descriptions in the *6000 Series Software Reference Guide*.

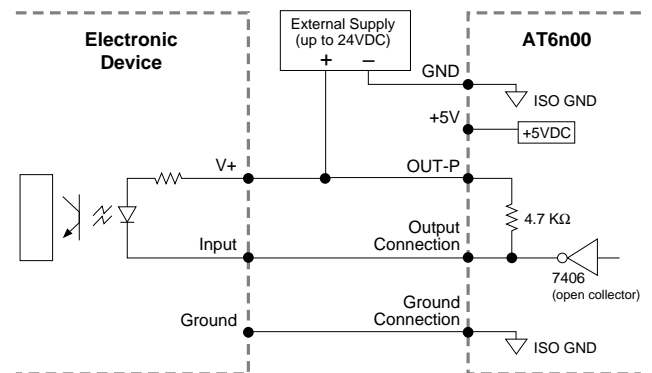
If you will be connecting to a combination of sourcing and sinking outputs, connect `IN-P` to `+5V` to accommodate sinking output devices. Then for each individual input connected to a sourcing output, wire an external resistor between the AT6n00's programmable input terminal and ground (see illustration). The resistor provides a path for current to flow from the device when the output is active.

## OUTPUT CONNECTIONS — for electronic devices such as PLCs

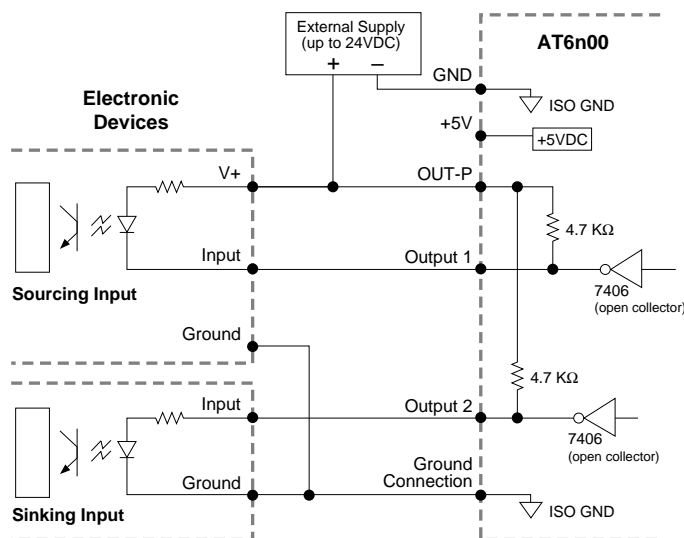
### Connection to a Sinking Input (active high)



### Connection to a Sourcing Input (active low)



### Connection to a Combination of Sinking & Sourcing Inputs



Combinations of sourcing and sinking inputs can be accommodated at the same voltage level. Be aware of the input impedance of the sourcing input module, and make sure that there is enough current flowing through the input module while in parallel with the OUT-P pull-up resistor.

#### PROGRAMMING TIP

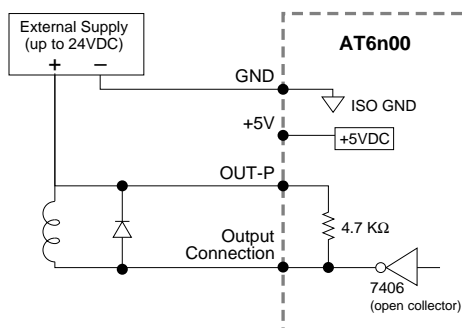
**Connecting to an active-high sinking input?** Set the output's active level to high with the `OUTLVL` command (1 = active high).

**Connecting to an active-low sourcing input?** Set the output's active level to low with the `OUTLVL` command (∅ = active low).

Thus, when the AT6n00's output is activated, current will flow through the attached input and the `TOUT` status command will report a "1" (indicates that the output is active), regardless of the type of input that is connected.

Details on setting the active level and checking the output status are provided in the *6000 Series Programmer's Guide*. Refer also to the `OUTLVL` and `TOUT` command descriptions in the *6000 Series Software Reference*.

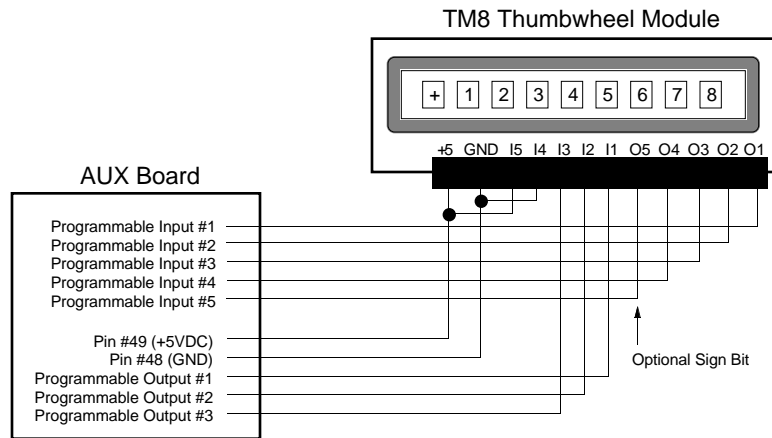
### Connection to an Inductive Load (active low)



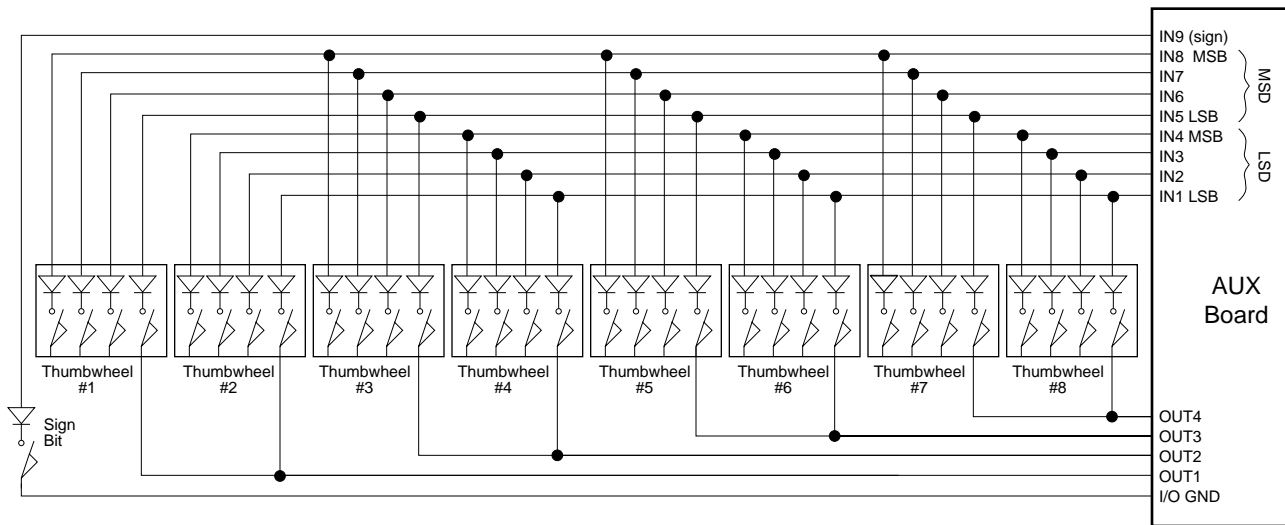
Use an external diode when driving inductive loads. Connect the diode in parallel to the inductive load, attaching the anode to the AT6n00 output and the cathode to the supply voltage of the inductive load.

# THUMBWHEEL CONNECTIONS — for entering BCD data

## Connection to the Compumotor TM8 Module



## Connection to your own Thumbwheel Module





# Input Power

**120VAC Input ( AT6200 & AT6400-120)**

**6-foot Power Cord**  
(part # 44-000054-01)  
provided in the ship kit

| Cable Lead Color | Signal       |
|------------------|--------------|
| Black            | AC Line      |
| White            | AC Neutral   |
| Green            | Earth Ground |

**Power Input Specification**  
 AT6200.....90-264VAC, 50/60Hz, 0.75A @ 240VAC, single-phase  
 AT6400-120.....90-132VAC, 50/60Hz, 1.5A @ 120VAC, single-phase

**240VAC Input (AT6400-240)**

1. Remove the cover on the EIA plug.
2. Strip your power cable as shown.
3. Slide the power cable into the plug.
4. Connect the conductor wires.
5. Lock the conductor wires under the clamp.
6. Reassemble the plug.

**Power Input Specification (AT6400-240)**  
 90-264VAC, 50/60Hz, 0.75A @ 240VAC, single-phase

**DC Input (AT6200 & AT6400-DC)**

**Power Input Specification**  
 +5VDC (±5%) @ 1.6A. This provides the power for all the +5V terminals on all I/O connectors.

**NOTE:** If you have an AC version of the AUX board, you may use this power supply method as an alternative to the VAC input connection illustrated above.

Note: This input power configuration will not ensure CE compliance. Refer to Appendix A for specific CE installation instructions. DC versions of the AT6n00 are not CE compliant.

## STATUS LEDs

**After applying power**, the status LED on the AT6n00 PC card will be off and the status LED on the AUX board should be red. If the LED on the AUX board is off, the AUX board does not have AC power.

**After downloading the operating system**, the status LEDs on the AUX board and the PC card will turn green indicating the system is ready for operation. If both status LEDs do not turn green after downloading the operating system, an error has occurred. The download program (AT6400) issues an error message if it cannot find the card or if the download operation is not successful (refer also to the troubleshooting information in Chapter 2).

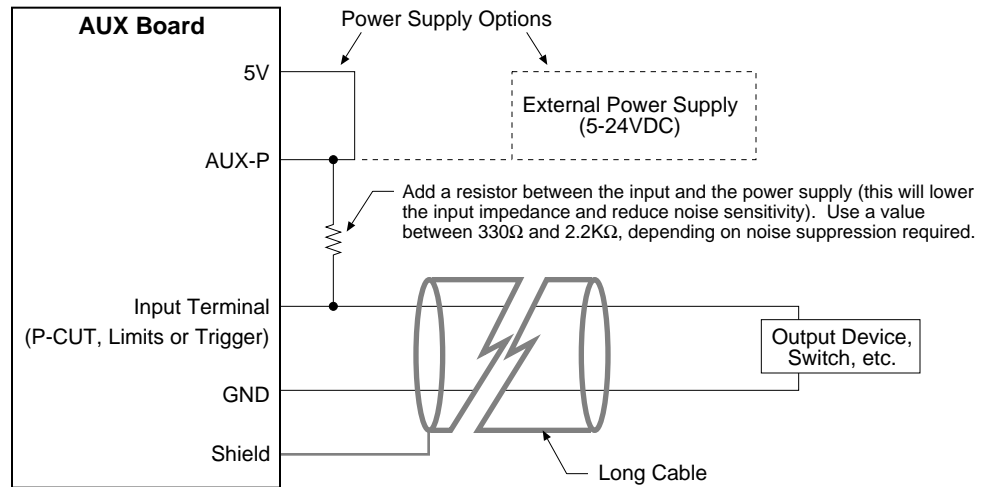
**Board Monitor Alarm (BMA):** Detects un-recoverable faults in hardware and software. When the BMA detects a fault, the status LED on AT6n00 PC card turns off. The BMA can be reset by cycling power to the PC-AT, or by re-downloading the AT6n00 operating system.

## Lengthening I/O Cables

Bear in mind that lengthening cables increases noise sensitivity. (The maximum length of cables is ultimately determined by the environment in which the equipment will be used.) If you lengthen the cables, follow the precautions below to minimize noise problems.

- Use a minimum wire size of 22 AWG.
- Use twisted pair shielded cables and connect the shield to a **SHLD** terminal on an AUX board connector. Leave the other end of the shield disconnected.
- Do not route I/O signals in the same conduit or wiring trays as high-voltage AC wiring.

**Reducing noise on limit, trigger, and P-CUT inputs.** If you are experiencing noise problems, try adding resistors to reduce noise sensitivity (see illustration below).



Note: This cable configuration will not ensure CE compliance. Refer to Appendix A for specific CE installation instructions. DC versions of the AT6n00 are not CE compliant.

## Installation Test *(DOS Support Software)*

---

The DOS Support Software diskette (supplied in the ship kit) contains a utility program to help verify proper system installation. The program is called `TEST.EXE`. To verify system installation, follow the steps below.



### WARNING



The test program allows you to control I/O and produce motion. Make sure that exercising the I/O will not adversely affect other components in your system. If you have coupled the load to the motor, make sure that the load can move without causing injury to equipment or personnel.

1. Apply power to the computer system, the AUX board, and the motor drives.
2. Install the DOS support software by placing the DOS Support Software Diskette in drive A and typing `a:\install`.
3. When prompted, identify the destination drive and directory. The default directory is `AT6400`. (Note that the default name of the directory is “AT6400”, regardless of whether you have an AT6400 or an AT6200.)
4. Change to the directory in which you installed the DOS Support Software. If you installed the support software in the default directory, type `cd \AT6400`.
5. Initiate the test program by typing `TEST`.
6. The program prompts you to identify the AUX board version you are using. Type “1” to select the AUX1 and press `ENTER`.
7. The program prompts you for the base port address of the AT6n00 PC card. If you have not changed the default DIP switch setting (default is 768 decimal), just press `ENTER`. If you changed the DIP switch (see page 4), type in the new address and press `ENTER`. The program displays this menu:

Parker Compumotor's Motion and I/O Test Program

1. Limits
2. Pulse Cutoff (P-CUT)
3. Programmable Inputs
4. Joystick Inputs
5. Programmable Outputs
6. Encoders
7. Motion
8. Terminal Emulation
9. Exit

8. Step through menu items 1 through 7, following the test procedures within each selection. To execute each menu item, type in the number of the desired selection (or use an arrow key to position the cursor on the selection) and press `ENTER`.  
**NOTE:** Values corresponding to axes 3 and 4 are not updated if you have the AT6200.
9. Select menu item #8 (Terminal Emulation). The program prompts you for the AT6n00 address—repeat step 6 above. Terminal Emulation places the computer in direct communication with the AT6n00 card. While in this mode, you can send 6000 Series commands directly to the AT6n00.  
As an example, type `TSTAT`. The computer then displays a screen full of AT6n00 status information. Press `Esc` to return to the main menu.
10. Type 9 and press `ENTER` to exit the test program.

## What's Next?

---

By now, you should have completed this chapter's configuration, mounting, connection, and test instructions. You should be ready to begin developing your motion control program based on the 6000 Series programming language.

Assuming you have already determined your system's motion control requirements and identified the AT6n00 software features that you will use in your application, refer to your *6000 Series Programmer's Guide* to learn how to implement these features. Be sure to keep the *6000 Software Reference* at hand as a reference for the 6000 Series command descriptions.

### Motion Architect

To assist you in your programming effort, we recommend using Motion Architect®, an intuitive Microsoft® Windows™ based programming tool. Motion Architect, included in your ship kit, provides these features:

- **System configurator and code generator:** Automatically generate controller code for basic system set-up parameters (I/O definitions, feedback device operations, etc.).
- **Program editor:** Create blocks or lines of 6000 controller code, or copy portions of code from previous files. You can save program editor files for later use in BASIC, C, etc., or in the terminal emulator or test panel.
- **Terminal emulator:** Communicating directly with the 6000 controller, the terminal emulator allows you to type in and execute controller code, transfer code files to and from the 6000 product. If you are using a bus-based 6000 controller, you can use this module to transfer (download) the soft operating system.
- **Test panel and program tester:** You can create your own test panel to run your programs and check the activity of I/O, motion, system status, etc. This can be invaluable during start-ups and when fine tuning machine performance.
- **On-line context-sensitive help and technical references:** These on-line resources provide help information about Motion Architect, as well as interactive access to the contents of the *6000 Series Software Reference Guide*.
- **Dynamic Link Library:** A DLL device driver is provided for bus-based controller customers who wish to create a Windows-based application to interface with the controller.

#### Other Software Tools Available

*(Contact your local Automation Technology Center (ATC) or distributor)*

- **Motion Builder™.** A Windows-based iconic programming interface that removes the requirement to learn the 6000 programming language.
- **CompuCAM™.** A CAD-to-Motion (CAM) program that allows you to easily translate DXF, HP-GL, and G-Code files into 6000 Series Language motion programs.
- **DDE6000™.** Facilitates data exchange between the AT6n00 and Windows™ applications that support the dynamic data exchange (DDE) protocol. NetDDE™ compatible.
- **Motion Toolbox™.** A library of LabVIEW® virtual instruments (VIs) for programming and monitoring the AT6n00.

### Technical Support

Troubleshooting instructions are provided in chapter 2 of this manual (for hardware-related problems) and in the *6000 Series Programmer's Guide* (for software-related problems). If you cannot find the answer in this documentation, contact your local Automation Technology Center (ATC) or distributor for assistance.

If you need to talk to our in-house application engineers, please contact us at the phone/FAX/BBS numbers listed on the inside cover of this manual. (The phone numbers are also provided when you issue the HELP command to the AT6n00.) **NOTE:** The BBS contains the latest software upgrades and late-breaking product documentation.

CHAPTER TWO

# Troubleshooting

## IN THIS CHAPTER

- Troubleshooting basics:
  - Reducing electrical noise
  - Diagnostic LEDs
  - Test program
  - Motion Architect Test Panel
  - Technical support
- Solutions to common problems
- Corrective actions in response to operating system download errors
- Product return procedure

# Troubleshooting Basics

When your system does not function properly (or as you expect it to operate), the first thing that you must do is identify and isolate the problem. When you have accomplished this, you can effectively begin to resolve the problem.

The first step is to isolate each system component and ensure that each component functions properly when it is run independently. You may have to dismantle your system and put it back together piece by piece to detect the problem. If you have additional units available, you may want to exchange them with existing components in your system to help identify the source of the problem.

Determine if the problem is mechanical, electrical, or software-related. Can you repeat or re-create the problem? Random events may appear to be related, but they are not necessarily contributing factors to your problem. You may be experiencing more than one problem. You must isolate and solve one problem at a time.

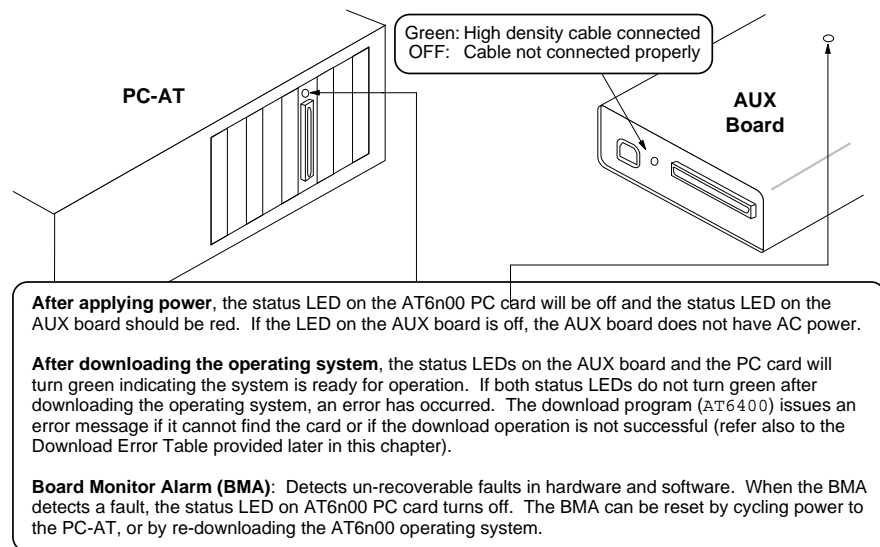
Log (document) all testing and problem isolation procedures. Also, if you are having difficulty isolating a problem, be sure to document all occurrences of the problem along with as much specific information as possible. You may need to review and consult these notes later. This will also prevent you from duplicating your testing efforts.

Once you isolate the problem, refer to the problem solutions contained in this chapter. If the problem persists, contact your local technical support resource (see *Technical Support* below).

## Reducing Electrical Noise

Refer to Appendix A for information on reducing electrical noise to the levels necessary for CE compliance.

## Diagnostic LEDs



## Test Program

A test program is available to test the functionality of many system components. Refer to page 21 for step-by-step test procedures.

### CAUTION

The TEST program will re-download the AT6n00 operating system, erasing all programs stored in the AT6n00. Therefore, prior to launching the TEST program, you should save a copy of your application program to an external disk.

# Motion Architect's Panel Module

As an alternative to the test program noted above, you can use the Panel Module in Motion Architect. The Panel Module allows you to set up displays for the purpose of testing various system I/O and operating parameters.

## Technical Support

If you cannot solve your system problems using this documentation, contact your local Automation Technology Center (ATC) or distributor for assistance. If you need to talk to our in-house application engineers, please contact us at the phone/FAX/BBS numbers listed on the inside cover of this manual. (The phone numbers are also provided when you issue the HELP command to the AT6n00.) **NOTE:** The BBS contains the latest software upgrades and late-breaking product documentation.

## Common Problems & Solutions

**NOTE**

Some software-related causes are provided because it is sometimes difficult to identify a problem as either hardware or software related.

| Problem                                       | Cause                                                                                                                                                                                                  | Solution                                                                                                                                                                                                                                                                                                                                                                                                                                                                                                                                                                                                                                                                                                                                                                                                                                                                                                                                                                                                                                                                                                                                                               |
|-----------------------------------------------|--------------------------------------------------------------------------------------------------------------------------------------------------------------------------------------------------------|------------------------------------------------------------------------------------------------------------------------------------------------------------------------------------------------------------------------------------------------------------------------------------------------------------------------------------------------------------------------------------------------------------------------------------------------------------------------------------------------------------------------------------------------------------------------------------------------------------------------------------------------------------------------------------------------------------------------------------------------------------------------------------------------------------------------------------------------------------------------------------------------------------------------------------------------------------------------------------------------------------------------------------------------------------------------------------------------------------------------------------------------------------------------|
| Communication errors.                         | <ol style="list-style-type: none"> <li>1. Communication program looking for card at wrong address.</li> <li>2. Address conflict.</li> <li>3. AT6n00 card not properly seated.</li> </ol>               | <ol style="list-style-type: none"> <li>1. Select correct address for communication program.</li> <li>2. See <i>Address Selection</i> section below.</li> <li>3. Seat board properly in slot. Apply pressure directly over area with gold card edge fingers.</li> </ol>                                                                                                                                                                                                                                                                                                                                                                                                                                                                                                                                                                                                                                                                                                                                                                                                                                                                                                 |
| Computer will not boot with AT6n00 installed. | <ol style="list-style-type: none"> <li>1. Interrupt conflict.</li> <li>2. See problem: <i>Communication Errors</i>.</li> </ol>                                                                         | <ol style="list-style-type: none"> <li>1.a. Turn interrupt DIP switches OFF.</li> <li>1.b. See <i>Interrupt Selection</i> section below.</li> </ol>                                                                                                                                                                                                                                                                                                                                                                                                                                                                                                                                                                                                                                                                                                                                                                                                                                                                                                                                                                                                                    |
| Direction is reversed.                        | <ol style="list-style-type: none"> <li>1. Direction connections on AUX board reversed.</li> <li>2. Phase of step motor reversed.</li> </ol>                                                            | <ol style="list-style-type: none"> <li>1. Switch DIR+ with DIR- connection to drive.</li> <li>2. Switch PHA+ with PHA- connection from drive to motor.</li> </ol>                                                                                                                                                                                                                                                                                                                                                                                                                                                                                                                                                                                                                                                                                                                                                                                                                                                                                                                                                                                                      |
| Distance is incorrect as programmed.          | <ol style="list-style-type: none"> <li>1. Incorrect resolution setting.</li> <li>2. Pulse width too narrow.</li> </ol>                                                                                 | <ol style="list-style-type: none"> <li>1.a. Set the resolution on the drive (usually set with DIP switches) to match the AT6n00's DRES command setting (default DRES setting is 25,000 steps/rev).</li> <li>1.b. Match the AT6n00's ERES command setting (default ERES setting is 4,000 counts/rev) to match the post-quadrature resolution of the encoder.               <p style="margin-left: 20px;">Resolution values for Compumotor encoders:</p> <ul style="list-style-type: none"> <li>E Series: 1000-line (4000 counts/rev post quad)</li> <li>OS motor with -HJ encoder (OSxxx-xxx-HJ): 512 lines</li> <li>OS motor with -RE encoder (OSxxx-xxx-RE): 1000 lines</li> <li>OS motor with -RC encoder (OSxxx-xxx-RC): 1000 lines</li> <li>RS motor with -EC encoder (RSxxx-xxx-EC): 1000 lines</li> <li>OEM Series motors (stepper):                   <ul style="list-style-type: none"> <li>83 size: 1000 lines (4000 counts/rev post quad)</li> <li>57 size: 512 lines (2048 counts/rev post quad)</li> </ul> </li> </ul> </li> <li>3. Set pulse width to drive specifications using the PULSE command. (default pulse width setting is 0.3 μsec).</li> </ol> |
| Encoder counts missing.                       | <ol style="list-style-type: none"> <li>1. Improper wiring.</li> <li>2. Encoder slipping.</li> <li>3. Encoder too hot.</li> <li>4. Electrical noise.</li> <li>5. Encoder frequency too high.</li> </ol> | <ol style="list-style-type: none"> <li>1. Check wiring.</li> <li>2. Check and tighten encoder coupling.</li> <li>3. Reduce encoder temperature with heatsink, thermal insulator, etc.</li> <li>4a. Shield wiring.</li> <li>4b. Use encoder with differential outputs.</li> <li>5. Peak encoder frequency must be below 1.6MHz post-quadrature. Peak frequency must account for velocity ripple.</li> </ol>                                                                                                                                                                                                                                                                                                                                                                                                                                                                                                                                                                                                                                                                                                                                                             |
| Erratic operation.                            | <ol style="list-style-type: none"> <li>1. Electrical Noise.</li> <li>2. Improper shielding.</li> <li>3. Improper wiring.</li> </ol>                                                                    | <ol style="list-style-type: none"> <li>1. Reduce electrical noise or move AT6n00 away from noise source.</li> <li>2. Refer to the Electrical Noise portion of the Technical Reference section in the Compumotor/Digiplan catalog and Appendix A.</li> <li>3. Check wiring for opens, shorts, &amp; mis-wired connections.</li> </ol>                                                                                                                                                                                                                                                                                                                                                                                                                                                                                                                                                                                                                                                                                                                                                                                                                                   |

## Common Problems and Solutions (continued)

| Problem                                                                   | Cause                                                                                                                                                                                                                                                                                                                                                       | Solution                                                                                                                                                                                                                                                                                                                                                                                                                                                                                                                                                                                                                                                                                      |
|---------------------------------------------------------------------------|-------------------------------------------------------------------------------------------------------------------------------------------------------------------------------------------------------------------------------------------------------------------------------------------------------------------------------------------------------------|-----------------------------------------------------------------------------------------------------------------------------------------------------------------------------------------------------------------------------------------------------------------------------------------------------------------------------------------------------------------------------------------------------------------------------------------------------------------------------------------------------------------------------------------------------------------------------------------------------------------------------------------------------------------------------------------------|
| Joystick mode: Motor does not move.                                       | <ol style="list-style-type: none"> <li>Joystick Release input not grounded.</li> <li>Improper wiring.</li> </ol>                                                                                                                                                                                                                                            | <ol style="list-style-type: none"> <li>Ground Joystick Release input.</li> <li>Check wiring for opens, shorts, and mis-wired connections.</li> </ol>                                                                                                                                                                                                                                                                                                                                                                                                                                                                                                                                          |
| LEDs: LED next to the PC-to-AUX cable connector on the AUX board is off.  | <ol style="list-style-type: none"> <li>PC-to-AUX cable is not connected.</li> </ol>                                                                                                                                                                                                                                                                         | <ol style="list-style-type: none"> <li>Make sure the cable is securely connected at both ends.</li> </ol>                                                                                                                                                                                                                                                                                                                                                                                                                                                                                                                                                                                     |
| LEDs: LED on AT6n00 PC card is off.                                       | <ol style="list-style-type: none"> <li>No power.</li> <li>Operating system not downloaded.</li> </ol>                                                                                                                                                                                                                                                       | <ol style="list-style-type: none"> <li>Check PC-AT power and check proper card installation in bus slot.</li> <li>Download operating system.</li> </ol>                                                                                                                                                                                                                                                                                                                                                                                                                                                                                                                                       |
| LEDs: LED on AT6n00 PC card is red.                                       | <ol style="list-style-type: none"> <li>Internal Board Monitor Alarm (BMA) has detected a non-recoverable fault.</li> </ol>                                                                                                                                                                                                                                  | <ol style="list-style-type: none"> <li>Recycle power to the AT6n00.</li> <li>Ensure +5V is not shorted to GND on the I/O connections.</li> </ol>                                                                                                                                                                                                                                                                                                                                                                                                                                                                                                                                              |
| LEDs: STATUS LED on AUX board is red.                                     | <ol style="list-style-type: none"> <li>Operating system not downloaded.</li> </ol>                                                                                                                                                                                                                                                                          | <ol style="list-style-type: none"> <li>Download operating system.</li> </ol>                                                                                                                                                                                                                                                                                                                                                                                                                                                                                                                                                                                                                  |
| LEDs: STATUS LED on AUX board off.                                        | <ol style="list-style-type: none"> <li>Computer not on.</li> <li>AUX cable not connected.</li> <li>No AC power to AUX board.</li> </ol>                                                                                                                                                                                                                     | <ol style="list-style-type: none"> <li>Computer must be on since the AUX board turns on and off automatically with the computer.</li> <li>Make sure both ends of cable connectors are securely latched.</li> <li>Check AC power to AUX board.</li> </ol>                                                                                                                                                                                                                                                                                                                                                                                                                                      |
| Motion does not occur.                                                    | <ol style="list-style-type: none"> <li>STATUS LED on AUX board off or red.</li> <li>End-of-travel limits are active.</li> <li>Step pulse too narrow for drive to recognize.</li> <li>Drive fault level incorrect.</li> <li>Improper wiring.</li> <li>P-CUT (Pulse cut-off) not grounded.</li> <li>Load is jammed.</li> <li>No torque from motor.</li> </ol> | <ol style="list-style-type: none"> <li>See LED troubleshooting as noted above.</li> <li> <ol style="list-style-type: none"> <li>Move load off of limits or disable limits with the <code>LH0, 0, 0, 0</code> command.</li> <li>Set <code>LSPOS</code> to a value greater than <code>LSNEG</code>.</li> </ol> </li> <li>Set pulse width to drive specifications using the <code>PULSE</code> command.</li> <li>Set drive fault level using the <code>DRFLVL</code> command.</li> <li>Check step, direction, drive fault, &amp; limit connections.</li> <li>Ground P-CUT connection on AUX board.</li> <li>Remove power and clear jam.</li> <li>See problem: <i>Torque, loss of.</i></li> </ol> |
| Motor creeps at slow velocity in encoder mode.                            | <ol style="list-style-type: none"> <li>Encoder direction opposite of motor direction.</li> <li>Encoder connected to wrong axis.</li> </ol>                                                                                                                                                                                                                  | <ol style="list-style-type: none"> <li>Switch encoder connections A+ &amp; A- with B+ &amp; B-.</li> <li>Switch DIR+ with DIR- connection to drive.</li> </ol> <ol style="list-style-type: none"> <li>Check encoder wiring.</li> </ol>                                                                                                                                                                                                                                                                                                                                                                                                                                                        |
| Mouse stops working or serial ports affected (after AT6n00 is installed). | <ol style="list-style-type: none"> <li>Interrupt conflict.</li> <li>Address conflict.</li> </ol>                                                                                                                                                                                                                                                            | <ol style="list-style-type: none"> <li>See <i>Interrupt Selection</i> section below.</li> <li>See <i>Address Selection</i> section below.</li> </ol>                                                                                                                                                                                                                                                                                                                                                                                                                                                                                                                                          |
| Operating system will not download, or download stops part way through.   | <ol style="list-style-type: none"> <li>Address conflict.</li> <li>Download error.</li> </ol>                                                                                                                                                                                                                                                                | <ol style="list-style-type: none"> <li>See <i>Address Selection</i> section below.</li> <li>See <i>Downloading Errors</i> table below.</li> </ol>                                                                                                                                                                                                                                                                                                                                                                                                                                                                                                                                             |
| Programmable inputs not working.                                          | <ol style="list-style-type: none"> <li>IN-P (input pull-up) on AUX board not connected to a power supply.</li> <li>If external power supply is used, the grounds must be connected together.</li> <li>Improper wiring.</li> </ol>                                                                                                                           | <ol style="list-style-type: none"> <li>When inputs will be pulled down to 0V by an external device, connect IN-P to +5V supplied or other positive supply.</li> <li>When inputs will be pulled to 5V or higher by an external device, connect IN-P to 0V.</li> </ol> <ol style="list-style-type: none"> <li>Connect external power supply's ground to AT6n00's ground (GND).</li> <li>Check wiring for opens, shorts, and mis-wired connections.</li> </ol>                                                                                                                                                                                                                                   |
| Programmable outputs not working.                                         | <ol style="list-style-type: none"> <li>Output connected such that it must source current (pull to positive voltage).</li> <li>OUT-P (output-pull-up) on AUX board not connected to a voltage source.</li> <li>If external power supply is used, the grounds must be connected together.</li> <li>Improper wiring.</li> </ol>                                | <ol style="list-style-type: none"> <li>Outputs are open-collector and can only sink current -- change wiring.</li> <li>Connect OUT-P to the +5V supply on the AUX board or to an external supply of up to 24V.</li> <li>Connect the external power supply's ground to the AT6n00's ground (GND).</li> <li>Check wiring for opens, shorts, and mis-wired connections.</li> </ol>                                                                                                                                                                                                                                                                                                               |
| Torque, loss of.                                                          | <ol style="list-style-type: none"> <li>Improper wiring.</li> <li>No power to drive.</li> <li>Drive failed.</li> <li>Drive faulted.</li> <li>Drive shutdown.</li> </ol>                                                                                                                                                                                      | <ol style="list-style-type: none"> <li>Check wiring to the drive, as well as other system wiring.</li> <li>Check power to drive.</li> <li>Check drive status.</li> <li>Check drive status.</li> <li>Enable drive with the <code>DRIVE1111</code> command.</li> </ol>                                                                                                                                                                                                                                                                                                                                                                                                                          |
| Trigger inputs not working.                                               | <ol style="list-style-type: none"> <li>If external power supply is used, the grounds must be connected together.</li> <li>Improper wiring.</li> </ol>                                                                                                                                                                                                       | <ol style="list-style-type: none"> <li>Connect external power supply's ground to AT6n00's ground (GND).</li> <li> <ol style="list-style-type: none"> <li>Check wiring for opens, shorts, and mis-wired connections.</li> <li>When inputs will be pulled down to 0V by an external device, connect AUX-P to +5V supplied or other positive supply.</li> <li>When inputs will be pulled to 5V or higher by an external device, connect AUX-P to 0V.</li> </ol> </li> </ol>                                                                                                                                                                                                                      |
| Velocity & acceleration is incorrect as programmed.                       | See <i>Distance</i> problem noted above.                                                                                                                                                                                                                                                                                                                    |                                                                                                                                                                                                                                                                                                                                                                                                                                                                                                                                                                                                                                                                                               |



## Interrupt & Address Selection

### CAUTION

Refer to your PC-AT's documentation to avoid interrupt and address conflicts, and the resulting possibility of system damage.

If you are using Motion Architect and you change these settings, be sure to configure the same address and interrupt settings in Motion Architect's Terminal or Panel modules.

**Interrupts** The AT6n00 is factory configured with no interrupts selected. The AT6n00 does not need interrupts to function properly. If you want to use interrupts, select an interrupt in your system that is not already used in the system (refer to instructions on page 4).

Interrupts that are unassigned on the AT bus are IRQ10, 11,12, and 15. If serial port COM1 is not used, IRQ4 may be available. If serial port COM2 is not used, IRQ3 may be available. IRQ5 and 7 are defined for parallel printer ports and one or both of these may be available if your system has one or no parallel printer ports.

**Address** The AT6n00 is factory-set to address 300H. If another card in your system uses address 300H (default setting), select a different address (refer to instructions on page 4).

If you are unsure which addresses are used, the following address are likely to be available: 308H, 310H, 318H, 380H, 388H, 3A0H, or 3A8H.

### Downloading Errors (downloading the operating system)

| Error | Description                           | Reason/Corrective Action                                                                                                                                                                                                                                                    |
|-------|---------------------------------------|-----------------------------------------------------------------------------------------------------------------------------------------------------------------------------------------------------------------------------------------------------------------------------|
| 1     | Operating System File Not Found       | The operating system specified, or the default operating system (if unspecified) could not be found by the AT6400 .EXE loader program. Put the AT6400 .OPS file in the same directory as the AT6400 .EXE file.                                                              |
| 2     | Invalid Operating System File         | The operating system specified, or the default operating system (if unspecified) is not a valid operating system or is corrupted. Re-install the operating system from the original disk.                                                                                   |
| 3     | Unexpected EOF                        | An EOF character was received during the download. Re-install the operating system from the original disk.                                                                                                                                                                  |
| 4     | Invalid Port Address                  | The port address specified while downloading is invalid. Use another address setting (768 ≤ port ≤ 1024 in increments of 8).                                                                                                                                                |
| 5     | Unknown Option                        | An unknown option was specified on the AT6400 .EXE command line.                                                                                                                                                                                                            |
| 6     | Base Port Address Greater than 1024   | The base port address is too high. Specify an address between 768 and 1024 decimal with the /PORT= parameter.                                                                                                                                                               |
| 7     | Base Port Address Less than 255       | The base port address is too low. Specify an address between 768 and 1024 decimal with the /PORT= parameter.                                                                                                                                                                |
| 8     | Base Port Address Not a Multiple of 8 | The base port address is not a multiple of 8. Specify a valid address with the /PORT= parameter.                                                                                                                                                                            |
| 9     | Modified Download Requested           | A partial download was requested on the command line.                                                                                                                                                                                                                       |
| 10    | Card Controller Error                 | The card controller did not respond as expected. Verify that you are downloading to the correct address. Make sure there are no other peripheral cards (network adapters, bus mouse, etc.) at the same address. Try changing the card address.                              |
| 11    | Card Not found                        | The card did not respond as expected. Verify that you are downloading to the correct address. Make sure there are no other peripheral cards (network adapters, bus mouse, etc.) at the same address. Try changing the card address.                                         |
| 12    | Reading Card Rev                      | The card appeared to be working as expected until the revision was requested. Verify that you are downloading to the correct address. Make sure there are no other peripheral cards (network adapters, bus mouse, etc.) at the same address. Try changing the card address. |
| 13    | Waiting for Data Ready                | The card did not respond when expected. Verify that you are downloading to the correct address. Make sure there are no other peripheral cards (network adapters, bus mouse, etc.) at the same address. Try changing the card address.                                       |
| 14    | Purging Data Out Buffer               | The card output buffer could not be emptied. Verify that you are downloading to the correct address. Make sure there are no other peripheral cards (network adapters, bus mouse, etc.) at the same address. Try changing the card address.                                  |
| 15    | Waiting for Data Input Buffer Empty   | The card did not respond to the data sent to it. Verify that you are downloading to the correct address. Make sure there are no other peripheral cards (network adapters, bus mouse, etc.) at the same address. Try changing the card address.                              |

## Downloading Errors (continued)

| Error | Description                                              | Reason/Corrective Action                                                                                                                                                                                                                                                                                                                                                                                                                                                                                                              |
|-------|----------------------------------------------------------|---------------------------------------------------------------------------------------------------------------------------------------------------------------------------------------------------------------------------------------------------------------------------------------------------------------------------------------------------------------------------------------------------------------------------------------------------------------------------------------------------------------------------------------|
| 16    | Time-out Waiting for Processor Startup                   | The card did not respond as expected. The green LED on the back of the PC-card should be on for this error to occur. Verify that you are downloading to the correct address. Make sure there are no other peripheral cards (network adapters, bus mouse, etc.) at the same address. Try changing the card address. Use a fresh copy of the operating system from the disk that was shipped with the card. If the green LED on the back of the card flashes briefly during download of the operating system, the card may need repair. |
| 17    | CRC Error                                                | The CRC value calculated during download is not the same as stored with the operating system. Either the file is corrupted on disk, or was corrupted during download. Try a fresh copy of the operating system. If your computer has a Turbo switch, switch it to low speed because some computers violate ISA bus timing specifications at high speed.                                                                                                                                                                               |
| 18    | Operating System Rev not Compatible with Loader Rev      | The operating system being downloaded is not compatible with the AT6400 .EXE file (downloader) being used. Use the same downloader on the diskette with the operating system.                                                                                                                                                                                                                                                                                                                                                         |
| 19    | Incompatible Card ROM rev                                | The card ROMS and the AT6400 .EXE file (downloader) are incompatible. If you are using a new downloader, obtain a new set of ROMS from the factory.                                                                                                                                                                                                                                                                                                                                                                                   |
| 20    | Card Read Error (bad compare)                            | The downloader is unable to communicate reliably with the card. Try switching to 8-bit mode on the card, switching out of Turbo mode on your PC, or a different address.                                                                                                                                                                                                                                                                                                                                                              |
| 21    | Card Read Error (outbuf)                                 | The downloader is unable to empty the output buffer. There may be an address conflict with another board. Try a different address.                                                                                                                                                                                                                                                                                                                                                                                                    |
| 22    | Card ROMS - Command Line Parameter Passing Not Supported | The card ROMS are an old revision that do not support command line arguments. Obtain a ROM update from the factory.                                                                                                                                                                                                                                                                                                                                                                                                                   |
| 23    | Card ROMS - Unsupported Option Requested                 | The card ROMS do not support the option specified on the command line. Obtain a ROM update from the factory.                                                                                                                                                                                                                                                                                                                                                                                                                          |
| 24    | NULL Error                                               |                                                                                                                                                                                                                                                                                                                                                                                                                                                                                                                                       |

## Product Return Procedure

- Step 1 Obtain the serial number and the model number of the defective unit, and secure a purchase order number to cover repair costs in the event the unit is determined by the manufacturers to be out of warranty.
- Step 2 Before you return the unit, have someone from your organization with a technical understanding of the AT6n00 system and its application include answers to the following questions:
- What is the extent of the failure/reason for return?
  - How long did it operate?
  - Did any other items fail at the same time?
  - What was happening when the unit failed (e.g., installing the unit, cycling power, etc.)?
  - How was the product configured (in detail)?
  - What, if any, cables were modified and how?
  - With what equipment is the unit interfaced?
  - What was the application?
  - What was the system environment (temperature, enclosure, spacing, contaminants, etc.)?
  - What upgrades, if any, are required (hardware, software, user guide)?
- Step 3 Call for return authorization. Refer to the Technical Assistance phone numbers provided on the inside front cover of this document. The support personnel will also provide product shipping guidelines.

# Appendix A

## CE Installation Instructions

### General Product Philosophy

The AT6n00 has been demonstrated to conform to the EMC, LVD, and Marking directives necessary for CE compliance when it is installed per the instructions in this appendix. This CE compliance is valid for Serial Numbers 971101xxxx and greater (and for Serial Numbers prior to this if the CE sticker is present on the unit).

It is important to remember that for specific installations, the full protection requirements of the EMC Directive 89/336/EEC need to be met before the system is put into service. This must be verified either by inspection or by testing of the system. The following installation instructions are intended to assist in ensuring that the requirements of the EMC directive are met. It may be necessary to take additional measures in certain circumstances and at specific locations.

These instructions are based on expertise acquired during tests carried out on the AT6n00. It has been shown that when installed per these instructions, this product can be made to comply with relevant CE standards. It is important to follow *all* the installation instructions if an adequate level of compliance is to be achieved. In some installations, additional measures may be required.

For more information about the Low Voltage Directive (LVD), see 73/23/EEC and 93/68/EEC, published by the European Economic Community (EEC).

Note: The AT6200-AUX1-DC and AT6400-AUX1-DC versions of the AT6n00 have not been demonstrated to be CE compliant. Following these installation instructions may improve performance, but does not ensure CE compliance for the AT6200-AUX1-DC and AT6400-AUX1-DC.

### Safety Considerations

The AT6n00 is intended for installation according to the appropriate safety procedures including those laid down by the local supply authority regulations. The recommendations provided are based on the requirements of the Low Voltage Directive (LVD) and specifically on EN61010-1. It should be remembered that safety must never be compromised for the purpose of achieving EMC compliance. Therefore in the event of a conflict occurring between the safety regulations and the following recommendations, *the safety regulations always take precedence.*

### Environmental Conditions

**Pollution Degree:** The AT6n00 is designed for pollution degree 2 of the LVD.

**Installation Category:** The AT6n00 is designed for installation category II of the LVD.

**Electromagnetic Emission:** EN55011, Group 1, Class A

**Susceptibility:** EN50082-2

### Required Hardware

The AT6n00 requires three specific types of hardware to meet CE criteria: ferrite absorbers, P-clips, and a clam-shell clamp. The clam-shell clamp and two ferrite absorbers are included in the AT6n00 ship kit.

#### **Ferrite Absorber Specifications**

The absorbers described in these installation instructions are made from a low-grade ferrite material which has high losses at radio frequencies. They therefore act like a high impedance in this waveband, dissipating unwanted high frequency energy that could be conducted or radiated into, or out of, the system.

The recommended components are produced by Parker Chomerics (617-935-4850) and are suitable for use with cable having an outside diameter up to 13mm. The specification is as follows:

|                     |                 |
|---------------------|-----------------|
| Chomerics part #    | 83-10-A637-1000 |
| Outside diameter    | 28.5mm          |
| Inside diameter     | 13.77mm         |
| Length              | 28.57mm         |
| Impedance at 25MHz  | 135Ω            |
| Impedance at 100MHz | 210Ω            |
| Curie temperature   | 130°C           |

*(the device should not be operated near this temperature)*

## Handling & Installing Ferrite Absorbers

Take care when handling the absorbers—they can shatter if dropped on a hard surface. For this reason the suggested method of installation is to use a short length of 30mm diameter heat-shrink sleeving (see Figure 1). This gives a degree of physical protection while the cable is being installed. The sleeving should have a shrink ratio of at least 2.5:1. Cable ties may be used as an alternative, however they give no physical protection to the absorber.

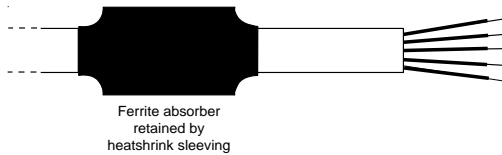


Figure 1a. Ferrite Sleeve

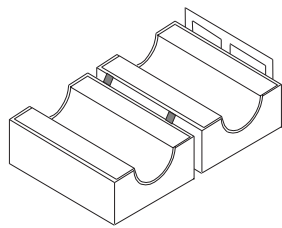


Figure 1b. Snap-on Ferrite

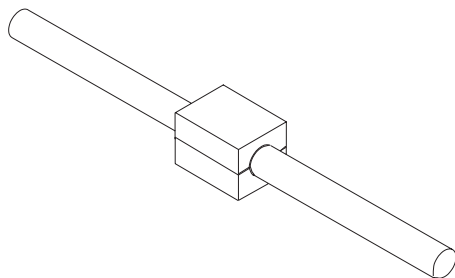


Figure 1c. Snap-on Ferrite Installation

## P-Clip Installation Details

The function of the P-clip is to provide a 360-degree metallic contact and thus a convenient means of ensuring a proper R.F. ground. When dealing with EMI issues, it is important to remember that continuity, a DC connection, does not at all speak to the integrity of an AC (high-frequency) connection. High-Frequency bonding typically involves wide, flat cabling to establish a suitable system ground. When applied properly, the P-clip has been shown to give a reliable high-frequency contact.

When installing a P-clip (see Figure 2), install as close to the cable end as possible, provided a suitable ground, backplane, earth stud or bus bar is accessible, (this may mean removing the paint from a cabinet or panel). Remove only the outer (vinyl) jacket of the braided screen cable (this allows the braid to continue to the cable connector), be careful not to damage the braid. Snap the P-clip over the exposed braid, and adjust for a tight fit. Secure the clip to the designated ground with a machine

screw and lock washer. The use of brass or other inert conductive metal P-clip is recommended. Cover any exposed bare metal with petroleum jelly to resist corrosion.

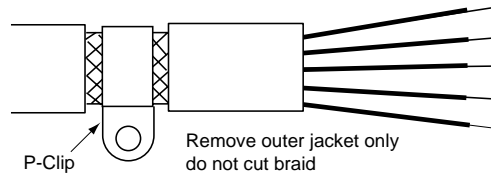


Figure 2. P-Clip Installation

## Clam-shell clamp

The function of the clam-shell clamp is to bond, both physically and electrically, the high-density cable to the system cabinet, which in turn must be reliably bonded to Earth.

## Clam-shell clamp Installation Details

1. Cut a hole in the front panel of the system cabinet through which to pass the high density cable. See Fig. 3 for cut-out dimensions.
2. Remove the paint from around the panel cut-out to ensure a good Earth connection.
3. Pass the mating connector of the high-density cable through the panel cut-out. Position the connector in the approximate place where the Auxiliary Box will be mounted. (If the Auxiliary Box is already mounted in the enclosure, connect the high density cable to the connector on the top of the box.)
4. Remove approximately 1/4 inch of the outer jacket of the high-density cable at the point where the cable passes through the panel cut-out. Remove only the outer (vinyl) jacket of the braided screen cable (this allows the braid to continue to the cable connector). Use a razor blade or utility knife, taking care to not cut the braid.
5. Position the two clam-shell clamp pieces around the exposed braid of the high density cable, as shown in Fig. 4a. Fit the center slots of the clamp pieces around the cable, with the clamp pieces overlapping each other, as shown in Fig. 4b. The clamp pieces must make contact with the exposed braid of the high density cable to ensure a good electrical connection.
6. Secure the clam-shell clamp and cable to the enclosure using #10 nuts and bolts.
7. In harsh environments, it may be necessary to cover any exposed bare metal with petroleum jelly to resist corrosion.

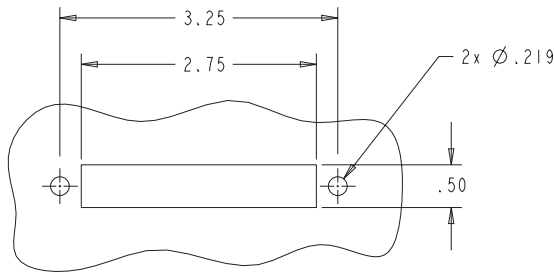


Figure 3. Panel cut-out dimensions for high density cable.

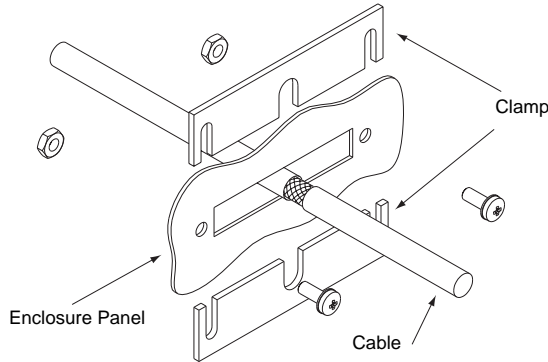


Figure 4a: Installation of clam-shell clamp

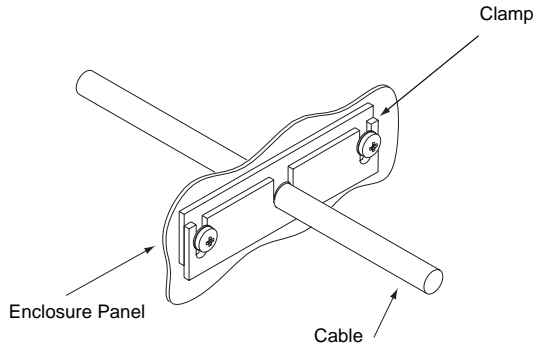


Figure 4b. Completed installation of clam-shell clamp

## Electrical

### Connecting & Disconnecting Power Mains

The earth connection for the Auxiliary Box of the AT6n00 is provided through its make-first/break-last earth terminal on the power mains connector. You must reliably earth the Auxiliary Box' protective earth connection.

### Using an Isolation Transformer

The mains voltage for the Auxiliary Box is limited to 120 VAC nominal for the AT6400-120, and 240 VAC for the AT6400-240 and AT6200. If your mains voltage is higher, use an isolation transformer located between the power mains and the Auxiliary Box. Your isolation transformer should be insulated to ~2300V rms.

Do not interrupt the protective earth conductor between the source mains and the isolation transformer's secondary. The core of the isolation transformer and the drive's protective conductor terminal must *both* be connected to the mains protective earth conductor.

**CAUTION** — For safety reasons, do not use an autotransformer.

### Adding Line Fuses

Line fuses need to be added to protect the transformer and associated wiring. If the live wire cannot be readily identified, fuse both phase conductors. The value of fuse required is given by:  $(1.5 \times VA) / (\text{supply volts})$  [amps]

Fuse types should be anti-surge HBC.

**WARNING** — Safety Ground (Earth Ground) should **never** be fused.

## Installation

### Installing the AT6n00 Card

Install the AT6n00 card itself into your computer per the instructions on page 5 of this Installation Guide. In order for the AT6n00 card to be CE compliant, it must be mounted in a CE-compliant computer. The AT6n00 will not compromise the EMC integrity of the host computer or its peripherals.

### Installing the Auxiliary Box in an External Enclosure

#### Introduction

The measures described in this section are primarily for the purpose of controlling conducted emissions. To control radiated emissions, all peripheral equipment for the AT6n00 control system must be installed in a steel equipment cabinet which will give adequate screening against radiated emissions. This external enclosure is also required for safety reasons. There must be no user access while the equipment is operating. This is usually achieved by fitting an isolator switch to the door assembly.

To achieve adequate screening of radiated emissions, all panels of the enclosure must be bonded to a central earth point. The enclosure may also contain other equipment and the EMC requirements of these must be considered during installation. Always ensure that components are mounted in such a way that there is adequate ventilation.

Preparing the Auxiliary Box: The Auxiliary Box for the AT6n00 must be mounted to a conductive panel of the enclosure. The Auxiliary Box is shipped with no paint affixed to its mounting surfaces. Before mounting the Auxiliary Box, remove the paint from the mounting surface of the enclosure. This is to guarantee a good high-frequency connection between the Auxiliary Box case and the enclosure.

1. Mount the Auxiliary Box to the surface of the enclosure. Cover any exposed bare metal with petroleum jelly to resist corrosion.
2. Connect the high-density cable to the AT6n00 and to the mating connector at the top of the Auxiliary Box. Prepare the panel cut-out per the instructions in the Required Hardware section.
3. Install the clam-shell clamp per the instructions in the Required Hardware section.
4. Install a snap-on ferrite absorber on the high-density cable within 2 inches (50 mm) of the connection to the AT6n00 card.
5. Install a snap-on ferrite absorber on the high-density cable within 2 inches (50 mm) of the clam-shell clamp, outside of the enclosure.

## Filtering the AC Supply

### Introduction

*These instructions are based on the use of proprietary screen filter units which are readily available. However, the full EMC test includes a simulated lightning strike which will damage the filter unless adequate surge suppression devices are fitted. These are not normally incorporated into commercial filters since the lightning strike test can be destructive. This test is normally carried out on the overall system and not on individual components; therefore, the surge protection should be provided at the system boundary.*

A filter must be installed between the incoming AC supply and the input to the Auxiliary Box. The manufacturer's part numbers for suitable filters are:

|                           |                             |
|---------------------------|-----------------------------|
| <b>Corcom 3EB1</b>        | <b>Schaffner FN610-3/06</b> |
| Corcom World Headquarters | Schaffner EMC Inc.          |
| Phone: 847-680-7400       | Phone: 201-379-7778         |
| Fax: 847-680-8169         | Fax: 201-379-1151           |

Mount the filter within 2 inches (50mm) of the Auxiliary Box of the AT6n00, as shown in Figure 5 below. Ensure that there is no paint on the mounting panel under the filter mounting lugs—it is vital that there is good large-area contact between the filter and the panel.

Connect the incoming AC supply cable to the push-on terminals on the filter, with the earth lead connected to a local earth stud, bus bar or metal back-plane. Route the supply cable so that it runs close to the walls of the enclosure. Connect the earth terminal on the filter case to the earth stud.

Take the earth connection for the Auxiliary Box of the AT6n00 from the same stud that retains the filter case earth, as shown in Figure 5 below.

### Control Signal Connections

High-quality braided screen cable should be used for control connections. In the case of the AT6n00, which has differential step-direction inputs, it is preferable to use a cable with twisted pairs to minimize magnetic coupling.

No connection is made to the cable screen at the Auxiliary Box itself. Fit a ferrite absorber close to the I/O connector and run the cable down to the mounting panel as shown in Figure 5. Expose a short length of the braided screen and anchor to the panel with a P-clip.

The level at which the I/O operates means that the signals are unlikely to meet EMC immunity requirements if taken outside the enclosure without proper screening.

**50-Pin Ribbon Cable:** It is recommended when using the 50-Pin Ribbon Cable I/O found on the Auxiliary Box of the AT6n00 that a terminal break out box such as the VM50 be used (see Figure 5). Mount the VM50 close to the Auxiliary Box, keeping the ribbon cable as short as possible. Bundle any excess ribbon cable and secure close to a panel wall. Individual I/O points will require the use of individually shielded cable runs, with braids bonded to the panel (close to VM50) with a P-clip.

**Remember** to route control signal connections well away (at least 8 inches) from relays and contactors. Control wiring should not be laid parallel to power or motor cables and should only cross the path of these cables at right angles. Bear in mind that control cables connected to other equipment within the enclosure may interfere with the controller, particularly if they have come from outside the cabinet. Take particular care when connecting external equipment with the cabinet door open, for instance a computer or terminal; static discharge may cause damage to unprotected inputs.

### Feedback Cables

Feedback devices such as encoders also require the use of high-quality braided screen cable. If it is necessary to replace the standard feedback cable, select a braided screen cable that matches the gage of the devices original cable and attach as close to the transducer as possible. Avoid complex and bulky connections that can cause degradation in feedback signal quality. If possible, use in-line cable splicing techniques, and cover the splice point with heat-shrink tubing. Remove a section of the braided shield cable's insulation to expose the braid, and tie the braid to earth using the same P-clip 360° bond as shown in Figure 2. Differential signals should use twisted pair cable to minimize magnetic coupling. At the receiving end, fit a ferrite absorber over the feedback cable before wiring the connector, then P-clip the braid to a suitable ground (metal back-plane of drive mounting panel, or earth point of device that receives the feedback)—see Figure 5.

## Servicing the AT6n00

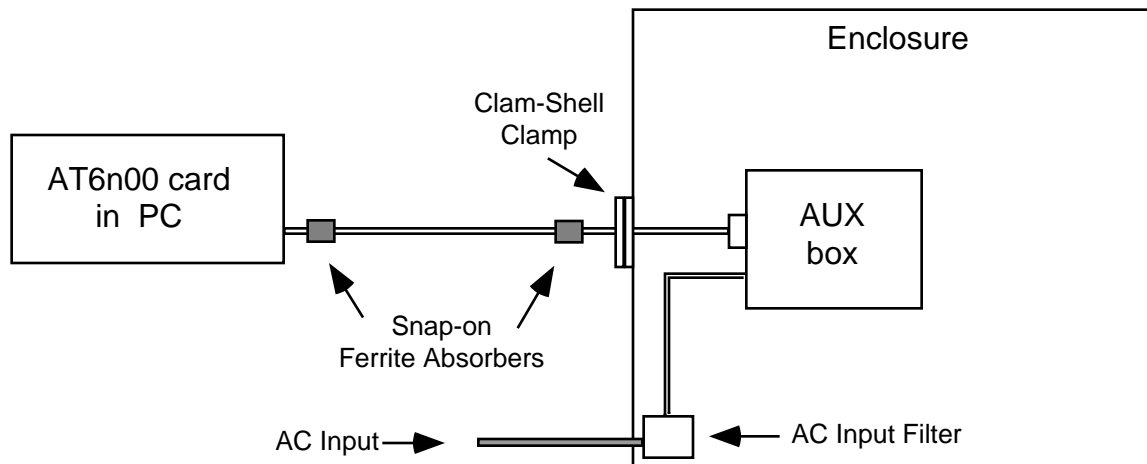
**Changing Firmware:** Only skilled or trained personnel should change firmware.

**Do Not Replace Fuses:** The AT6n00 has no fuses designed to be replaced by the user. Fuse failure indicates that other components have also failed. Fuses and other components should only be replaced by Compumotor or its designated repair facilities.

## Table of Graphic Symbols & Warnings

The following symbols may appear in this manual, and may be affixed to the products discussed in this manual.

| Symbol | Description                         |
|--------|-------------------------------------|
|        | Earth Terminal                      |
|        | Protective Conductor Terminal       |
|        | Frame or Chassis Terminal           |
|        | Equipotentiality                    |
|        | Caution, Risk of Electric Shock     |
|        | Caution, Refer to Accompanying Text |
|        | Hot Surface                         |
|        | Recycle Battery                     |



Note: Also use P-clips, ferrite absorbers, and braided-screen cables for connections to the AUX box within the enclosure.

Figure 5a. EMC connections to AT6n00 card

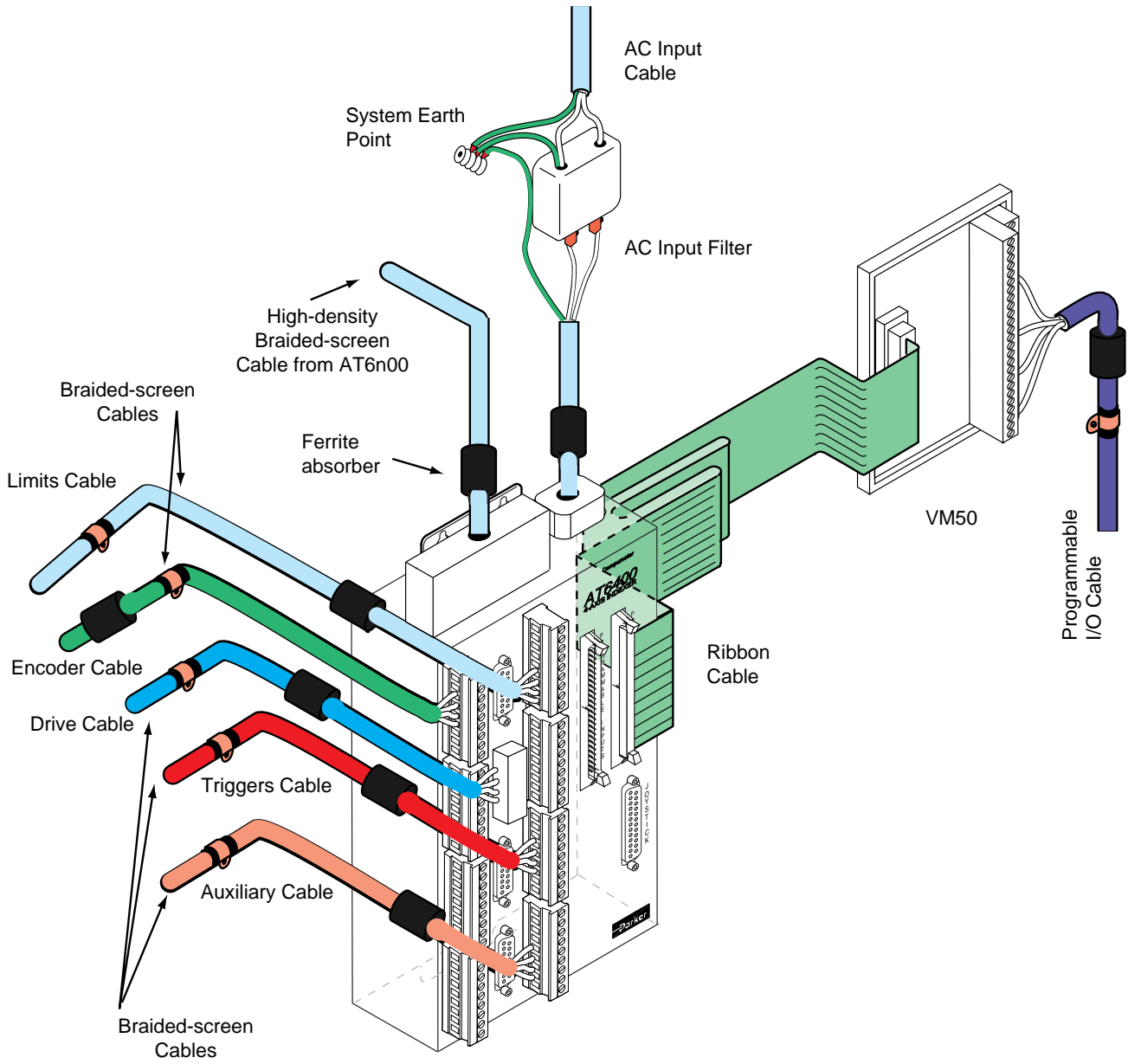


Figure 5b. EMC connections for AT6n00 AUX box within the System Enclosure



# I N D E X

16-bit transfer mode 4  
8-bit transfer mode 4

## A

AC input power connections & specs  
19  
acceleration range 3  
accuracy  
stepping 3  
velocity 3  
active levels (*see polarity*)  
address  
conflict 25  
avoiding 27  
DIP switch settings 4  
match the setting in Motion Architect 27  
air-flow space, minimum 6  
analog inputs (joystick), connections & specs 13  
assumptions (skills & knowledge required for installation) i  
AUX board  
connect to controller card 8  
mounting 6  
auxiliary input (joystick), connections & specs 13  
axes select input connections & specs 13

## B

base address (*see address*)  
BBS (bulletin board service) 22, 25  
BCD input via thumbwheels 18  
bracket, mounting  
AUX board 6  
PC card 5

## C

cables, extending 20  
CE installation guidelines 29  
change summary i  
circuit drawings (*see back cover of manual, and "schematics, internal"*)  
communication  
Motion Architect 22  
problems 25  
CompuCAM™ 22  
computer  
I/O address space map 4  
installing the PC card 5  
interrupt assignments 4  
operations guide i

turn off before installing cards 5  
conduit 2, 20  
configuration—DIP switches (address, interrupts, transfer mode) 4  
connections  
analog channel inputs 13  
AUX board cable 8  
CE-compliance guidelines 29  
drive(s) 9, 10  
encoder 12  
end-of-travel limit inputs 11  
home limit inputs 11  
joystick 13  
lengthening cables 20  
PLC inputs 17  
PLC outputs 16  
power input 19  
pre-wired (factory) 8  
programmable inputs 16  
programmable outputs 17  
pulse cut-off input (P-CUT) 8  
testing 21  
thumbwheels 18  
trigger inputs 14  
VAC power input 19  
VDC power input 19  
VM50 screw terminal adaptor 15  
contaminants 6  
controller-to-AUX connections 8

## D

damage from electro-static discharge (ESD) 5  
DC input power connections & specs 19  
DDE6000™ 22  
device address (*see address*)  
dimensions, AUX board 6  
DIP switch settings (address, interrupts, transfer mode) 4  
DOS support software  
terminal emulation 21  
test 21  
downloading, operating system errors 27  
from Motion Architect 22  
LED status 26  
problems 26  
drive  
connections 9, 10  
drive fault input 9

## E

edge connector, PC card 5  
electric codes i  
electrical noise  
CE installation guidelines 29  
suppressing 20  
EMC installation guidelines 29  
emergency stop (pulse cut-off) switch 8  
encoder, connections and specs 12  
environmental considerations 6  
environmental specifications 3  
extending I/O cables 20

## F

factory connections 8  
factory set DIP switches 4  
FAX number for technical support 22, 25  
feedrate control (potentiometer), connections 13  
ferrite absorbers 29  
filtering the AC input supply 31  
firmware, changing 32  
fuses  
adding line fuses 31  
internal (do not replace!) 32

## G

grounding 2  
grounding system 7

## H

hard limits (end-of-travel) 11  
HCMOS-compatible switching voltage levels 3  
heat 3  
helpful resources (publications) i  
hex address 4  
high-density cable 8  
humidity 6  
humidity 3

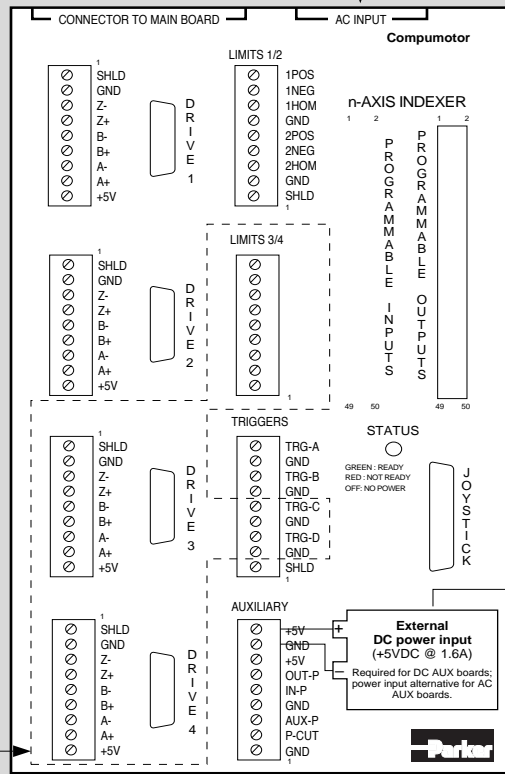
## I

I/O cabling 20  
I/O test program 21  
in-position input 9  
indexer-to-AUX cable 6  
inductive load, connecting outputs to 17  
inputs  
analog (joystick) 13  
encoder 12

- end-of-travel limits 11
  - general-purpose programmable 15
    - problems 26
  - home limit 11
  - input pull-ups (IN-P & AUX-P) 8
  - joystick 13
  - P-CUT 8
  - trigger 14
    - problems 26
  - installation
    - CE guidelines 29
    - connections (*see connections*)
    - DIP switch settings 4
    - mounting 6
    - precautions 2
    - test 21
  - interrupts
    - conflict 25
      - avoiding 27
    - DIP switch settings 4
    - match the setting in Motion Architect 27
- J**
- joystick
    - connections & specs 13
    - problems 26
- L**
- LEDs 19, 24
  - limit input connections 11
  - line fuses, adding 31
- M**
- minimum air-flow space 6
  - motion algorithm update rate 3
  - Motion Architect 22
  - Motion Builder™ 22
  - Motion Toolbox™ 22
  - motor driver (*see drive*), (*see drive*)
  - mounting 6
    - EMC compliant 31
- N**
- National Electric Code Handbook i
  - negative-travel limits 11
  - noise, electrical 2
    - suppression on I/O cables 20
- O**
- operating system, downloading
    - from Motion Architect 22
    - LED status 26
    - problems 26
  - outputs
    - general-purpose programmable 15
      - problems 26
    - output pull-up (OUT-P) 8
- P**
- P-clips 30
  - P-CUT (pulse cut-off) input
    - connections & specs 8
  - PC-AT (*see computer*)
- performance specifications 3
  - pin outs *see also back cover of manual*
    - drive connector 9
    - encoder connector 12
    - joystick connector 13
    - limits connector 11
    - programmable inputs 15
    - programmable outputs 15
  - PLC connections 16
  - polarity
    - end-of-travel limit inputs 11
    - home input 11
    - programmable inputs 15
    - programmable outputs 15
    - trigger inputs 14
  - position range 3
  - positive-travel limits 11
  - power (AC and DC) input connections & specs 19
  - power supply
    - AC input, filtering 31
    - for P-CUT, limit inputs, & trigger inputs 8, 11, 14
    - for programmable inputs & outputs 15
  - pre-wired connections 8
  - precautions
    - installation 2
    - mounting 6
  - product return procedure 28
  - pulse cut-off (P-CUT) 8
- R**
- reference documentation i
  - release input (joystick), connections & specs 13
  - resolution, decoded quadrature 12
  - return procedure 28
- S**
- safety 2
  - safety stops 11
  - schematics, internal (*see also back cover*)
    - drive inputs and outputs 9
    - encoder inputs 12
    - joystick/analog inputs 13
    - limit inputs 11
    - P-CUT input 8
    - programmable inputs and outputs 15
    - trigger inputs 14
  - screw, mounting 5
  - shielding 2
    - I/O cables 20
  - ship kit 2
  - sinking input device, connecting to 17
  - sinking output device, connecting to 14, 16
  - software, update from BBS 22, 25
  - sourcing input device, connecting to 17
  - sourcing output device, connecting to 14, 16
  - specifications, overall list of (*see also back cover of manual*) 3
- status commands (*see also test on page 20*)
    - axis (*see TAS command*)
    - joystick analog input voltage (*see TANV command*)
    - joystick digital inputs (*see TINO command*, bits 1-5)
    - limit switches (*see TLIM command*)
    - P-CUT input (*see TINO command*, bit 6)
    - programmable inputs (*see TIN command*)
    - programmable outputs (*see TOUT command*)
    - trigger inputs (*see TIN command*)
  - status LEDs 19, 24, 26
  - stepping accuracy 3
  - stopping distance, actual 11
  - support software
    - Motion Architect 22
    - SW1 & SW2 (DIP switches) 4
- T**
- technical support 22, 25
  - temperature 6
  - temperature range 3
  - terminal emulation
    - Motion Architect 22
  - test program 21
  - test
    - program 21, 24
      - system installation 21
  - thumbhole connections 18
  - transfer mode 4
  - transformer, isolating 31
  - travel limits 11
  - trigger input (joystick), connections & specs 13
  - troubleshooting 24
    - common problems & solutions 25
    - diagnostic LEDs 24
    - test panels, Motion Architect 25
    - test program 24
  - TTL-compatible switching voltage levels 3
- V-Z**
- velocity accuracy 3
  - velocity range 3
  - velocity repeatability 3
  - velocity select input, connections & specs 13
  - verify system installation 21
  - VM50 adaptor 15
  - Z channel output 12

## Connections

See also pages 7-20



Dashed line denotes features not available on the AT6200.

### PIN OUTS FOR "D" CONNECTORS

#### PROGRAMMABLE INPUTS & OUTPUTS

| Pin | Function                  |
|-----|---------------------------|
| 49  | +5VDC                     |
| 47  | Input or Output #1 (LSB)  |
| 45  | Input or Output #2        |
| 43  | Input or Output #3        |
| 41  | Input or Output #4        |
| 39  | Input or Output #5        |
| 37  | Input or Output #6        |
| 35  | Input or Output #7        |
| 33  | Input or Output #8        |
| 31  | Input or Output #9        |
| 29  | Input or Output #10       |
| 27  | Input or Output #11       |
| 25  | Input or Output #12       |
| 23  | Input or Output #13       |
| 21  | Input or Output #14       |
| 19  | Input or Output #15       |
| 17  | Input or Output #16       |
| 15  | Input or Output #17       |
| 13  | Input or Output #18       |
| 11  | Input or Output #19       |
| 9   | Input or Output #20       |
| 7   | Input or Output #21       |
| 5   | Input or Output #22       |
| 3   | Input or Output #23       |
| 1   | Input or Output #24 (MSB) |

Even numbered pins are connected to logic ground.

#### DRIVE

| Pin | Function             |
|-----|----------------------|
| 1   | Step +               |
| 2   | Direction +          |
| 4   | In-Position          |
| 5   | Drive Fault          |
| 7   | +5VDC Output         |
| 8   | Shield (chassis gnd) |
| 9   | Step Return (-)      |
| 10  | Direction Return (-) |
| 11  | Shutdown +           |
| 12  | Shutdown Return (-)  |
| 13  | Isolated Logic gnd   |
| 14  | Isolated Logic gnd   |

Pins 3, 6, & 15 are reserved

#### JOYSTICK

| Pin | Function              |
|-----|-----------------------|
| 1-4 | Analog Channels 1-4   |
| 8   | Shield (chassis gnd)  |
| 14  | Isolated Logic gnd    |
| 15  | Axes Select Input     |
| 16  | Velocity Select Input |
| 17  | Release Input         |
| 18  | Trigger Input         |
| 19  | Auxiliary Input       |
| 23  | +5VDC Output          |

Pins 5-7, 9-13, 20-21, 24-25 are reserved

## I/O SPECIFICATIONS AND INTERNAL SCHEMATICS

**Power Input:** AT6200 AC AUX Board.....90-264VAC, 50/60 Hz, 0.75A @ 240VAC, single-phase.  
 AT6400 120V AUX Board.....90-132VAC, 50/60 Hz, 1.5A @ 120VAC, single-phase.  
 AT6400 240V AUX Board.....90-264VAC, 50/60 Hz, 0.75A @ 240VAC, single-phase.  
 AT6n00 DC AUX Board.....+5VDC (±5%) @ 1.6A (connect to the AUXILIARY connector).

### Internal Schematics

**Limits, P-CUT, & Trigger Inputs**

POS, NEG, HOM, P-CUT, or TRG-x  
 AUX-P (connect to the +5V terminal on the AUXILIARY connector, or to an external supply of up to 24VDC)  
**Specs:** HCMOS-compatible\*; voltage range = 0-24VDC.

**Encoder Inputs**

A-, B-, or Z-  
 A+, B+, or Z+  
**Specs:** Differential comparator. Use 2-phase quadrature encoders; max. frequency = 1.6 MHz; min. time between transitions = 625 ns. TTL voltage levels (Low ≤ 0.4V, High ≥ 2.4V); range = 0-5VDC.

**Programmable Inputs**

General-purpose Programmable Input  
 IN-P (Connect to the +5V terminal on the AUXILIARY connector, or to an external supply of up to 24VDC. To sink current, connect to a GND terminal.)  
**Specs:** HCMOS-compatible\*; voltage range = 0-24VDC.

**Programmable Outputs**

General-purpose Programmable Output  
 OUT-P (connect to the +5V terminal on the AUXILIARY connector, or to an external supply of up to 24VDC)  
**Specs:** Open collector output. Max. voltage in OFF state (not sinking current) = 24V, max. current in ON state (sinking) = 30mA.

**Drive Inputs**

Drive Fault or In-Position (pin 5 or 4)  
**Specs:** HCMOS-compatible\*; voltage range = 0-5VDC.

**Drive Outputs**

Step+, Direction+, or Shutdown+ (pins 1, 2, or 11)  
 Step-, Direction-, or Shutdown- (pins 9, 10, or 12)  
**Specs:** Differential line driver output. Signal high ≥ 3.5VDC @ +30mA; signal low ≤ 1.0VDC @ -30mA. +output for each differential driver is active high; -output for each driver is active low. Step pulse width is 0.3 μs to 20 μs (depends on the value of the PULSE command—default is 0.3 μs).

**Joystick Analog and Digital Inputs**

Analog Channel Inputs (pins 1-4)  
**Specs:** Voltage range = 0-2.5VDC, 8-bit. Must not exceed 5VDC.  
 Ground (pin 14)  
**Specs:** HCMOS-compatible\*; voltage range = 0-24VDC.  
 Axes Select, Velocity, Release, Trigger, or Auxiliary (pins 15-19)

**Terminals found on multiple connectors**

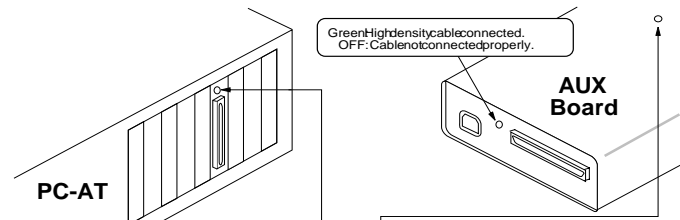
5V Load Limit (for all I/O connections):  
 1.5A for AT6400-120; 1.0A for AT6200 AC & AT6400-240. Limit for DC AUX boards depends on external power supply.

\* HCMOS-compatible levels: Low ≤ 1.00V, High ≥ 3.25V.

## Troubleshooting

See also pages 23-28

- LEDs – see illustration (right).
- Status information (see descriptions in 6000 Series Software Reference):  
 Axis status (general problem conditions)...TAS command  
 Joystick analog voltage.....TANV command  
 Joystick digital inputs.....TINO command (bits 1-5)  
 Limit switches.....TLIM command  
 P-CUT input.....TINO command (bit 6)  
 Programmable and trigger inputs.....TIN command  
 Programmable outputs.....TOUT command
- P-CUT input terminal must be grounded to GND terminal to allow motion.
- Programmable input functions (INFNC command) and drive fault detection will not be operable until you enable input functions with the INFEN1 command.
- Incorrect drive fault level (DRFLVL command) will prevent motion.
- To help prevent electrical noise, shield all connections at one end only.
- Error messages while programming or executing programs – see the 6000 Series Programmer's Guide.
- Download errors – see page 27.
- Address, transfer mode, and interrupt DIP switch settings – see page 4.
- Technical support – see phone numbers on inside of front cover..



After applying power, the status LED on the AT6n00 PC card will be off and the status LED on the AUX board should be red. If the LED on the AUX board is off, the AUX board does not have AC power.

After downloading the operating system, the status LEDs on the AUX board and the PC card will turn green indicating the system is ready for operation. If both status LEDs do not turn green after downloading the operating system, an error has occurred. The download program (AT6400) issues an error message if it cannot find the card or if the download operation is not successful (refer also to the troubleshooting information in Chapter 2, Troubleshooting).

**Board Monitor Alarm (BMA):** Detects un-recoverable faults in hardware and software. When the BMA detects fault, the status LED on AT6n00 PC card turns off. The BMA can be reset by cycling power to the PC-AT, or by re-downloading the AT6n00 operating system.