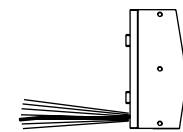
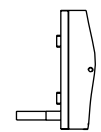


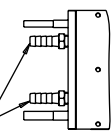
REV	DESCRIPTION	DATE	APPROVAL
A	ER 1838	02/01/02	JME



**FLYING LEADS**

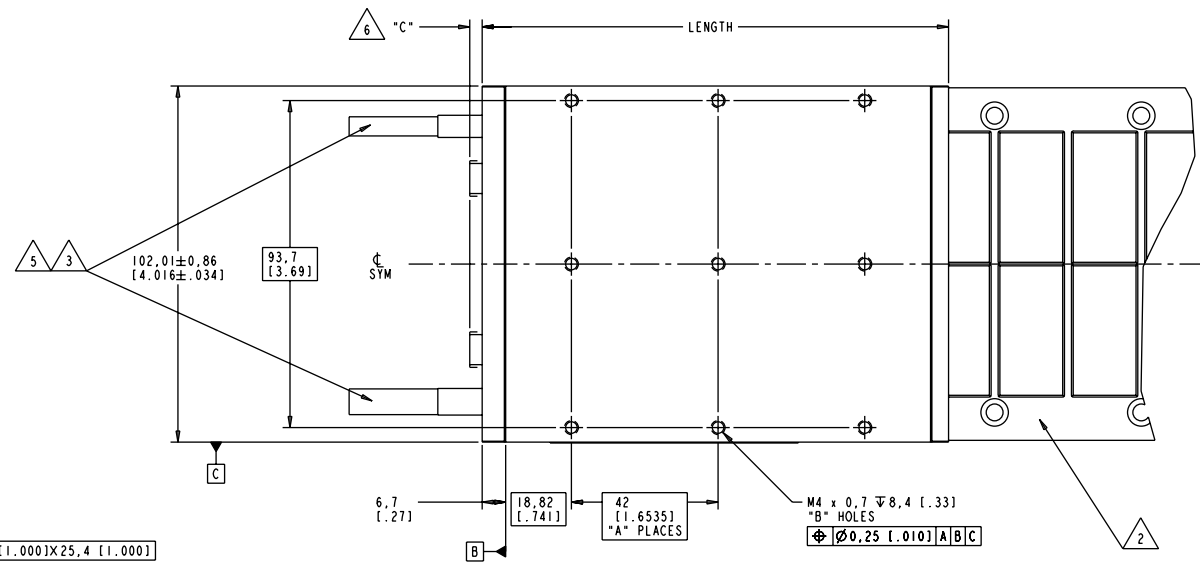
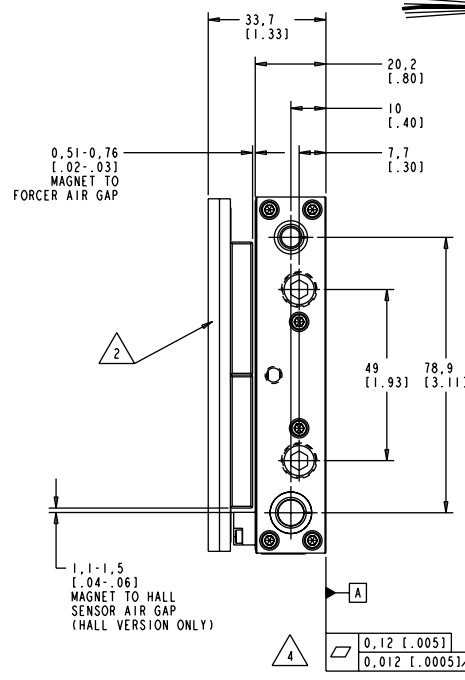


**NO HALL COMMUTATION**  
(CABLE VERSION SHOWN)

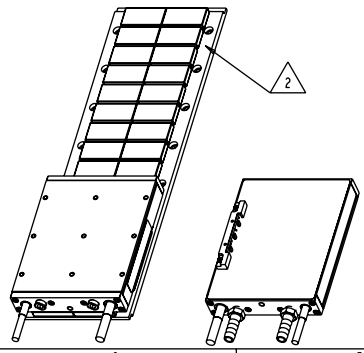


**HALL COMMUTATION**  
(CABLE VERSION SHOWN WITH AIR/WATER COOLING)

1/8" PT X 5/16" ID HOSE BARB



**10 AND 25 FOOT CABLE**  
(HALL VERSION SHOWN)



**NOTES:**

- DIMENSIONS ARE IN MM [IN]. TOLERANCES IN TITLE BLOCK APPLY TO INCH DIMENSIONS.
- LB102XXX MAGNET BAR PURCHASED SEPERATELY
- FLEX CABLE IS DESIGNED FOR 10 MILLION CYCLES AT A BEND RADIUS OF GREATER THAN 80 MM.
- WHEN MOUNTING THE FORCER UNIT, MATING SURFACE MUST BE AT LEAST AS FLAT AS CALLOUT SHOWN HERE.
- DO NOT FLEX CABLE WITHIN 30 MM OF CABLE EXIT.
- "C" = 5MM [.2 IN] MAX FOR 1/8" PT PLUG (SHOWN) OR "C" = 35MM [1.4 IN] MAX FOR 1/8" PT X 5/16" ID HOSE BARB

PART NO.	LENGTH	"A"	"B"
SL10204	133,7 [5.26]	2	9
SL10206	175,5 [6.92]	3	12
SL10208	217,7 [8.57]	4	15
SL10210	259,7 [10.22]	5	18
SL10212	301,7 [11.88]	6	21

CONNECTIONS	
10	10" CABLE
25	25" CABLE
FL	18" FLYING LEADS

UNLESS OTHERWISE SPECIFIED  
-1 ± 0.03 ANGLES 90°  
-25 ± 0.11 AND 1/16 IN  
-30 ± 0.005 SURF

DEBURR AND BREAK ALL SHARP EDGES  
MATERIAL: CHECKED: DATE: 06/27/01  
FINISH: ENGR: SCALE: 1.50:1  
OC: DO NOT SCALE DRAWING

APPROVALS: DATE: DRAWING NO: 88-019779-01  
SHEET 1 OF 1

**Parker Compumotor**  
DIMENSIONAL DRAWING, FORCER  
SIZE 102XX, SL  
LINEAR SERVO MOTOR

TYPE: ASSEM MODEL: SL102.FOR IWS