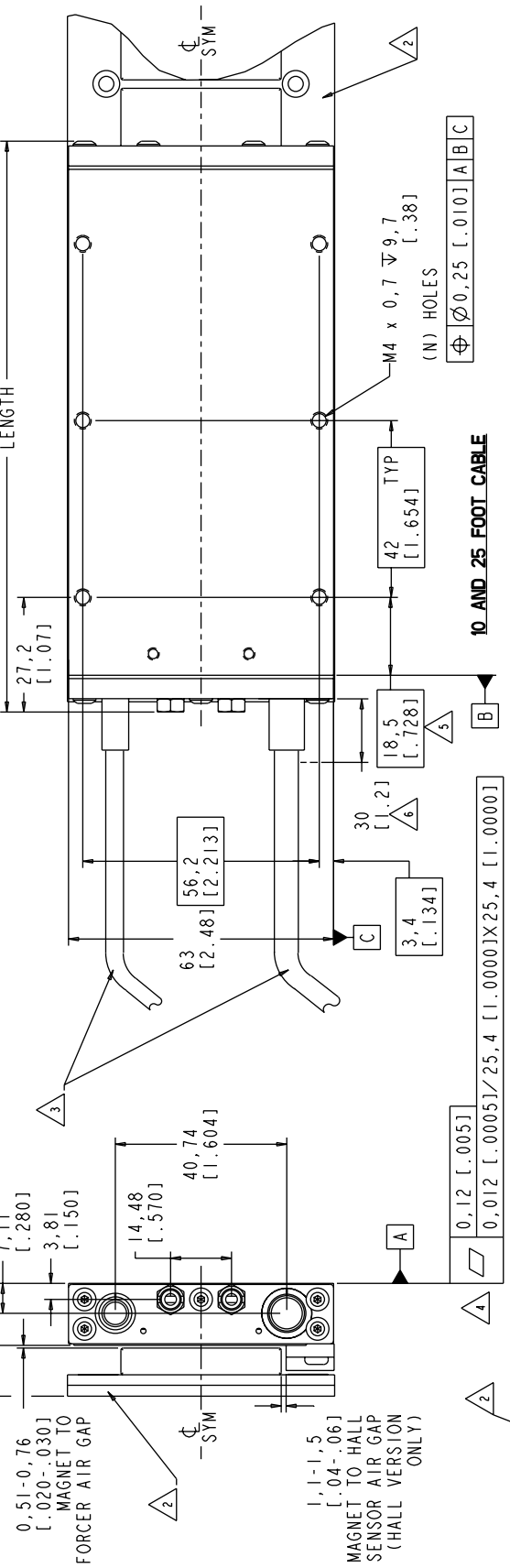
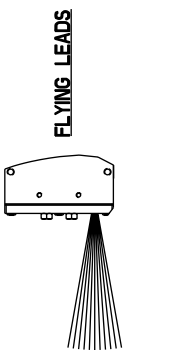
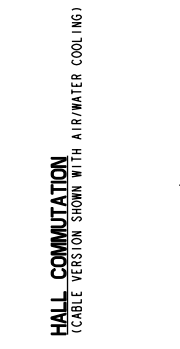


REV	DESCRIPTION	DATE	APPROVED
A	REV. 1739	01/26/01	RJC

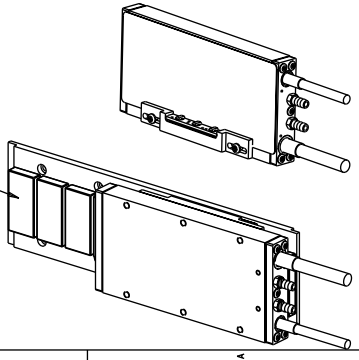


PART NO	LENGTH	N
SL06304	135.5 [5.33]	6
SL06306	177.5 [6.99]	8
SL06308	219.5 [8.64]	10
SL06310	261.5 [10.30]	12
SL06312	303.5 [11.95]	14

CONNECTIONS
10 10" CABLE
25 25" CABLE
FL 18" FLYING LEADS

NOTES:

1. DIMENSIONS ARE IN MM [IN].
2. LB063XXX MAGNET BAR PURCHASED SEPERATELY.
3. FLEX CABLE IS DESIGNED FOR 10-MILLION CYCLES AT A BEND RADIUS OF GREATER THAN 80 MM.
4. WHEN MOUNTING THE FORCER UNIT, MATING SURFACE MUST BE AT LEAST AS FLAT AS CALLOUT SHOWN HERE.
5. DIMENSION USED FOR ESTABLISHING POSITIONAL TOLERANCE ON M4 MOUNTING HOLES.
6. DO NOT FLEX CABLES WITHIN 30 MM OF CABLE EXIT.



UNLESS OTHERWISE SPECIFIED: MATERIAL: 303 S.S. FINISH: 100% POLISH		Parker CommuMotor	
DIM. DWG. FORCER SIZE 063XX. SL BRUSHLESS SERVO MOTOR		DATE	REV.
TOLERANCES: FRACTIONAL DECIMALS MILLIMETERS		DATE	REV.
FITTINGS: DO NOT SCALE DRAWING		DATE	REV.
TYPE: ASSEMBLY		DATE	REV.
SHEET 1 OF 1		DATE	REV.