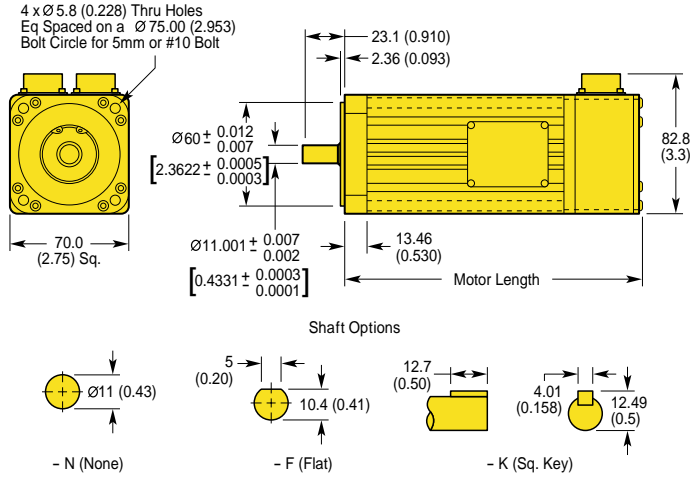


NeoMetric & J Series Dimensional Drawings

70 mm Dimensional Drawing

Dimensions in mm (inches)

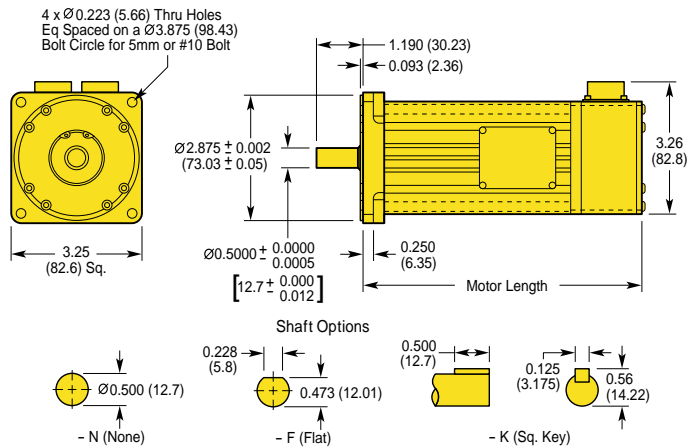


Motor Sizes

Model	Motor Length
N0701	125.5 (4.94)
N0702 J0701	150.9 (5.94)
N0703 J0702	176.3 (6.94)
N0704 J0703	201.7 (7.94)
N0701 w/ Brake	177.8 (7.00)
N0702 w/ Brake J0701 w/ Brake	203.2 (8.00)
N0703 w/ Brake J0702 w/ Brake	228.6 (9.00)
N0704 w/ Brake J0703 w/ Brake	254.0 (10.00)

Size 34, Dimensional Drawing

Dimensions in inches (mm)

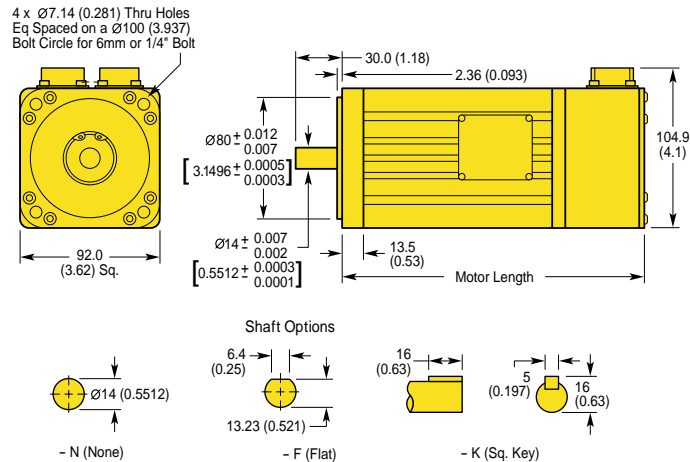


Motor Sizes

Model	Motor Length
N0341	4.94 (125.5)
N0342 J0341	5.94 (150.9)
N0343 J0342	6.94 (176.3)
N0344 J0343	7.94 (201.7)
N0341 w/ Brake	7.00 (177.8)
N0342 w/ Brake J0341 w/ Brake	8.00 (203.2)
N0343 w/ Brake J0342 w/ Brake	9.00 (228.6)
N0344 w/ Brake J0343 w/ Brake	10.00 (254.0)

92 mm Dimensional Drawing

Dimensions in mm (inches)



Motor Sizes

Model	Motor Length
N0921	168.4 (6.63)
N0922 J0921	206.5 (8.13)
N0923 J0922	244.6 (9.63)
N0924 J0923	282.7 (11.13)
N0921 w/ Brake	228.6 (9.00)
N0922 w/ Brake J0921 w/ Brake	266.7 (10.50)
N0923 w/ Brake J0922 w/ Brake	304.8 (12.00)
N0924 w/ Brake J0923 w/ Brake	342.9 (13.50)

Servo Motors

