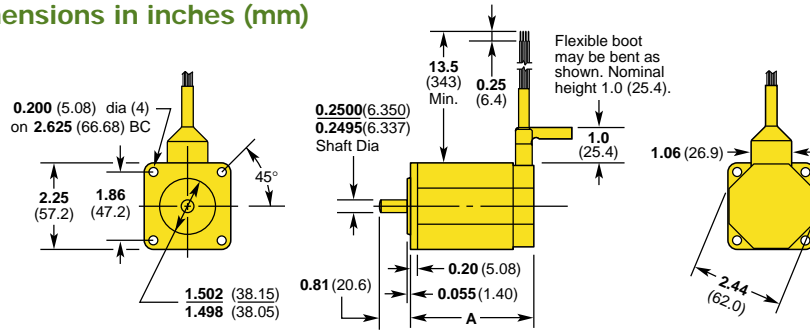


OEM750/OEM750X Motor Dimensional Drawings

Size 23 Frame, O Series and OEM57 Motors

Dimensions in inches (mm)



Frame Size 23

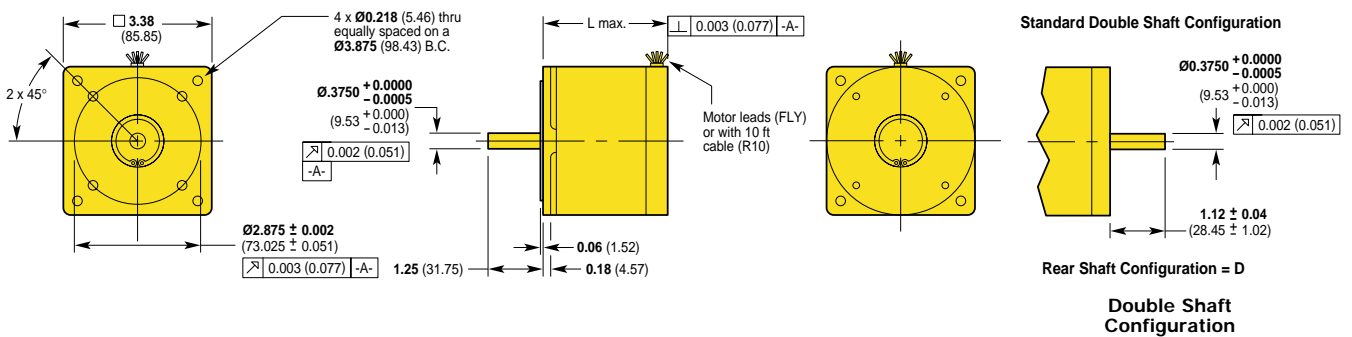
Model	A
OS2HA (OEM57-40)	1.60 (40.6)
OS21A (OEM57-51)	2.06 (52.3)
OS22A (OEM57-83)	3.10 (78.7)

Dimensions in inches (millimeters)

Model	Lmax
OS2HA	1.60 (40.7)
OS21A	2.06 (52.4)
OS22A	3.10 (78.8)

Size 34 Frame, R Series and OEM83 Motors, Regular Construction

Dimensions in inches (mm)

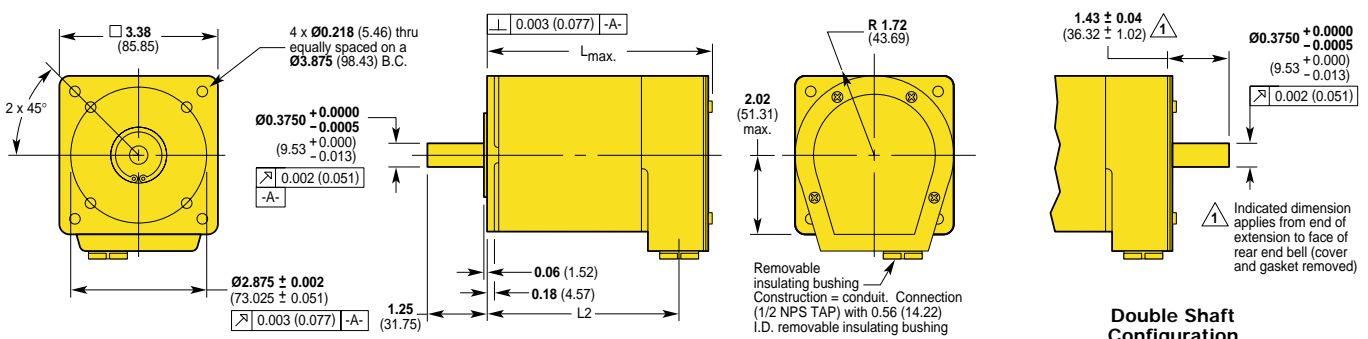


Double Shaft Configuration

Model	Lmax
RS31B-□□R10 (OEM83-62)	2.58 (65.54)
RS32B-□□R10 (OEM83-93)	3.76 (95.51)
RS33B-□□R10 (OEM83-135)	5.06 (128.53)

Size 34 Frame, R Series, End Bell Construction (NPS)

Dimensions in inches (mm)



Model	Lmax	L2
RS31B-□□NPS	3.62 (91.95)	2.87 (72.9)
RS32B-□□NPS	4.77 (121.16)	4.02 (102.11)
RS33B-□□NPS	6.05 (153.67)	5.30 (134.62)

Drives & Drive/Controllers

controllers
 drives
 motors