

TQ10 Connections

Connector 1 10-Pin Removable Connector

Pin No.	Type	Signal
1	Input	Enable In
2	Ground	Enable GND
3	Output	Fault Out+
4	Output	Fault Out-
5	Input	Reset In
6	Ground	Reset GND
7	Input	Command+
8	Input	Command-
9	Ground	Command Shield
10	Ground	Ground

Connector 2 10-Pin Removable Connector

Pin No.	Type	Signal
1	Ground	Ground
2	Output	+15VDC
3	Output	-15VDC
4	Ground	Hall GND
5	Output	Hall +5VDC
6	Input	Hall 1
7	Input	Hall 2
8	Input	Hall 3
9	Input	Motor Temp+
10	Input	Motor Temp-

TQ10SD Connections

Connector 1 10-Pin Removable Connector

Pin No.	Type	Signal
1	Output	Velocity Monitor
2	Input	CPE 2 (Position Error 2)
3	Input	Step+
4	Input	Direction+
5	Input	Deriv. Gain Reduction
6	Input	Integral Gain Off
7	Input	CPE 1 (Position Error 1)
8	Ground	Ground
9	Input	Step-
10	Input	Direction-

Connector 2 10-Pin Removable Connector

Pin No.	Type	Signal
1	Input	Shutdown+
2	Input	Shutdown-
3	Ground	Encoder Ground
4	Output	Encoder +5VDC
5	Input	Encoder A+
6	Input	Encoder A-
7	Input	Encoder B+
8	Input	Encoder B-
9	Output	Reserved
10	Output	Reserved

Connector 3 10-Pin Removable Connector

Pin No.	Type	Signal
1	Input	Enable In
2	Ground	Enable GND
3	Output	Fault Out+
4	Output	Fault Out-
5	Input	Reset In
6	Ground	Reset GND
7-10		Not Used

Connector 4 10-Pin Removable Connector

Pin No.	Type	Signal
1-3		Not Used
4	Ground	Hall GND
5	Output	Hall +5VDC
6	Input	Hall 1
7	Input	Hall 2
8	Input	Hall 3
9	Input	Motor Temp+
10	Input	Motor Temp-

Experienced Application Engineers Ready To Assist With Your Next Application. Call 1-800-358-9070.

TQ10X Connections

Connector 1 10-Pin Removable Connector

Pin No.	Type	Signal
1	Input	Input 1
2	Input	Input 2
3	Input	Input 3
4	Input	Input 4
5	Input	Input 5
6	Output	Output 1
7	Output	Output 2
8	Ground	Logic Ground
9	Output	RS-232 Tx
10	Input	RS-232 Rx

Connector 2 10-Pin Removable Connector

Pin No.	Type	Signal
1	Input	CW Limit
2	Input	CCW Limit
3	Ground	Logic Ground
4	Output	Encoder +5VDC
5	Input	Encoder A+
6	Input	Encoder A-
7	Input	Encoder B+
8	Input	Encoder B-
9	Input	Encoder Z+
10	Input	Encoder Z-

Connector 3 6-Pin Removable Connector

Pin No.	Type	Signal
1	Input	Enable In
2	Ground	Enable GND
3	Output	Fault Out+
4	Output	Fault Out-
5	Input	Reset In
6	Ground	Reset GND

Connector 4 7-Pin Removable Connector

Pin No.	Type	Signal
4	Ground	Hall GND
5	Output	Hall +5VDC
6	Input	Hall 1
7	Input	Hall 2
8	Input	Hall 3
9	Input	Motor Temp+
10	Input	Motor Temp-

Ordering Information



Model No. **Description**

Drive:

All drives are UL recognized and CE marked (LVD)	
TQ10	Torque Servo Drive
TQ10SD	Step and Direction Servo Drive
TQ10X	Servo Drive/Controller
TQ10-EHS	Torque Servo Drive with top and bottom panels and heatsink/fan
TQ10SD-EHS	Step and Direction Servo Drive with top and bottom panels and heatsink/fan
TQ10X-EHS	Servo Drive/Controller with top and bottom panels and heatsink/fan

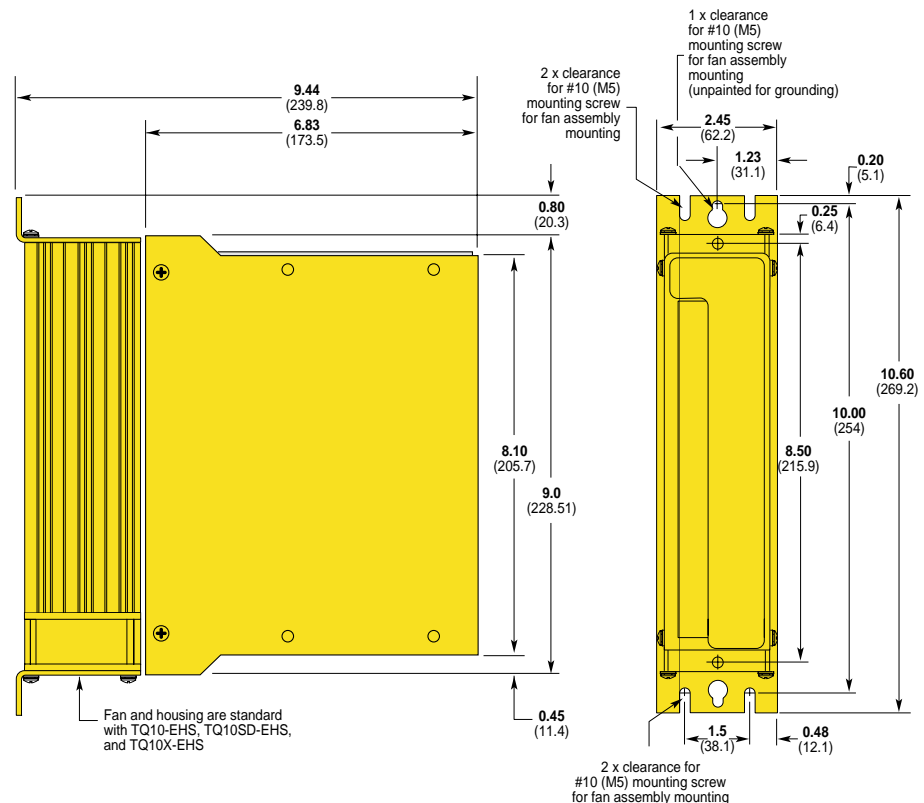
Ordering Information - cont'd

	Model No.	Description
Motors:	SM161AE-NTQN	Size 16, Normal Shaft, Encoder, TQ Connector, No Options
	SM162AE-NTQN	Size 16, Normal Shaft, Encoder, TQ Connector, No Options
	SM231AD-NTQN	Size 23, 1 Stack, 500Line Encoder
	SM231AE-NTQN	Size 23, 1 Stack, 1000 Line Encoder
	SM232AD-NTQN	Size 23, 2 Stack, 500 Line Encoder
	SM232AE-NTQN	Size 23, 2 Stack, 1000 Line Encoder
	SM233_D-NTQN	Size 23, 3 Stack, 500 Line Encoder (A or B Winding)
	SM233_E-NTQN	Size 23, 3 Stack, 1000 Line Encoder (A or B Winding)
	N0701DE-NTQN	70mm, Normal Shaft, Encoder, TQ Connector, No Options
	N0702EE-NTQN	70mm, Normal Shaft, Encoder, TQ Connector, No Options
	N0702FE-NTQN	70mm, Normal Shaft, Encoder, TQ Connector, No Options
	N0341DE-NTQN	Size 34, Normal Shaft, Encoder, TQ Connector, No Options
	N0342EE-NTQN	Size 34, Normal Shaft, Encoder, TQ Connector, No Options
	N0342FE-NTQN	Size 34, Normal Shaft, Encoder, TQ Connector, No Options
	J0701_E-NTQN	70mm, Normal Shaft, Encoder, TQ Connector, No Options
	J0702_E-NTQN	70mm, Normal Shaft, Encoder, TQ Connector, No Options
J0341_E-NTQN	Size 34, Normal Shaft, Encoder, TQ Connector, No Options	
J0342_E-NTQN	Size 34, Normal Shaft, Encoder, TQ Connector, No Options	
Cables for SM Series Motors:	23TQ CABLE-10	Encoder feedback and motor cable set for SM "TQ" motors, 10'
	23TQ CABLE-25	Encoder feedback and motor cable set for SM "TQ" motors, 25'
	23TQ CABLE-35	Encoder feedback and motor cable set for SM "TQ" motors, 35'
Cables for 70mm NeoMetric and J Series Motors	70TQ CABLE-10	Encoder feedback and motor cable set for Size 34 and 70mm "TQ" motors, 10'
	70TQ CABLE-25	Encoder feedback and motor cable set for Size 34 and 70mm "TQ" motors, 25'
	70TQ CABLE-35	Encoder feedback and motor cable set for Size 34 and 70mm "TQ" motors, 35'

Please Note:
Refer to the Servo Motor Section beginning on page 186 for complete motor and cable specifications.

TQ10, TQ10SD, TQ10X, TQ10-EHS, TQ10SD-EHS and TQ10X-EHS Dimensions

Dimensions in inches (mm)



Experienced Application Engineers Ready To Assist With Your Next Application. Call 1-800-358-9070.