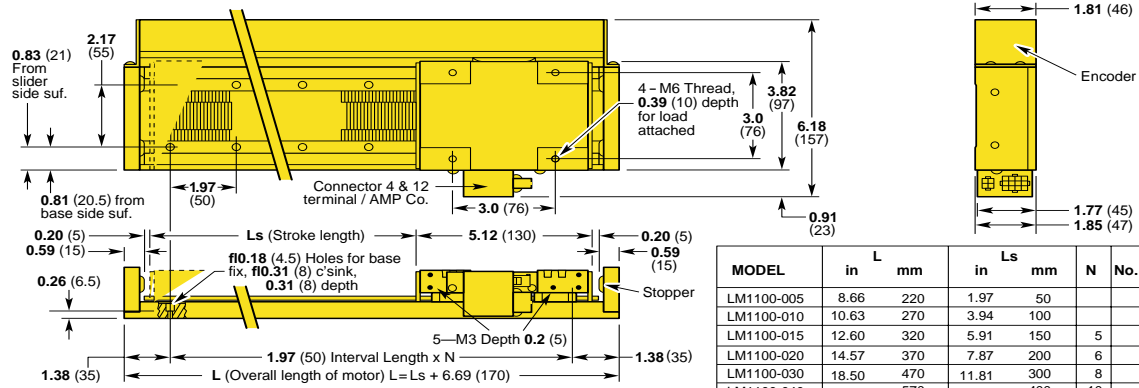


Linearserv Dimensional Drawings

LM1100/LM5090 Motor Dimensions

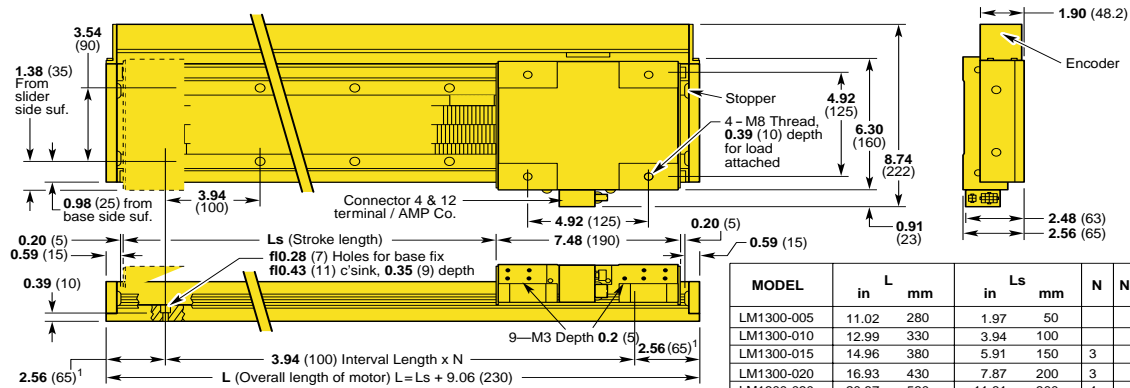
Dimensions in inches (mm)



MODEL	L		Ls		N	No. of Holes
	in	mm	in	mm		
LM1100-005	8.66	220	1.97	50		2 x 2
LM1100-010	10.63	270	3.94	100		2 x 4
LM1100-015	12.60	320	5.91	150	5	2 x 6
LM1100-020	14.57	370	7.87	200	6	2 x 7
LM1100-030	18.50	470	11.81	300	8	2 x 9
LM1100-040	22.44	570	15.75	400	10	2 x 11
LM1100-050	26.38	670	19.69	500	12	2 x 13
LM1100-060	30.31	770	23.62	600	14	2 x 15
LM1100-070	34.25	870	27.56	700	16	2 x 17
LM1100-080	38.19	970	31.50	800	18	2 x 19
LM1100-090	42.13	1070	35.43	900	20	2 x 21
LM1100-100	46.06	1170	39.37	1000	22	2 x 23
LM1100-110	50.00	1270	43.31	1100	24	2 x 25
LM1100-120	53.94	1370	47.24	1200	26	2 x 27
LM1100-130	57.87	1470	51.18	1300	28	2 x 29
LM1100-140	61.81	1570	55.12	1400	30	2 x 31
LM1100-150	65.75	1670	59.06	1500	32	2 x 33

LM1300/LM5270 Motor Dimensions

Dimensions in inches (mm)



Note: ¹ Dimensions for LM1300-005 and LM1300-015 are 1.57 (40) instead of 2.56 (65).

MODEL	L		Ls		N	No. of Holes
	in	mm	in	mm		
LM1300-005	11.02	280	1.97	50		2 x 2
LM1300-010	12.99	330	3.94	100		2 x 2
LM1300-015	14.96	380	5.91	150	3	2 x 4
LM1300-020	16.93	430	7.87	200	3	2 x 4
LM1300-030	20.87	530	11.81	300	4	2 x 5
LM1300-040	24.80	630	15.75	400	5	2 x 6
LM1300-050	28.74	730	19.69	500	6	2 x 7
LM1300-060	32.68	830	23.62	600	7	2 x 8
LM1300-070	36.61	930	27.56	700	8	2 x 9
LM1300-080	40.55	1030	31.50	800	9	2 x 10
LM1300-090	44.49	1130	35.43	900	10	2 x 11
LM1300-100	48.43	1230	39.37	1000	11	2 x 12
LM1300-110	52.36	1330	43.31	1100	12	2 x 13
LM1300-120	56.30	1430	47.24	1200	13	2 x 14
LM1300-130	60.24	1530	51.18	1300	14	2 x 15
LM1300-140	64.17	1630	55.12	1400	15	2 x 16
LM1300-150	68.11	1730	59.06	1500	16	2 x 17

Find Your Local Factory Authorized Distributor at www.compumotor.com or Call 1-800-358-9070.