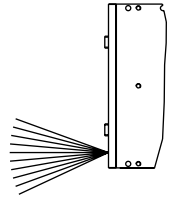
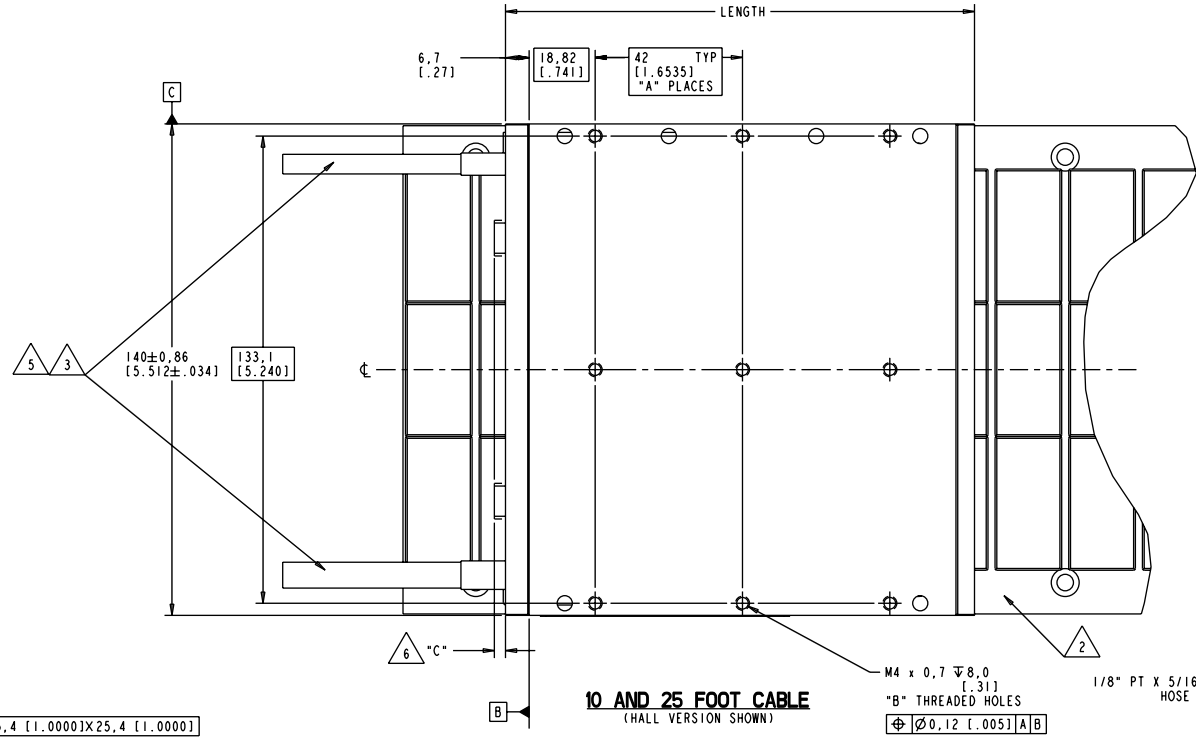
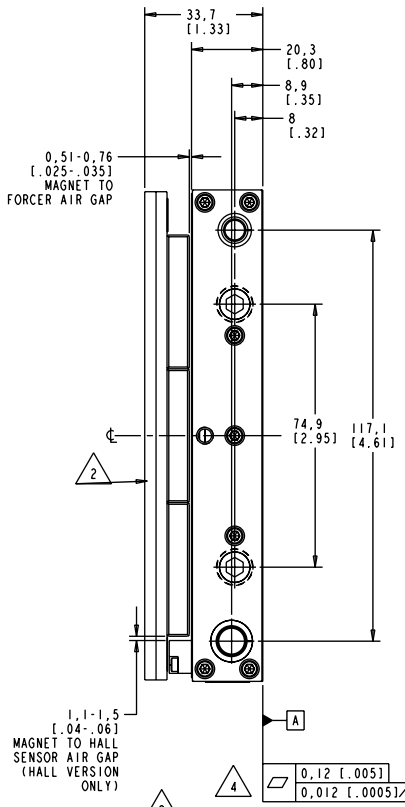
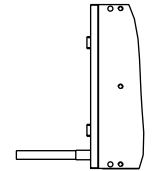


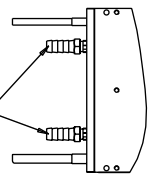
REV	DESCRIPTION	DATE	APPROVAL
B	EB 1819	08/28/01	JME



FLYING LEADS

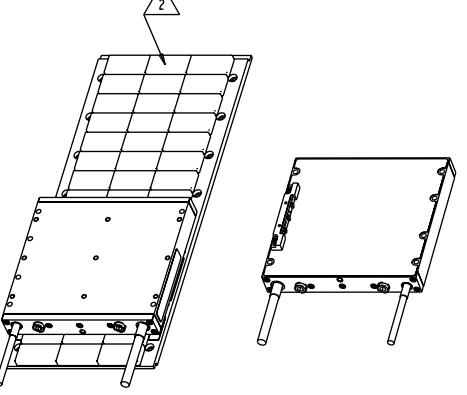


NO HALL COMMUTATION
(CABLE VERSION SHOWN)



HALL COMMUTATION

(CABLE VERSION SHOWN WITH AIR/WATER COOLING)



NOTES:

1. DIMENSIONS ARE IN MM [IN]. STANDARD TOLERANCES APPLY TO INCH DIMENSIONS.
2. LB140XXX MAGNET BAR PURCHASED SEPARATELY.
3. FLEX CABLE IS DESIGNED FOR 10-MILLION CYCLES AT A BEND RADIUS OF GREATER THAN 80 MM.
4. WHEN MOUNTING THE FORCER UNIT, MATING SURFACE MUST BE AT LEAST AS FLAT AS CALLOUT SHOWN HERE.
5. DO NOT FLEX CABLES WITHIN 30 MM OF CABLE EXIT.
6. "C" = 5MM [1.2 IN] MAX FOR 1/8" PT PLUG (SHOWN) OR "C" = 35MM [1.4 IN] MAX FOR 1/8" PT X 5/16" ID HOSE BARB

FRAME SIZE	LENGTH	"A"	"B"
SL14004	133,7 [5.26]	2	9
SL14006	175,7 [6.92]	3	12
SL14008	217,7 [8.57]	4	15
SL14010	259,7 [10.22]	5	18
SL14012	301,7 [11.88]	6	21

CONNECTIONS	
10	10" CABLE
25	25" CABLE
FL	18" FLYING LEADS

UNLESS OTHERWISE SPECIFIED

-.1 ± 0.03 ANGLES 90°
 .125 ± 0.01 RND 1/16"
 .125 ± 0.005 45°

DEBURR AND BREAK ALL SHARP EDGES

APPROVALS DATE
 JME 03/08/01

CHECKED
 EAG

SCALE 1.50:1

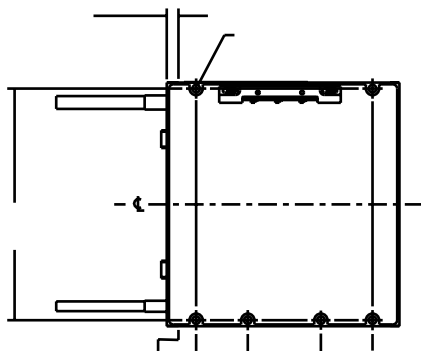
DO NOT SCALE DRAWING

Parker Compumotor
 DIMENSIONAL DRAWING, FORCER
 SIZE 140, SL
 BRUSHLESS SERVO MOTOR

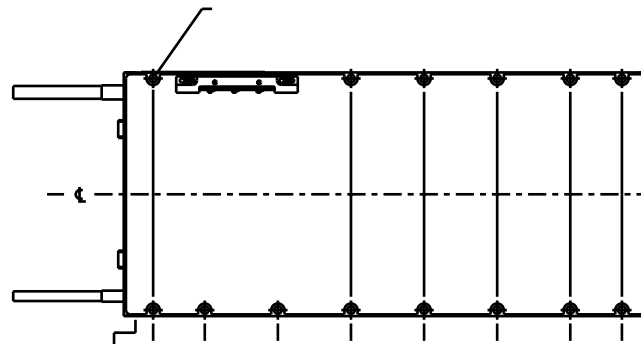
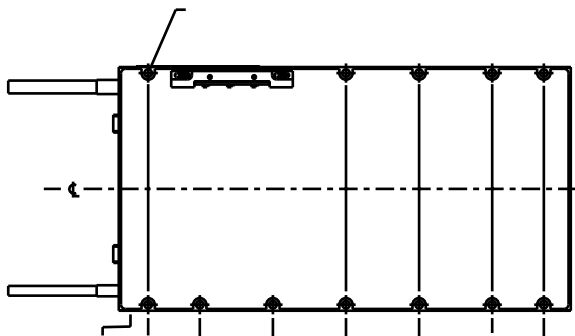
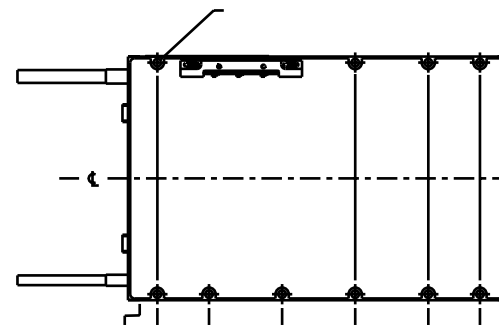
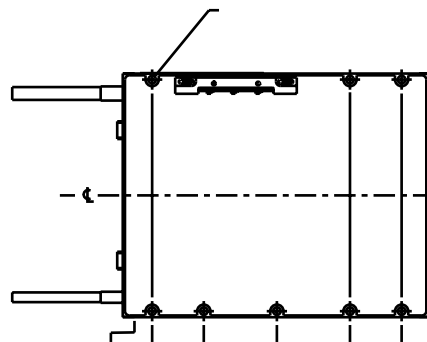
DRAWING NO. 88-019115-01

SHEET 1 OF 2

≡ BOLT PATTERNS



SL14004



✓		Barber Compressor