

## 3-D Cad Models:

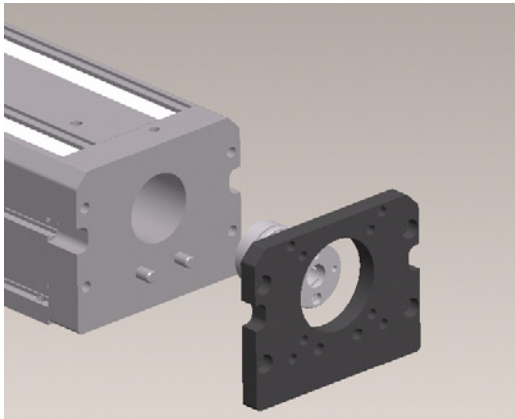
### HD085

Zipped Files **HD085-IGES OR HD085-STEP.ZIP** contains all 3-D (IGES/STEP) for HD085

Main table assy. HD085-TXX-where XX denotes travel (T01 thru T12)

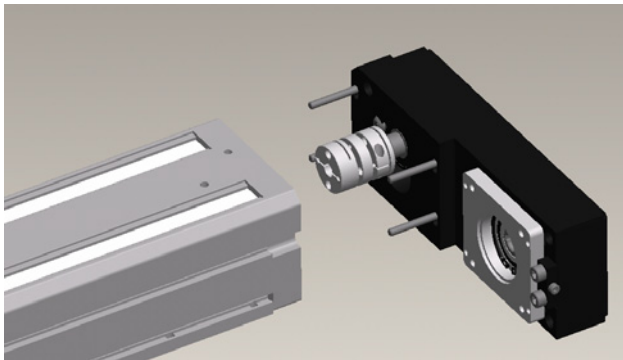
See catalog for specific travel information.

1. For Inline /Wrap-around versions choose the HD125-TXX- file. If you are choosing a flange Option choose the HD085\_TXX\_asm option. If you want the motor included option choose the HD085\_TXX\_Mxxx-Mxxx\_asm assembly.



Assemble the motor mount option using insert and mate to end block of HD085.

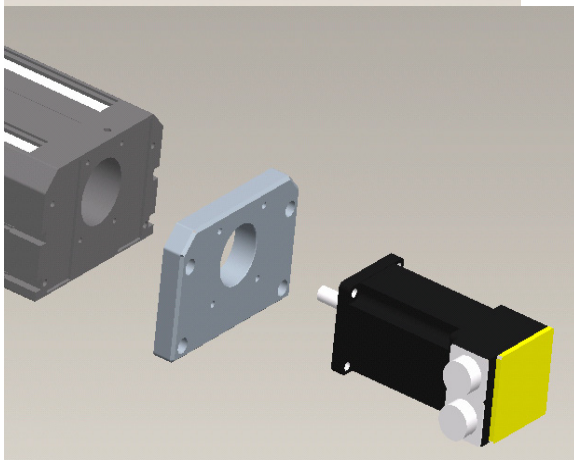
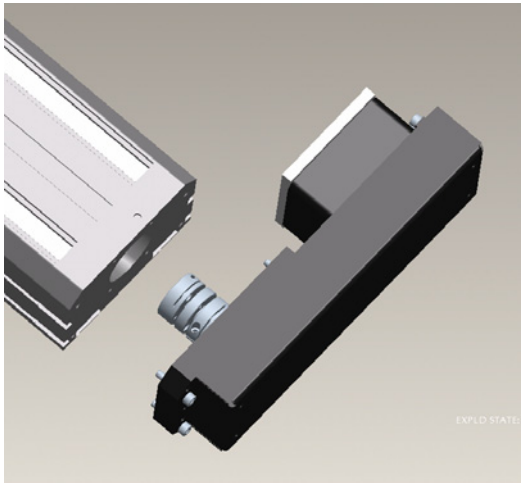
2. For Wrap-around versions choose the HD125-TXX- file. Then download the desired wrap option  
Assemble the motor mount option using insert and mate to end block of HD085.



## HD125

Zipped Files **HD125-TXX-3-D.ZIP** contains all 3-D (IGES/STEP) for HD 125  
HD125-TXX-3-D where XX denotes travel (T02 thru T15)  
See catalog for specific travel information.

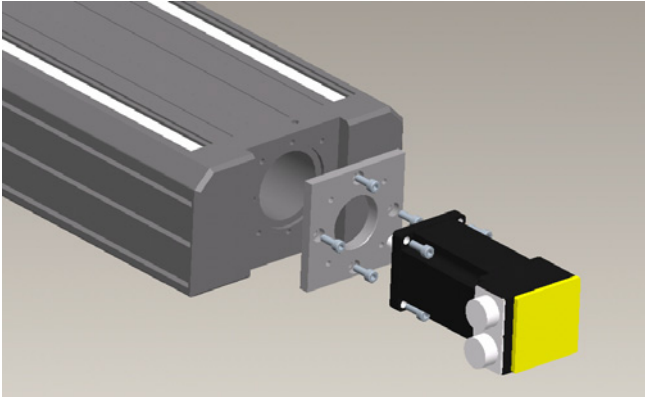
3. For Inline /Wrap-around versions, follow step 1 and choose the HD125-TXX-M000 file.  
Choose corresponding motor mount option that matches configurable option.  
Assemble the motor mount option using insert and mate to end block of HD125.



## HD185

Zipped Files **HD185-TXX-3-D.ZIP** contains all 3-D (IGES/STEP) for HD 185 HD185-TXX where XX denotes travel (T03thru T20)  
See catalog for specific travel information.

1. For Inline versions, follow step 1 and choose the HD125-TXX-M000 file.  
Choose corresponding motor mount option that matches configurable option.  
Assemble the motor mount option using insert and mate to end block of HD185.



2. For Wrap-around versions, follow step 1 and choose the HD125-TXX-M00X file.  
Choose corresponding motor mount option that matches configurable option.  
Assemble the motor mount option using insert shaft and mate to end block of HD185.  
Orient to desired side right/left per part #

