

RP240

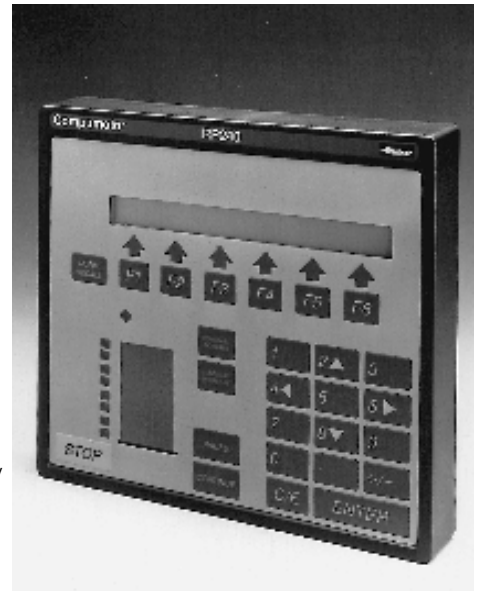
Operator Interface

Features

- Operates directly with Compumotor's ZETA6104, SX and ZX Indexer/Drives, 500, 6200 and 6201 Indexers, 6250 Servo Controller, and APEX6151/APEX6152/APEX6154 Controllers
- Communication through a three-wire RS-232C port (RX, TX Ground)
- Screw Terminal connections for easy wiring
- Sealed membrane keypad meets NEMA 12 specifications (NEMA 4 option available)
- Easy-to-read, 2-line, 40-character-per-line LCD display
- Adjustable contrast for the LCD display
- Numeric and Function key data entry
- Dedicated STOP key for program termination
- PAUSE and CONTINUE keys for temporary program halt
- 8 independent LEDs for user-selectable status indicators
- Power requirement of only 100 mA @ 5VDC (can be supplied from SX, ZX, 500, 6200, 6250, APEX6152, and APEX6154)
- Can be utilized by any controller capable of transmitting ASCII strings across RS-232C
- Low profile for easy panel mount configuration
- Optional flange for flush mounting and NEMA 4 sealed keypad (RP240-NEMA 4) membrane

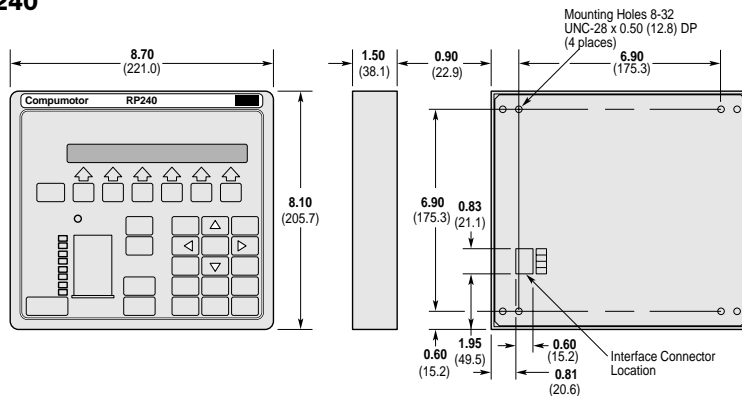
Summary of Command Set Functions

- Clear the display
- Enable/disable PAUSE and CONTINUE keys
- Turn RP240 LEDs on/off
- Position cursor
- Enable/disable STOP
- Display text data on RP240 LCD
- Display variable data on RP240 LCD

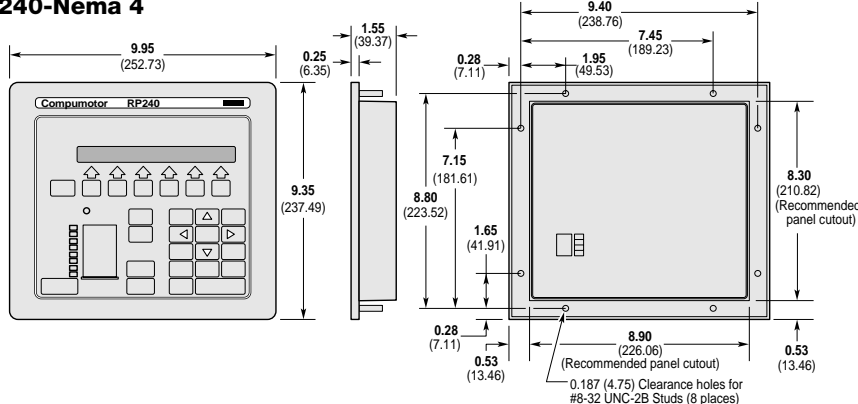


Dimensions (—) denotes millimeters

RP240



RP240-Nema 4



Specifications

Parameter	Value
Power	5VDC @ 100 mA
Serial Interface	RS-232C port, 3-wire, 9600 baud, 8 data bits, 1 stop bit, no parity
Environmental	
Operating Temp	36° to 122° F (5° to 50°C)
Storage Temp	-22° to 185°F (-30° to 85°C)
Humidity	0% to 95% non-condensing

RP240 Connections

Power & RS-232C, 4-pin

Pin No.	In/Out	Description
1	IN	Ground
2	IN	Receive (RX)
3	OUT	Transmit (TX)
4	IN	+5VDC