

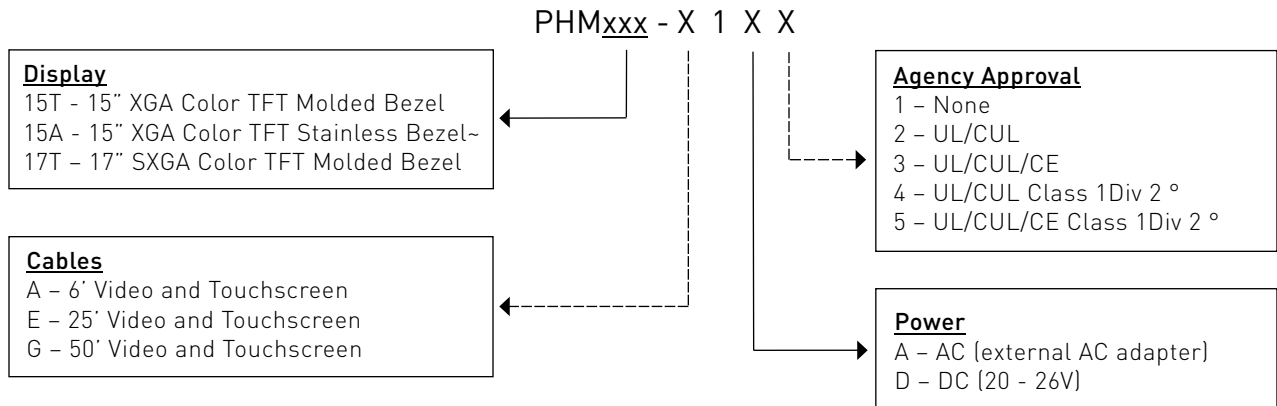
PHM Flat Panel Industrial Monitors



This CTC-designed and manufactured PHM line of flat panel Industrial Monitors features 15" and 17" display units for plant floor applications, including a Stainless Steel Bezel (15" display) version that is ideal for sanitary and clean room environments.

Each of these analog resistive touchscreen monitors offers exceptional display characteristics in a chemical resistive, NEMA-4/4x design. With standard PC inputs/outputs and auto-power sensing, these slim-profile monitors are easy to set up and install within a variety of cabinet and swing arm configurations. The new PHM Industrial Monitor family offers an affordable PC display solution that will stand up to the most demanding manufacturing environments.

Model Number Configurations



~ Stainless Steel Bezel Option is only available on the 15" Monitor at present - Call the Factory for 17" Applications.

° Class 1 Div 2 approval is not available at launch, it is anticipated by November 2006

Note:
 All systems include analog resistive touchscreens, 0-50 °C operation, agency approvals for CE, UL & CUL° and NEMA 4/4X rated package.

All published product specifications are subject to change without notice.

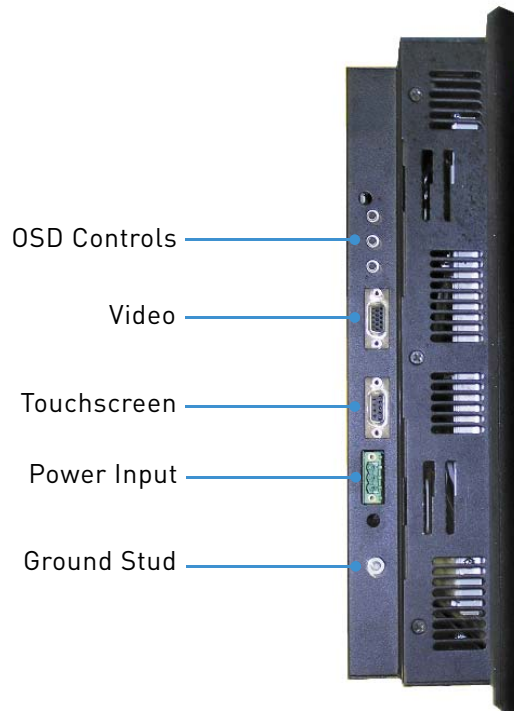




Categories	Features	15" Display (PHM15T/15A)	17" Display (PHM17T)
Display	Specification	15.1" (380mm) Diagonal, Color TFT XGA (1024x768) Resolution 260 NIT, up to 16 million colors 50,000 hour backlight (to half brightness)	17.0" (432mm) Diagonal, Color TFT SXGA (1280x1024) Resolution 250 NIT, up to 16 million colors 50,000 hour backlight (to half brightness)
	Interface	Analog Resistive Touchscreen	
I/O Ports	Video Input Touchscreen Output	Analog RGB through a standard 15-pin DSUB connector Serial RS232 (DCE) through a standard 9-pin DSUB connector	
Package	Temperature Range Rel. Humidity Vibration Shock	Operating temperature: 32° to 140° (0° to 50°C) ambient (air temperature outside of backshell) Storage temperature: -13° to 185 F (-25° to 85°C) 5-95% (non-cond.) 10-500 Hz 1 grms 10-500 Hz 1grms (random-operational-CompactFlash) 10G, 11 msec (operating) 30G, 11 msec (non-operating)	
	Dimensions	15" monitor w/standard molded bezel (H x W x D): 13.3" (338mm) x 16.8" (427mm) x 3.5" (89.6mm) 15" monitor w/stainless steel bezel (H x W x D): 13.3" (338mm) x 16.8" (427mm) x 3.1" (77.9mm)	17" monitor w/standard molded bezel (H x W x D): 15.7" (399mm) x 18" (457mm) x 3.2" (80.5mm)
	Weight	15" monitor w/standard molded bezel: 11.2 lbs. (5.1Kg.) 15" monitor w/stainless steel bezel: 14.4 lbs. (6.5Kg.)	17" monitor w/standard molded bezel: 17.9 lbs. (8.1Kg.)
Power Requirement		24 VDC, 50 Watts max. (AC with external adapter)	
Agency Approval		UL/CUL; CE † Tested for UL Type 4/4x environment (Monitor is rated NEMA 4 only if it installed in a NEMA 4 rated enclosure.)	

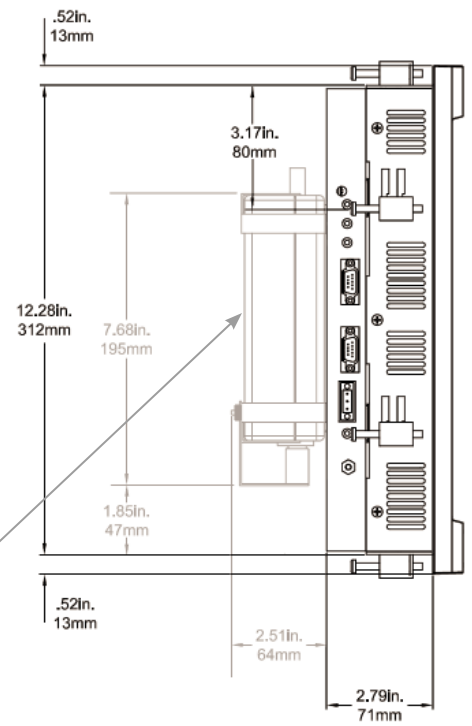
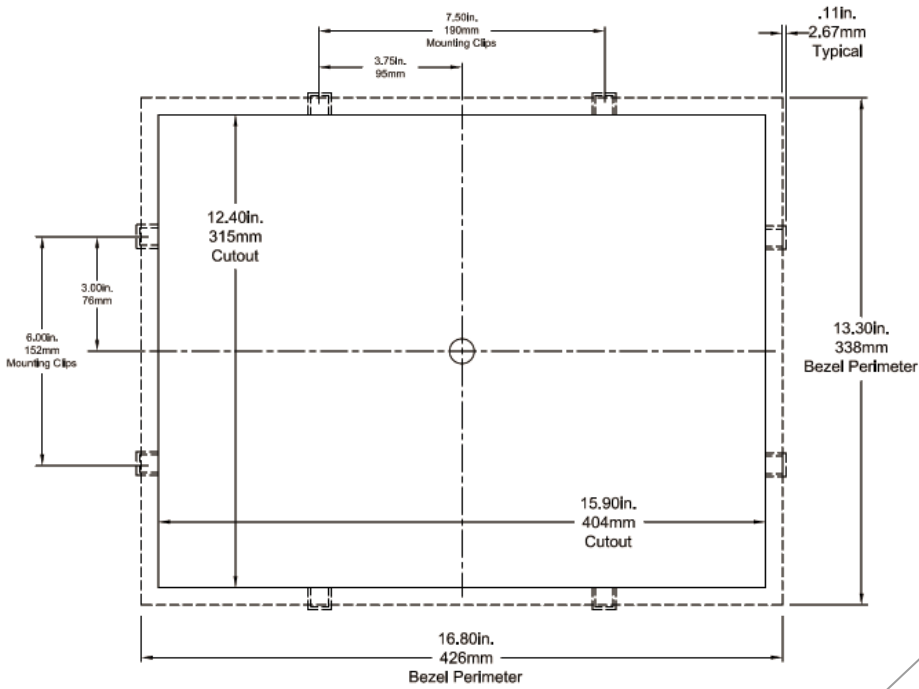
† Class 1 Div 2 approval is not available at launch, it is anticipated by November 2006

For more information about
PHM Flat Panel Industrial Monitors
visit www.ctcusa.com
or call us at **1-800-233-3329**



All published product specifications are subject to change without notice.

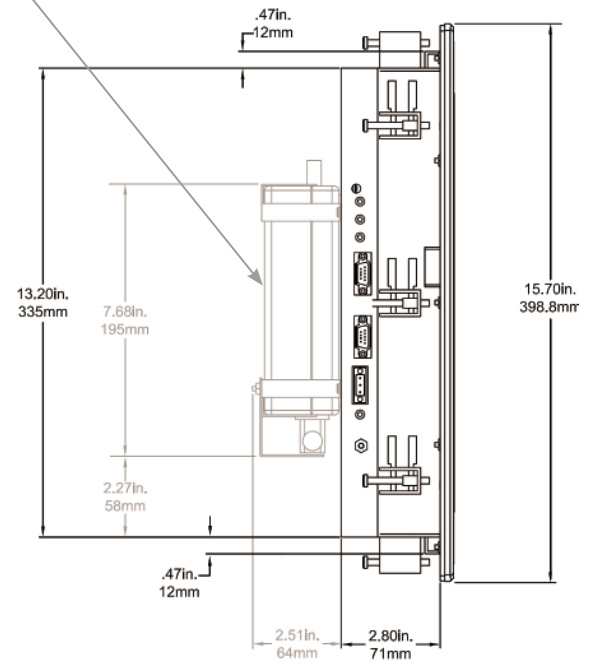
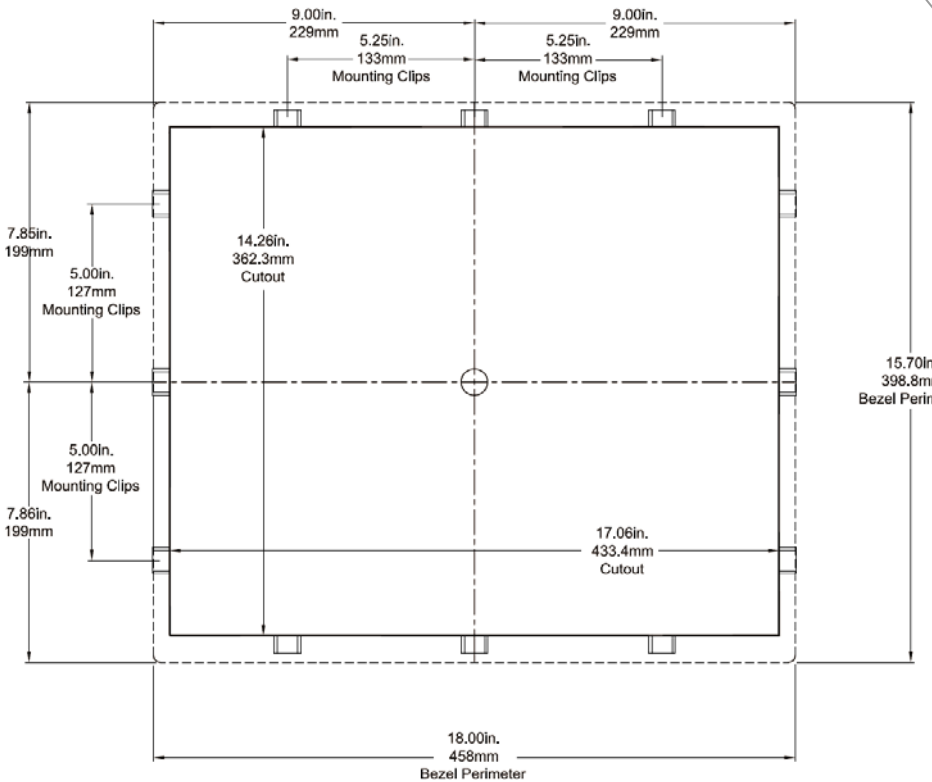
PHM15T/15A Cutout Dimensions:



Optional Rear-Mounted
AC Power Supply

Side View (Molded Bezel)

PHM17T Cutout Dimensions:



Side View

All published product specifications are subject to change without notice.