

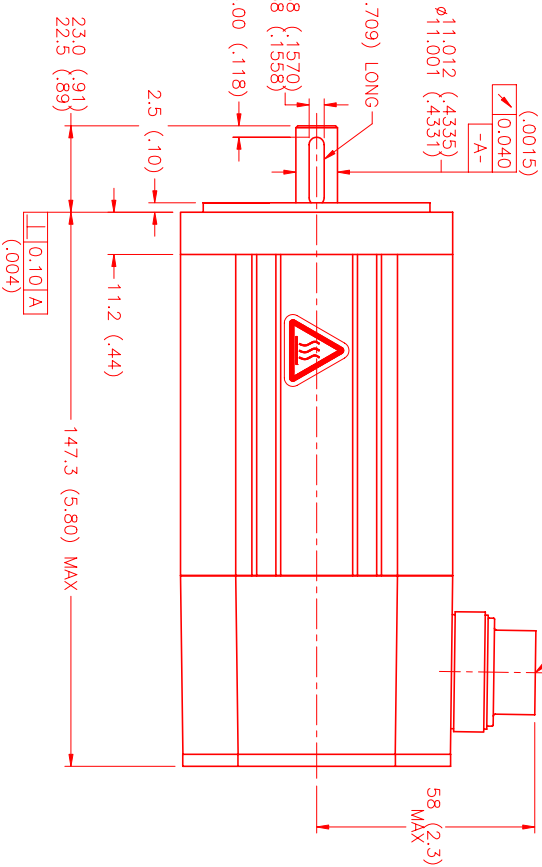
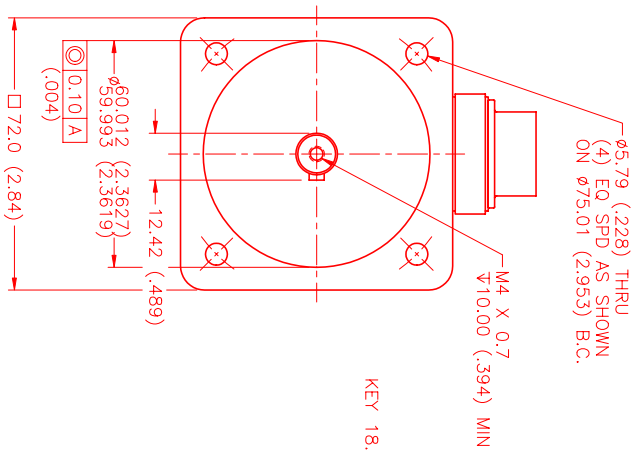
### MOTOR DATA @ 230 VAC (TRAP)

MOTOR PARAMETERS	UNITS	VALUE
HORSEPOWER	Hp	0.74
KILOWATTS	Kw	0.55
MAX. OPERATING SPEED	N. MAX RPM	7000
SPEED @ RATED TORQUE	RPM	5000
* CONTINUOUS RATED TORQUE @ 5000 RPM	IN-LBS[Nm]	9.4[1.1]
* CONTINUOUS STALL TORQUE	IN-LBS[Nm]	11.3[1.3]
CONTINUOUS LINE CURRENT	AMPS	3.9
PEAK TORQUE	IN-LBS[Nm]	34.0[3.8]
PEAK CURRENT	AMPS	12.0
MAX. THEORETICAL ACCEL.	RAD/SEC <sup>2</sup>	125,926
TORQUE SENSITIVITY	Kt IN-LBS/AMP[Nm/AMP]	2.914[0.329]
BACK EMF (LINE TO LINE)	Vrms/Krpm	25.9
D.C. RESISTANCE (P-P)	OHMS	3.7
INDUCTANCE (P-P)	MILLIHENRIES	7.3
ROTOR INERTIA	Jm [IN-LBS-SEC <sup>2</sup> ] [Kg-M <sup>2</sup> ]	0.00027[0.000031]
STATIC FRICTION	Tf [IN-LBS] [Nm]	0.8[0.09]

\*25°C AMBIENT WITH A MAXIMUM CASE TEMPERATURE OF 85°C ON MOTOR. MOTOR MOUNTED ON A 1/2" X 1/2" X 1/2" ALUMINUM HEATSINK. THERMOSTAT IN STATOR WINDINGS WILL OPEN IF WINDING TEMPERATURE EXCEEDS 155°C. THIS ALLOWS FOR AN APPROXIMATE +10% HEADROOM IN THE CONTINUOUS TORQUE RATING BEFORE THERMOSTAT OPENS.

#### MECHANICAL NOTES:

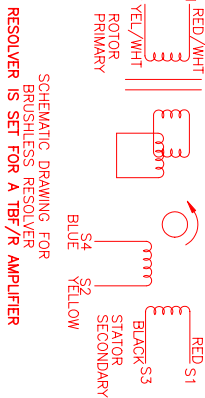
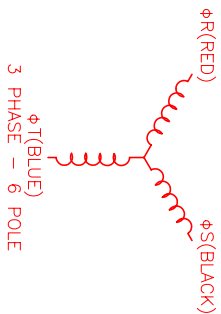
- AXIAL LOAD: 20 LBS MAX
- RADIAL LOAD: 35 LBS MAX @ 1" FROM FACE
- MOTOR SEALED TO IP65.
- MOTOR WEIGHT: 4.3 LBS. [ 2.0 Kg]
- MOTOR FINISH: BLACK EPOXY
- MOTOR OUTPUT SHAFT: STAINLESS STEEL
- MILLIMETERS (INCHES)
- THIS MOTOR'S OUTPUT KEY IS A PRESS FIT.



PT02E-14-18P(027)  
 MATING CONNECTOR:  
 PT06E-14-18S(476)

### CONNECTION CHART MOTOR/THERM/RESOLVER CONNECTOR: PT02E-14-18P(027) (270-00024)

MTR/RES/THERM	WIRE FUNCTION	WIRE COLOR	WIRE LEADS
A	$\phi$ R	RED	
B	$\phi$ S	BLACK	
C	$\phi$ T	BLUE	
D	PE GND	GRN/YEL	
U	THERM	BLACK	
N	THERM	BLACK	
H	SIN	YELLOW	
G	COS GND	BLACK	
S	COS	RED	
F	SIN GND	BLUE	
R	REF GND	YEL/WHI	
E	REF	RED/WHI	
J	RES SHLD	GRN/YEL	
K	-	-	
L	-	-	
M	-	-	
P	-	-	
T	-	-	



SCHEMATIC DRAWING FOR  
 BRUSHLESS RESOLVER  
 RESOLVER IS SET FOR A TBF/R AMPLIFIER

REV#	DESCRIPTION	DATE	APPD.
1	PRELIMINARY	1/29/02	MS

TITLE: B"/TRAP/230/MET/TBFR/CONN  
 DRAWING NUMBER: MPM722BTG7H1N

NO.	PART NUMBER	DESCRIPTION	QTY.
1	UNLID	UNLID	1
2	RESOLVER	RESOLVER	1
3	PT02E-14-18P(027)	MATING CONNECTOR	1
4	PT06E-14-18S(476)	MATING CONNECTOR	1
5	KEY	KEY	1
6	HEATSINK	HEATSINK	1
7	SCREW	SCREW	4
8	WASHER	WASHER	4
9	NUT	NUT	4
10	WASHER	WASHER	4
11	SCREW	SCREW	4
12	WASHER	WASHER	4
13	NUT	NUT	4
14	WASHER	WASHER	4
15	SCREW	SCREW	4
16	WASHER	WASHER	4
17	NUT	NUT	4
18	WASHER	WASHER	4
19	SCREW	SCREW	4
20	WASHER	WASHER	4
21	NUT	NUT	4
22	WASHER	WASHER	4
23	SCREW	SCREW	4
24	WASHER	WASHER	4
25	NUT	NUT	4
26	WASHER	WASHER	4
27	SCREW	SCREW	4
28	WASHER	WASHER	4
29	NUT	NUT	4
30	WASHER	WASHER	4
31	SCREW	SCREW	4
32	WASHER	WASHER	4
33	NUT	NUT	4
34	WASHER	WASHER	4
35	SCREW	SCREW	4
36	WASHER	WASHER	4
37	NUT	NUT	4
38	WASHER	WASHER	4
39	SCREW	SCREW	4
40	WASHER	WASHER	4
41	NUT	NUT	4
42	WASHER	WASHER	4
43	SCREW	SCREW	4
44	WASHER	WASHER	4
45	NUT	NUT	4
46	WASHER	WASHER	4
47	SCREW	SCREW	4
48	WASHER	WASHER	4
49	NUT	NUT	4
50	WASHER	WASHER	4
51	SCREW	SCREW	4
52	WASHER	WASHER	4
53	NUT	NUT	4
54	WASHER	WASHER	4
55	SCREW	SCREW	4
56	WASHER	WASHER	4
57	NUT	NUT	4
58	WASHER	WASHER	4
59	SCREW	SCREW	4
60	WASHER	WASHER	4
61	NUT	NUT	4
62	WASHER	WASHER	4
63	SCREW	SCREW	4
64	WASHER	WASHER	4
65	NUT	NUT	4
66	WASHER	WASHER	4
67	SCREW	SCREW	4
68	WASHER	WASHER	4
69	NUT	NUT	4
70	WASHER	WASHER	4
71	SCREW	SCREW	4
72	WASHER	WASHER	4
73	NUT	NUT	4
74	WASHER	WASHER	4
75	SCREW	SCREW	4
76	WASHER	WASHER	4
77	NUT	NUT	4
78	WASHER	WASHER	4
79	SCREW	SCREW	4
80	WASHER	WASHER	4
81	NUT	NUT	4
82	WASHER	WASHER	4
83	SCREW	SCREW	4
84	WASHER	WASHER	4
85	NUT	NUT	4
86	WASHER	WASHER	4
87	SCREW	SCREW	4
88	WASHER	WASHER	4
89	NUT	NUT	4
90	WASHER	WASHER	4
91	SCREW	SCREW	4
92	WASHER	WASHER	4
93	NUT	NUT	4
94	WASHER	WASHER	4
95	SCREW	SCREW	4
96	WASHER	WASHER	4
97	NUT	NUT	4
98	WASHER	WASHER	4
99	SCREW	SCREW	4
100	WASHER	WASHER	4

MTS Systems Corporation  
 Automation Division

NO.	PART NUMBER	DESCRIPTION	QTY.
1	UNLID	UNLID	1
2	RESOLVER	RESOLVER	1
3	PT02E-14-18P(027)	MATING CONNECTOR	1
4	PT06E-14-18S(476)	MATING CONNECTOR	1
5	KEY	KEY	1
6	HEATSINK	HEATSINK	1
7	SCREW	SCREW	4
8	WASHER	WASHER	4
9	NUT	NUT	4
10	WASHER	WASHER	4
11	SCREW	SCREW	4
12	WASHER	WASHER	4
13	NUT	NUT	4
14	WASHER	WASHER	4
15	SCREW	SCREW	4
16	WASHER	WASHER	4
17	NUT	NUT	4
18	WASHER	WASHER	4
19	SCREW	SCREW	4
20	WASHER	WASHER	4
21	NUT	NUT	4
22	WASHER	WASHER	4
23	SCREW	SCREW	4
24	WASHER	WASHER	4
25	NUT	NUT	4
26	WASHER	WASHER	4
27	SCREW	SCREW	4
28	WASHER	WASHER	4
29	NUT	NUT	4
30	WASHER	WASHER	4
31	SCREW	SCREW	4
32	WASHER	WASHER	4
33	NUT	NUT	4
34	WASHER	WASHER	4
35	SCREW	SCREW	4
36	WASHER	WASHER	4
37	NUT	NUT	4
38	WASHER	WASHER	4
39	SCREW	SCREW	4
40	WASHER	WASHER	4
41	NUT	NUT	4
42	WASHER	WASHER	4
43	SCREW	SCREW	4
44	WASHER	WASHER	4
45	NUT	NUT	4
46	WASHER	WASHER	4
47	SCREW	SCREW	4
48	WASHER	WASHER	4
49	NUT	NUT	4
50	WASHER	WASHER	4
51	SCREW	SCREW	4
52	WASHER	WASHER	4
53	NUT	NUT	4
54	WASHER	WASHER	4
55	SCREW	SCREW	4
56	WASHER	WASHER	4
57	NUT	NUT	4
58	WASHER	WASHER	4
59	SCREW	SCREW	4
60	WASHER	WASHER	4
61	NUT	NUT	4
62	WASHER	WASHER	4
63	SCREW	SCREW	4
64	WASHER	WASHER	4
65	NUT	NUT	4
66	WASHER	WASHER	4
67	SCREW	SCREW	4
68	WASHER	WASHER	4
69	NUT	NUT	4
70	WASHER	WASHER	4
71	SCREW	SCREW	4
72	WASHER	WASHER	4
73	NUT	NUT	4
74	WASHER	WASHER	4
75	SCREW	SCREW	4
76	WASHER	WASHER	4
77	NUT	NUT	4
78	WASHER	WASHER	4
79	SCREW	SCREW	4
80	WASHER	WASHER	4
81	NUT	NUT	4
82	WASHER	WASHER	4
83	SCREW	SCREW	4
84	WASHER	WASHER	4
85	NUT	NUT	4
86	WASHER	WASHER	4
87	SCREW	SCREW	4
88	WASHER	WASHER	4
89	NUT	NUT	4
90	WASHER	WASHER	4
91	SCREW	SCREW	4
92	WASHER	WASHER	4
93	NUT	NUT	4
94	WASHER	WASHER	4
95	SCREW	SCREW	4
96	WASHER	WASHER	4
97	NUT	NUT	4
98	WASHER	WASHER	4
99	SCREW	SCREW	4
100	WASHER	WASHER	4