

@ MOTOR DATA @ 230 VAC (TRAP)

MOTOR PARAMETERS	UNITS	VALUE
HORSEPOWER	HP	.41
KILOWATTS	KW	.31
MAX. OPERATING SPEED	N. MAX RPM	6800
SPEED @ RATED TORQUE	N RATED RPM	5500
* CONTINUOUS RATED TORQUE @ 6000 RPM	IN-LBS[Nm]	4.7[0.53]
* CONTINUOUS STALL TORQUE	IN-LBS[Nm]	5.8[0.70]
CONTINUOUS LINE CURRENT	AMPS	2.0
PEAK TORQUE	IN-LBS[Nm]	17.0[2.0]
PEAK CURRENT	AMPS	6.0
MAX. THEORETICAL ACCEL.	RAD/SEC ²	77.273
TORQUE SENSITIVITY	Kt IN-LBS/AMP[Nm/AMP]	2.91[0.329]
BACK EMF (LINE TO LINE)	Vrms/Krpm	25.9
D.C. RESISTANCE (P-P)	OHMS	11.0
INDUCTANCE (P-P)	MILLIHENRIES	17.0
ROTOR INERTIA W/BRAKE	Jm IN-LBS-SEC ² [Kg-M ²]	0.00022[0.00025]
STATIC FRICTION	Tf IN-LBS[Nm]	0.6[0.07]

*25°C AMBIENT WITH A MAXIMUM CASE TEMPERATURE OF 85°C ON MOTOR. MOTOR MOUNTED ON A 12" X 12" X 1/2" ALUMINUM HEATSINK. THERMOSTAT IN STATOR WINDINGS WILL OPEN IF WINDING TEMPERATURE EXCEEDS 155°C. THIS ALLOWS FOR AN APPROXIMATE +10% HEADROOM IN THE CONTINUOUS TORQUE RATING BEFORE THERMOSTAT OPENS.

MECHANICAL NOTES:

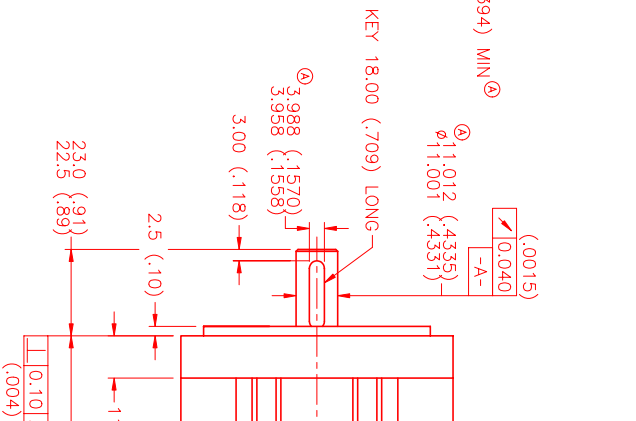
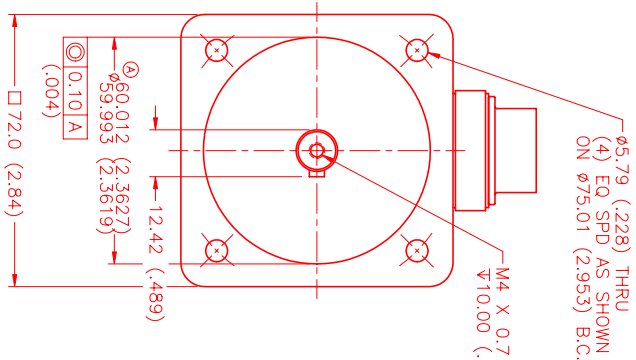
- AXIAL LOAD: 20 LBS. MAX
- RADIAL LOAD: 35 LBS. MAX @ 1" FROM FACE
- MOTOR SEALED TO IP65.
- MOTOR WEIGHT: 4.4 LBS. [2.0 Kg]
- MOTOR FINISH: BLACK EPOXY
- MOTOR OUTPUT SHAFT: STAINLESS STEEL
- MILLIMETERS (INCHES)
- THIS MOTOR'S OUTPUT KEY IS A PRESS FIT.

FAILSAFE BRAKE:

MIN. HOLDING TORQUE: 24 IN-LBS
INPUT VOLTAGE: 24 VOLTS

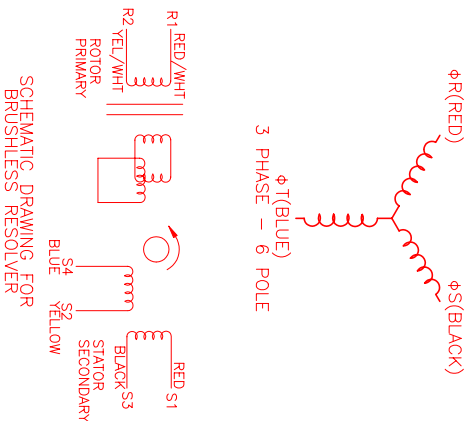
CONNECTION CHART
MOTOR/THERM/RES/BRK CONNECTOR:
PT02E-14-18P(027)
(270-00024)

MTR/RES/THERM	WIRE LEADS	
PIN	FUNCTION	WIRE COLOR
A	ΦR	RED
B	ΦS	BLACK
C	ΦT	BLUE
D	PE GND	GRN/YEL
U	THERM	BLACK
N	THERM	BLACK
H	SIN	YELLOW
G	COS GND	BLACK
S	COS	RED
F	SIN GND	BLUE
R	REF GND	YEL/WHI
E	REF	RED/WHI
J	RES SHLD	GRN/YEL
K	BRK (+)	□ IN4007
L	BRK (-)	□ IN4007
M	BRK SHLD	-
P	-	-
T	-	-



PT02E-14-18P(027)
MATING CONNECTOR:
PT06E-14-18S(476)

58 (2.3)
MAX



SCHEMATIC DRAWING FOR
BRUSHLESS RESOLVER

REV.	DESCRIPTION	DATE	APP.
A	PRELIMINARY	5/3/99	ELS
B	E.C.O. - 558	6/15/99	ELS
	E.C.O. - 558	2/2/00	AJS

REVISIONS

DATE: 5/19/2000
REVISED: MPM/21BTG7G1R

NO.	PART NUMBER	DESCRIPTION	QTY.
1	PT02E-14-18P(027)	MATING CONNECTOR	1
2	PT06E-14-18S(476)	MATING CONNECTOR	1

MTS Automation Division
MPS Systems Corporation
10000 W. 16th Ave., Suite 200
Denver, CO 80202
Tel: 303.440.9400
Fax: 303.440.9401
E-Mail: sales@mts.com
Web: www.mts.com

DATE: 2/25/99
DRAWN: MS
CHECKED: MS
APPROVED: MPM/21BTG7G1R

TITLE: "B" /TRAP /230 /MET /RES /CONV /BRK
MATERIAL: BRK

SCALE: 1:1