

**MOTOR DATA @ 230 VAC SINE**

MOTOR PARAMETERS	UNITS	VALUE
HORSEPOWER	HP RATED	1.8
KILOWATTS	KW RATED	1.33
MAX. OPERATING SPEED	N MAX	2100
SPEED @ RATED TORQUE	N RATED	1500
* CONTINUOUS RATED TORQUE @ 1500 RPM	N-LBS[Nm]	75.0[8.4]
* CONTINUOUS STALL TORQUE	N-LBS[Nm]	83.0[9.3]
CONTINUOUS LINE CURRENT	AMPS (RMS/φ)	4.7
PEAK CURRENT	AMPS (RMS/φ)	290.5[32.7]
MAX. THEORETICAL ACCEL.	AD/SEC <sup>2</sup>	16.5
TORQUE SENSITIVITY	Kt (N-LBS/AMPS/φ)(Nm/AMP/RMS/φ)	44.015
BACK EMF (LINE TO LINE)	Vrms/Krpm	17.5[1.98]
D.C. RESISTANCE (P-P)	OHMS	110.0
INDUCTANCE (P-P)	MILLIHENRIES	1.8
ROTOR INERTIA	Jm (N-LBS-SEC <sup>2</sup> )(Kg-M <sup>2</sup> )	12.6
STATIC FRICTION	Tf (N-LBS)(Nm)	.0066[.00074]

\*25°C AMBIENT WITH A MAXIMUM CASE TEMPERATURE OF 100°C ON MOTOR. MOTOR MOUNTED ON A 12" X 12" X 1/2" ALUMINUM HEATSINK. THERMOSTAT IN STATOR WINDINGS WILL OPEN IF WINDING TEMPERATURE EXCEEDS 155°C. THIS ALLOWS FOR AN APPROXIMATE +10% HEADROOM IN THE CONTINUOUS TORQUE RATING BEFORE THERMOSTAT OPENS.

**MECHANICAL NOTES:**

1. AXIAL LOAD: 50 LBS MAX
2. RADIAL LOAD: 100 LBS MAX @ 1" FROM FACE
3. MOTOR SEALED TO IP65.
4. MOTOR WEIGHT: 26.6 LBS. [ 12.1 kg]
5. MOTOR FINISH: BLACK EPOXY
6. MOTOR OUTPUT SHAFT: STAINLESS STEEL
7. INCHES (MILLIMETERS)

**ENCODER: (290-00073)**

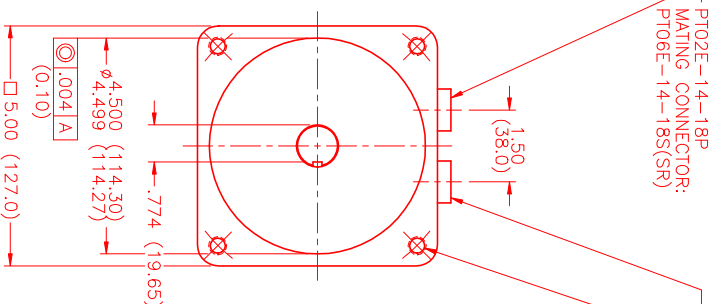
OIH48-2048P6-L6-5V

**CONNECTION CHART**  
MOTOR CONNECTOR:  
PT02E-14-5P  
(270-00026)

PIN	WIRE FUNCTION	WIRE COLOR
A	φR	RED
B	φS	BLACK
C	φT	BLUE
D	PE GND	GRN/YEL
E	-	-

**ENCODER/THERM CONNECTOR:**  
PT02E-14-18P  
(270-00024)

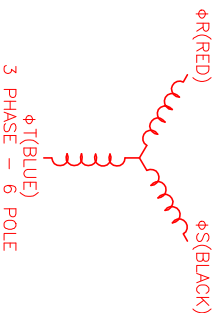
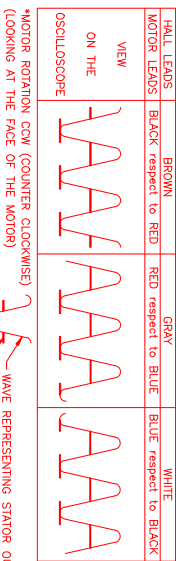
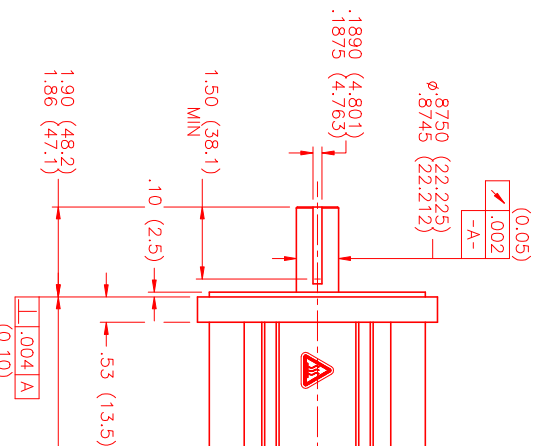
PIN	WIRE FUNCTION	WIRE COLOR
T	GROUND	BLACK
K	+5VDC	RED
B	CH A	BLUE
C	CH A	BLUE/BLK
N	CH B	GREEN
P	CH B	GREEN/BLK
M	CH Z	YELLOW
U	CH Z	YEL/BLK
E	CH U	BROWN
R	CH U	BROWN/BLK
F	CH V	GRAY
S	CH V	GRAY/BLK
G	CH W	WHITE
H	CH W	WHITE/BLK
D	GND/CABLE	SHIELD
A	THERM	BLACK
L	THERM	BLACK
J	GND	GRN/YEL



PT02E-14-18P  
MATING CONNECTOR:  
PT06E-14-18S(SR)

PT02E-14-5P  
MATING CONNECTOR:  
PT06E-14-5S(SR)

3/8-16UNC-2B THRU  
(4) EO SPD AS SHOWN  
ON Ø5.875 (149.23) B.C.



NO.	PART NUMBER	DESCRIPTION	QTY.
UNLESS SPECIFIED			
DESIGN: 004 & 200			
REVISION: 3 & 200			
DATE: 10/21/98			
SCALE: 1/2"			
DRAWN: LIN			
CHECKED: LIN			
APPROVED: [Signature]			
DATE: 10/21/98			
SCALE: 1/2"			
DRAWN: MPM1142BSG6JY1N			
CHECKED: [Signature]			
APPROVED: [Signature]			

REV.	DESCRIPTION	DATE	APPD.
PRELIMINARY		1/27/00	LIN

DATE: 10/21/98  
REV: 3  
SCALE: 1/2"  
DRAWN: MPM1142BSG6JY1N