

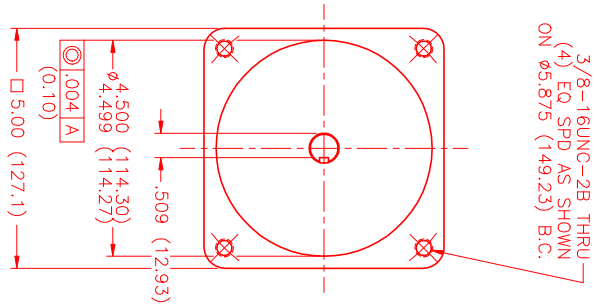
MOTOR DATA @ 460 VAC (TRAP)

MOTOR PARAMETERS	UNITS	VALUE
HORSEPOWER	HP	1.2
KILOWATTS	KW	.88
MAX. OPERATING SPEED	N MAX RPM	2100
SPEED @ RATED TORQUE	N RATED RPM	1500
* CONTINUOUS RATED TORQUE @ 1500 RPM	IN-LBS[Nm]	50.0[5.6]
* CONTINUOUS STALL TORQUE	IN-LBS[Nm]	54.0[6.1]
CONTINUOUS LINE CURRENT	AMPS	2.2
PEAK CURRENT	AMPS	189.1[21.3]
MAX. THEORETICAL ACCEL.	RAD/SEC ²	54,200
TORQUE SENSITIVITY	K[IN-LBS/AMP][Nm/AMP]	24.8[2.84]
BACK EMF (LINE TO LINE)	Vrms/krpm	220.0
D.C. RESISTANCE (P-P)	OHMS	13.3
INDUCTANCE (P-P)	MILLIHENRIES	99.0
ROTOR INERTIA	Jm [IN-LBS-SEC ²][Kg-M ²]	.0035[.00039]
STATIC FRICTION	Tf [IN-LBS][Nm]	1.0[0.11]

*25°C AMBIENT WITH A MAXIMUM CASE TEMPERATURE OF 100°C ON MOTOR. MOTOR MOUNTED ON A 12" X 12" X 1/2" ALUMINUM HEATSINK. THERMOSTAT IN STATOR WINDINGS WILL OPEN IF WINDING TEMPERATURE EXCEEDS 155°C. THIS ALLOWS FOR AN APPROXIMATE +10% HEADROOM IN THE CONTINUOUS TORQUE RATING BEFORE THERMOSTAT OPENS.

MECHANICAL NOTES:

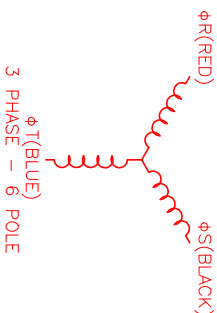
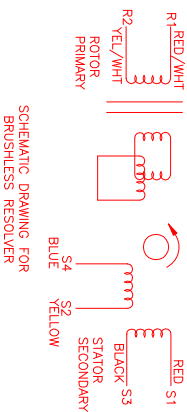
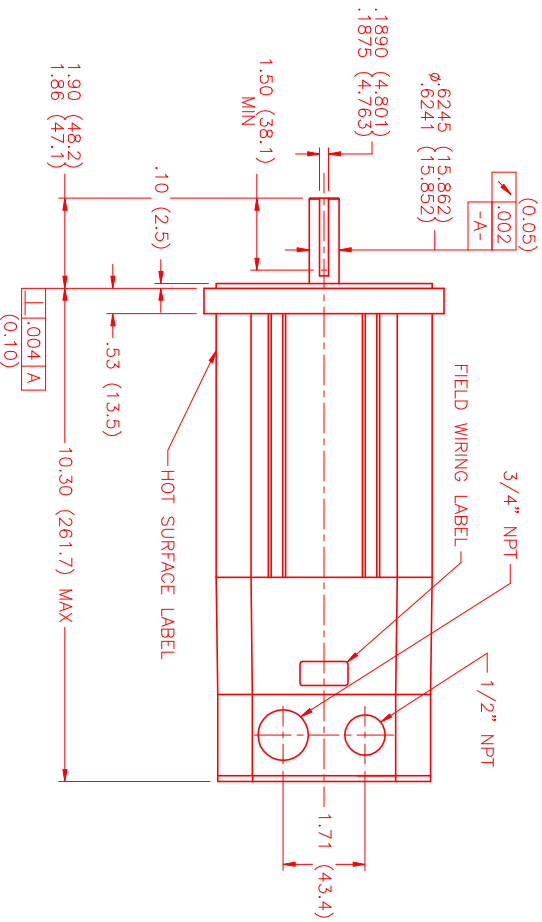
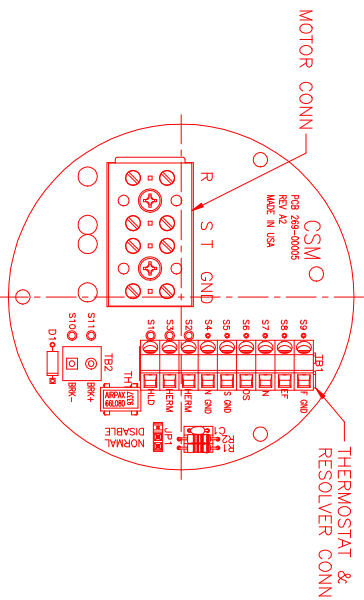
1. AXIAL LOAD: 50 LBS MAX
2. RADIAL LOAD: 100 LBS MAX @ 1" FROM FACE
3. MOTOR SEALED TO IP65.
4. MOTOR WEIGHT: 20.8 LBS. [9.4 Kg]
5. MOTOR FINISH: BLACK EPOXY
6. MOTOR OUTPUT SHAFT: STAINLESS STEEL
7. INCHES (MILLIMETERS)



CONNECTION CHART

MOTOR WIRE LEADS	WIRE FUNCTION	WIRE COLOR
TERMINAL	ΦR	RED
	ΦS	BLACK
	ΦT	BLUE
	PE GND	GRN/YEL

RES/THERM WIRE LEADS	WIRE FUNCTION	WIRE COLOR
TERMINAL	REF GND	YEL/WHI
S9	REF GND	RED/WHI
S8	REF	RED/WHI
S7	SIN	YELLOW
S6	COS	RED
S5	COS GND	BLACK
S4	SIN GND	BLUE
S3	THERM	BLACK
S2	THERM	BLACK
S1	RES SHLD	GRN/YEL



REV. 1	DESCRIPTION	DATE	APPD.
PRELIMINARY		7/2/99	MVS

MTS-07/TRAP/460/ENG/RES/NPT
 DRAWING NUMBER: MPM1141DTUG63N

NO. 1	PART NUMBER	DESCRIPTION	QTY.
UNLESS SPECIFIED			
DESIGNAL. DATE: 4/2000	MTS Systems Corporation Automation Division		
DESIGNAL. DATE: 4/2000	RESPONSIBILITY: DESIGN OF THIS DRAWING IS THE RESPONSIBILITY OF THE DESIGNER. THE USER OF THIS DRAWING SHALL BE RESPONSIBLE FOR THE PROPER USE OF THE INFORMATION CONTAINED HEREIN. THE USER SHALL BE RESPONSIBLE FOR THE PROPER USE OF THE INFORMATION CONTAINED HEREIN. THE USER SHALL BE RESPONSIBLE FOR THE PROPER USE OF THE INFORMATION CONTAINED HEREIN.		
APPROVED: MVS	TITLE: "D"/TRAP/460/ENG/RES/NPT		
DATE: 7/2/99	MATERIAL:		
CHECKED:	DRAWING NUMBER: MPM1141DTUG63N		
SCALE: 1/2:1			