

MOTOR DATA @ 460 VAC (TRAP)

MOTOR PARAMETERS	UNITS	VALUE
HORSEPOWER	HP RATED	2.1
	KW RATED	1.6
MAX. OPERATING SPEED	N MAX	4200
SPEED @ RATED TORQUE	N RATED	3000
* CONTINUOUS RATED TORQUE @ 3000 RPM	N-LEBS [Nm]	45.0 [5.1]
* CONTINUOUS STALL TORQUE	N-LEBS [Nm]	54.0 [6.1]
CONTINUOUS LINE CURRENT	AMPS	4.4
PEAK CURRENT	AMPS	15.3
MAX. THEORETICAL ACCEL	RAD/SEC ²	54,029
TORQUE SENSITIVITY	Kt N-LEBS/AMP[Nm/AMP]	12.4 [1.42]
BACK EMF (LINE TO LINE)	Vrms/Krpm	110.0
D.C. RESISTANCE (P-P)	OHMS	3.2
INDUCTANCE (P-P)	MILLIHENRIES	24.0
ROTOR INERTIA	IN-LEBS-SEC ² [Kg-M ²]	.00351 [0.00039]
STATIC FRICTION	IN-LEBS [Nm]	1.0 [0.11]

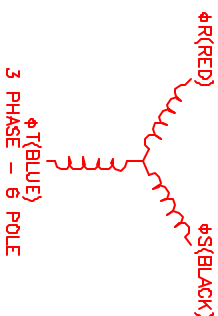
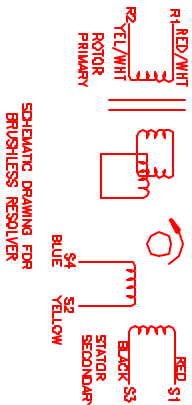
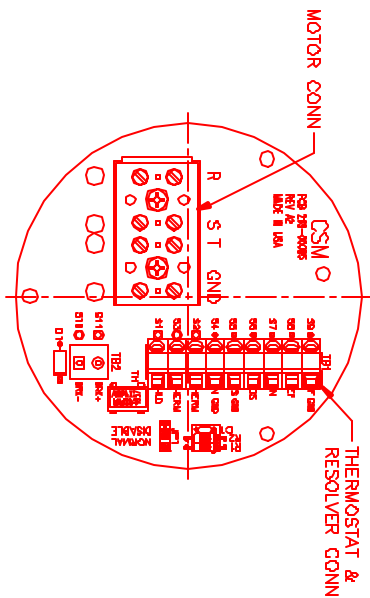
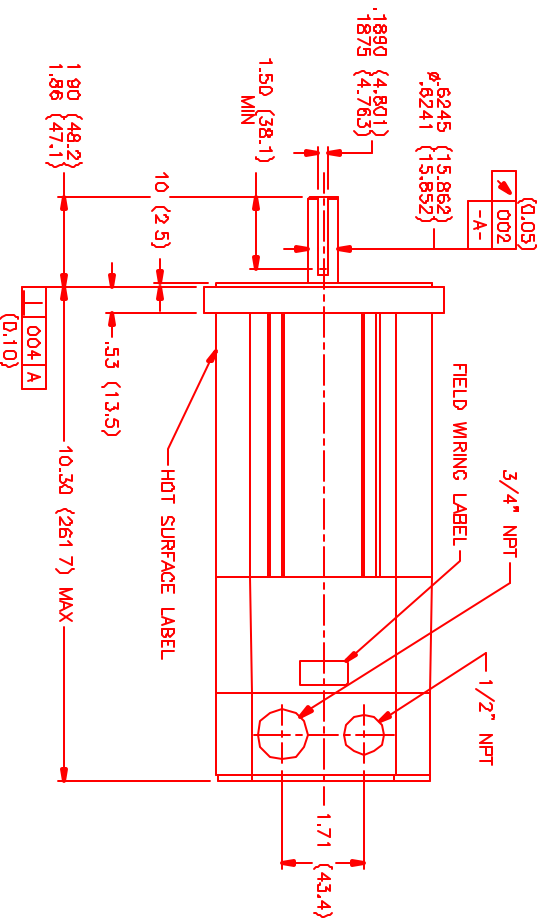
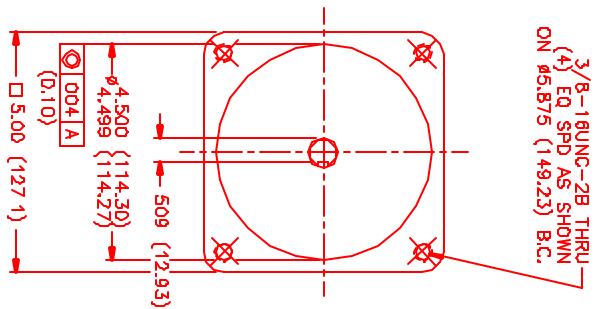
CONNECTION CHART

MOTOR WIRE LEADS	RES/THERM WIRE LEADS
WIRE FUNCTION	WIRE FUNCTION
WIRE COLOR	WIRE COLOR
S9	REF. GND
S8	REF
S7	SIN
S6	COS
S5	COS GND
S4	SIN GND
S3	THERM
S2	THERM
S1	RES SHLD

*25°C AMBIENT WITH A MAXIMUM CASE TEMPERATURE OF 100°C ON MOTOR. MOTOR MOUNTED ON A 12" X 12" X 1/2" ALUMINUM HEATSINK. THERMOSTAT IN STATOR WINDINGS WILL OPEN IF WINDING TEMPERATURE EXCEEDS 155°C. THIS ALLOWS FOR AN APPROXIMATE +10% HEADROOM IN THE CONTINUOUS TORQUE RATING BEFORE THERMOSTAT OPENS.

MECHANICAL NOTES:

1. AXIAL LOAD: 50 LBS MAX
2. RADIAL LOAD: 100 LBS MAX @ 1" FROM FACE
3. MOTOR SEALED TO IP65.
4. MOTOR WEIGHT: 20.8 LBS. [9.4 Kg]
5. MOTOR FINISH: BLACK EPOXY
6. MOTOR OUTPUT SHAFT: STAINLESS STEEL
7. INCHES (MILLIMETERS)



NO.	PART NUMBER	DESCRIPTION	QTY.
1	MPS Systems Corporation		
REVISIONS REV. 1 REVISION DATE APPR. PRELIMINARY 5/12/00 LIN			
TITLE: °C/TRAP/460/ENG/RES/NPT DATE: 7/22/98 DRAWN: MNS CHECKED: MNS APPROVED: MNS			
NO. 1 PART NUMBER DESCRIPTION QTY. 1 MPS Systems Corporation Automation Division 10000 W. 14th St., Suite 100, Denver, CO 80202 TEL: 303.751.1000 FAX: 303.751.1001 WWW.MPS.COM			
DRAWING NUMBER: MPM1141CTJ6G3N SCALE: 1/2=1			