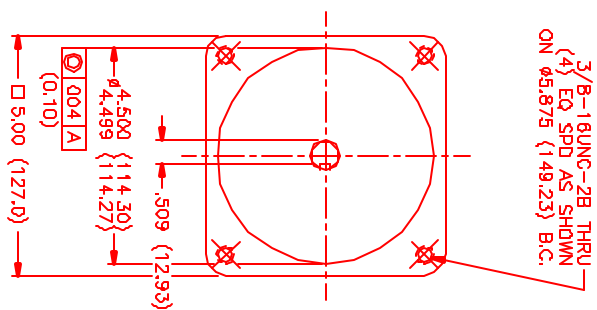


MOTOR DATA @ 460 VAC (TRAP)

MOTOR PARAMETERS	UNITS	VALUE
MOTOR HORSEPOWER	HP RATED	1.3
	KW RATED	1.0
MAX OPERATING SPEED	N MAX	3600
SPEED @ RATED TORQUE	N RATED	3000
* CONTINUOUS RATED TORQUE @ 3000 RPM	IN-LBS/Nm	28.0/3.2
* CONTINUOUS STALL TORQUE	IN-LBS/Nm	38.0/4.3
CONTINUOUS LINE CURRENT	AMPS	3.0
PEAK TORQUE	IN-LBS/Nm	114.0/12.9
PEAK CURRENT	AMPS	9.0
MAX THEORETICAL ACCEL	RA0/SEC ²	49,585
TORQUE SENSITIVITY	Kt IN-LBS/AMP/Nm/AMP ²	12.4/1.401
BACK EMF (LINE TO LINE)	Vrms/Krpm	110.0
D.C. RESISTANCE (P-P)	OHMS	13.5
INDUCTANCE (P-P)	MILLIHENRIES	62.1
ROTOR INERTIA W/BRAKE	Jm IN-LBS-SEC ² /KG-M ²	.0023/.000261
STATIC FRICTION	Tf IN-LBS/Nm	.8/.09

*25°C AMBIENT WITH A MAXIMUM CASE TEMPERATURE OF 100°C ON MOTOR. MOTOR MOUNTED ON A 12" X 12" X 1/2" ALUMINUM HEATSINK. THERMOSTAT IN STATOR WINDINGS WILL OPEN IF WINDING TEMPERATURE EXCEEDS 155°C. THIS ALLOWS FOR AN APPROXIMATE +10% HEADROOM IN THE CONTINUOUS TORQUE RATING BEFORE THERMOSTAT OPENS.

- MECHANICAL NOTES:**
- AXIAL LOAD: 50 LBS MAX
 - RADIAL LOAD: 100 LBS MAX @ 1" FROM FACE
 - MOTOR SEALED TO IP65.
 - MOTOR WEIGHT: 20 LBS. [9.1 Kg]
 - MOTOR FINISH: BLACK EPOXY
 - MOTOR OUTPUT SHAFT: STAINLESS STEEL
 - INCHES (MILLIMETERS)

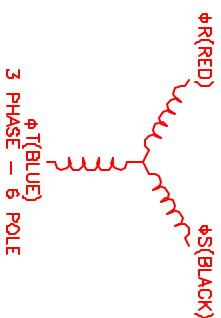
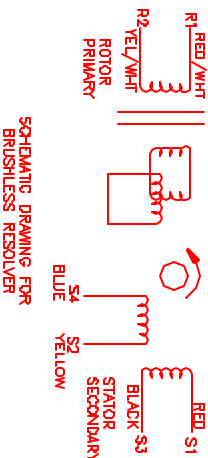
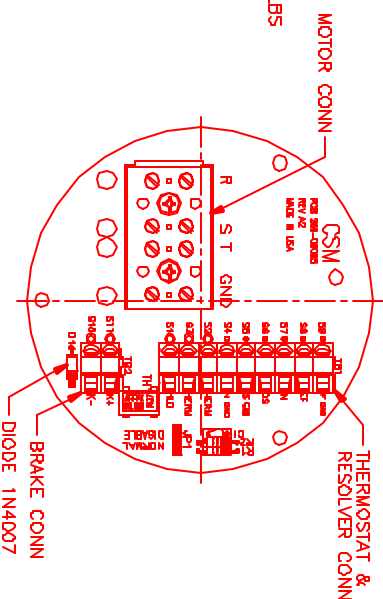
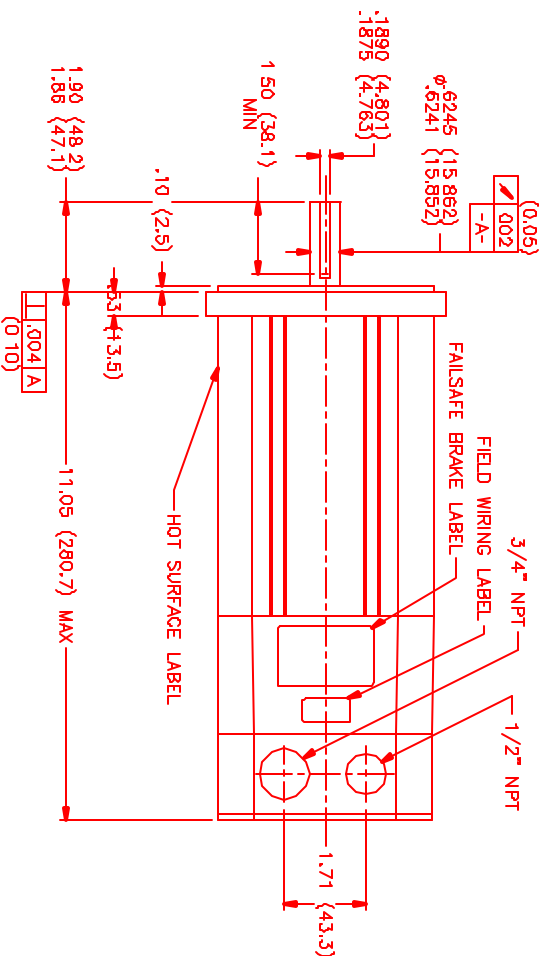


CONNECTION CHART

MOTOR WIRE LEADS	WIRE FUNCTION	WIRE COLOR
TERMINAL	FUNCTION	COLOR
-	ΦR	RED
-	ΦS	BLACK
-	ΦT	BLUE
-	PE GND	GRN/YEL

RES/BRAKE WIRE LEADS	WIRE FUNCTION	WIRE COLOR
TERMINAL	FUNCTION	COLOR
S11	BRK (+)	BLUE
S10	BRK (-)	BLUE
S9	REF GND	YEL/WHI
S8	REF	RED/WHI
S7	SIN	YELLOW
S6	COS	RED
S5	COS GND	BLACK
S4	SIN GND	BLUE
S3	THERM	BLACK
S2	THERM	BLACK
S1	RES SHLD	GRN/YEL

FAILSAFE BRAKE: (290-00006)
MIN. HOLDING TORQUE: 240 IN-LBS
INPUT VOLTAGE: 24 VOLTS



NO.	PART NUMBER	DESCRIPTION	QTY.
1	MPM1140CTJ6G3R	MPS Systems Corporation Automation Division	1
TITLE: °C/TRP/460/ENC/RES/NPT/BRK DATE: 3/28/01 DRAWN: AJS CHECKED: JLS APPROVED: JLS PART NUMBER: MPM1140CTJ6G3R QUANTITY: 1/2:1			